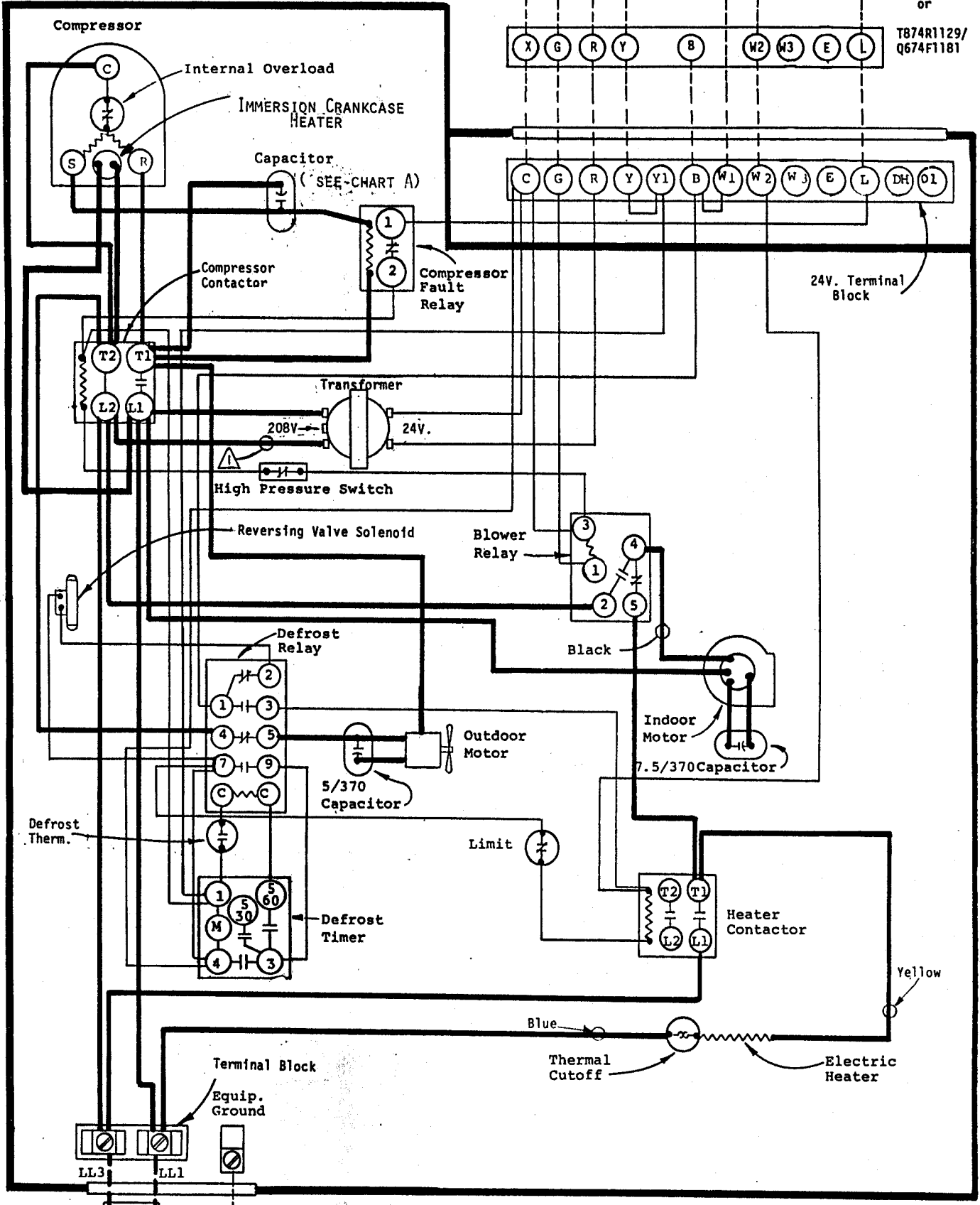
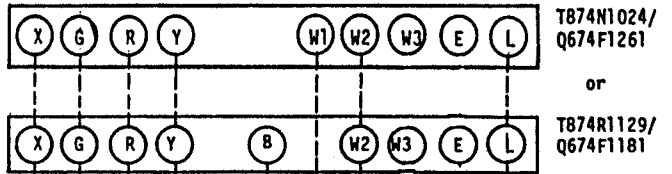


CHART A	
MODEL	CAPACITOR
18WH6	25/370
24WH6	30/370



⚠ For 208V operation move this wire to 208V transformer tap.

USE COPPER OR ALUMINUM WIRE

	FACTORY WIRING	FIELD WIRING
Low Voltage	—————	- - - - -
High Voltage	—————	- - - - -

230/208-60-1

4011-120P