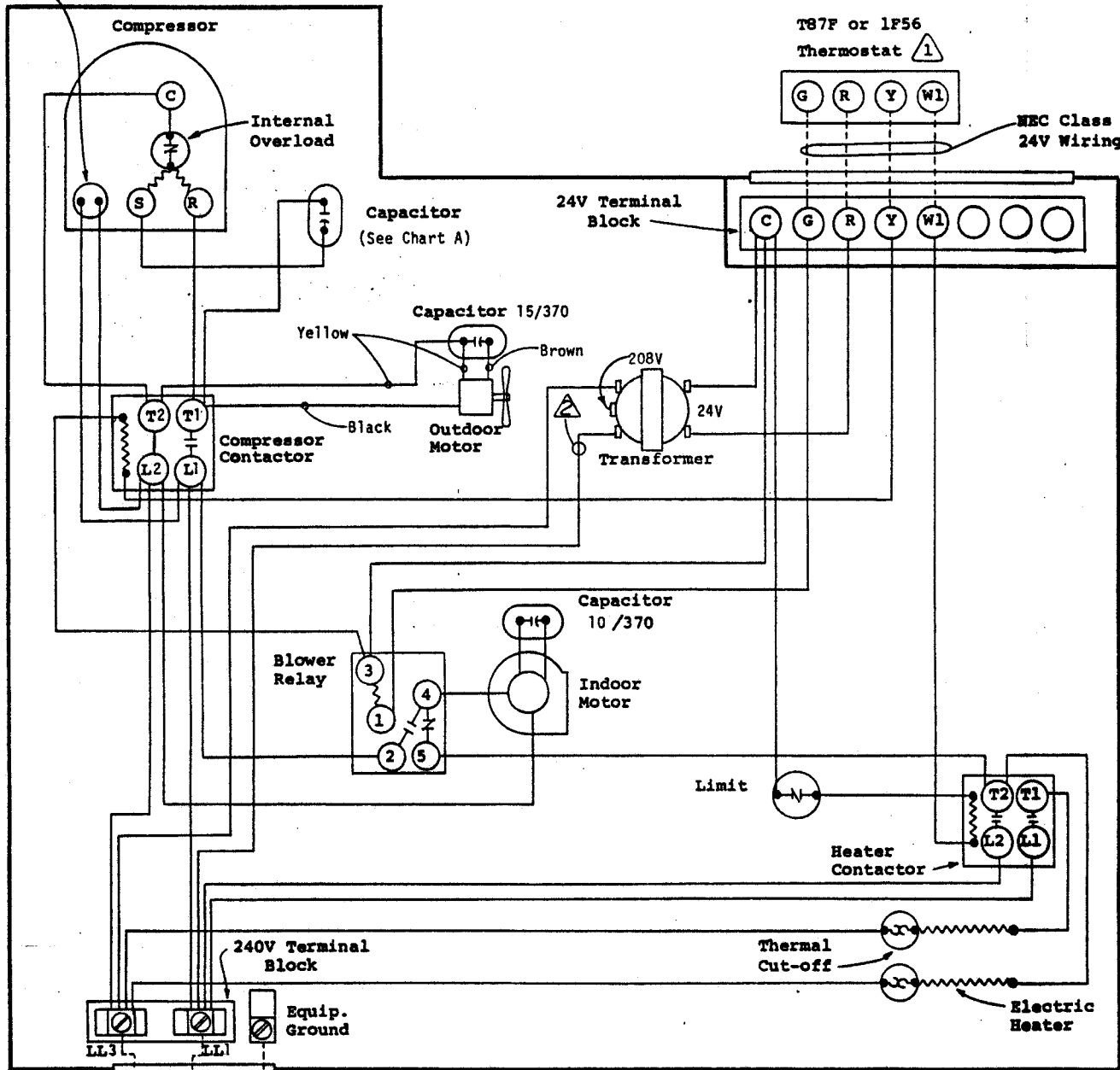


CHART A		
42WA	49WA	60WA
35/440	40/440	45/440

Immersion  
Crankcase  
Heater



T87F or 1F56  
Thermostat

NEC Class 2  
24V Wiring

Capacitor  
(See Chart A)

24V Terminal  
Block

Capacitor 15/370

Yellow

Brown

Black

Outdoor  
Motor

208V

24V

Transformer

Compressor  
Contactor

Capacitor  
10/370

Blower  
Relay

Indoor  
Motor

Limit

Heater  
Contactor

24V Terminal  
Block

Thermal  
Cut-off

Equip.  
Ground

Electric  
Heater

⚠ Set heat anticipator at .40A.

⚠ For 208V operation move this wire to 208V transformer tap.

Fused  
Disconnect  
Switch

USE COPPER OR  
ALUMINUM WIRE

230/208-60-1

Factory Wiring

Field Wiring

MODEL  
42WA, 49WA, 60WA  
w/10KW

4010-130 H