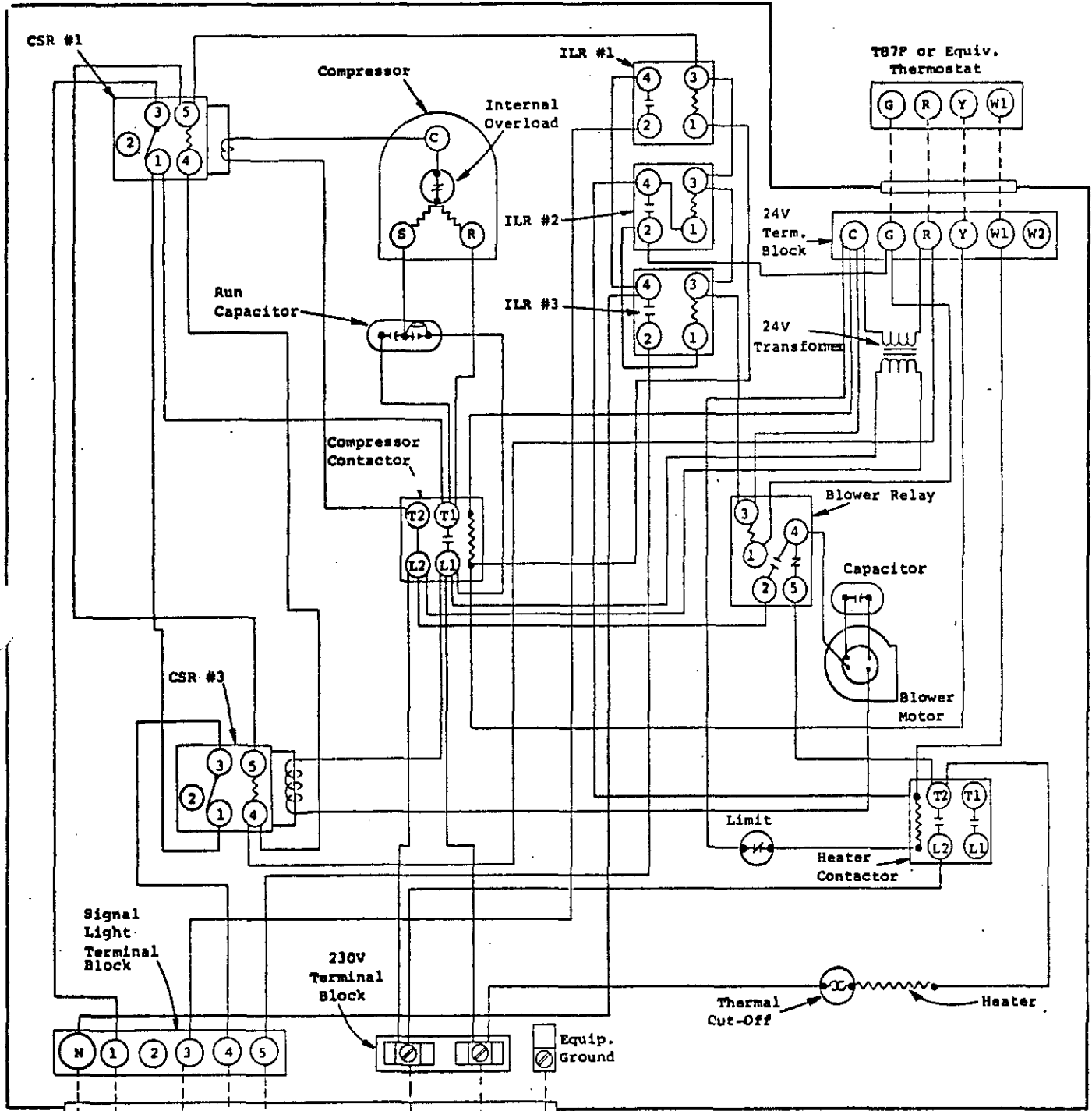


**CURRENT SENSING RELAYS**

C.S.R. #1 - Compressor

C.S.R. #3 - Indoor Motor



Neutral (Earth)

Indoor Motor Signal Light 115 VAC

Compressor Motor Signal Light 115 VAC

240/220-50-1

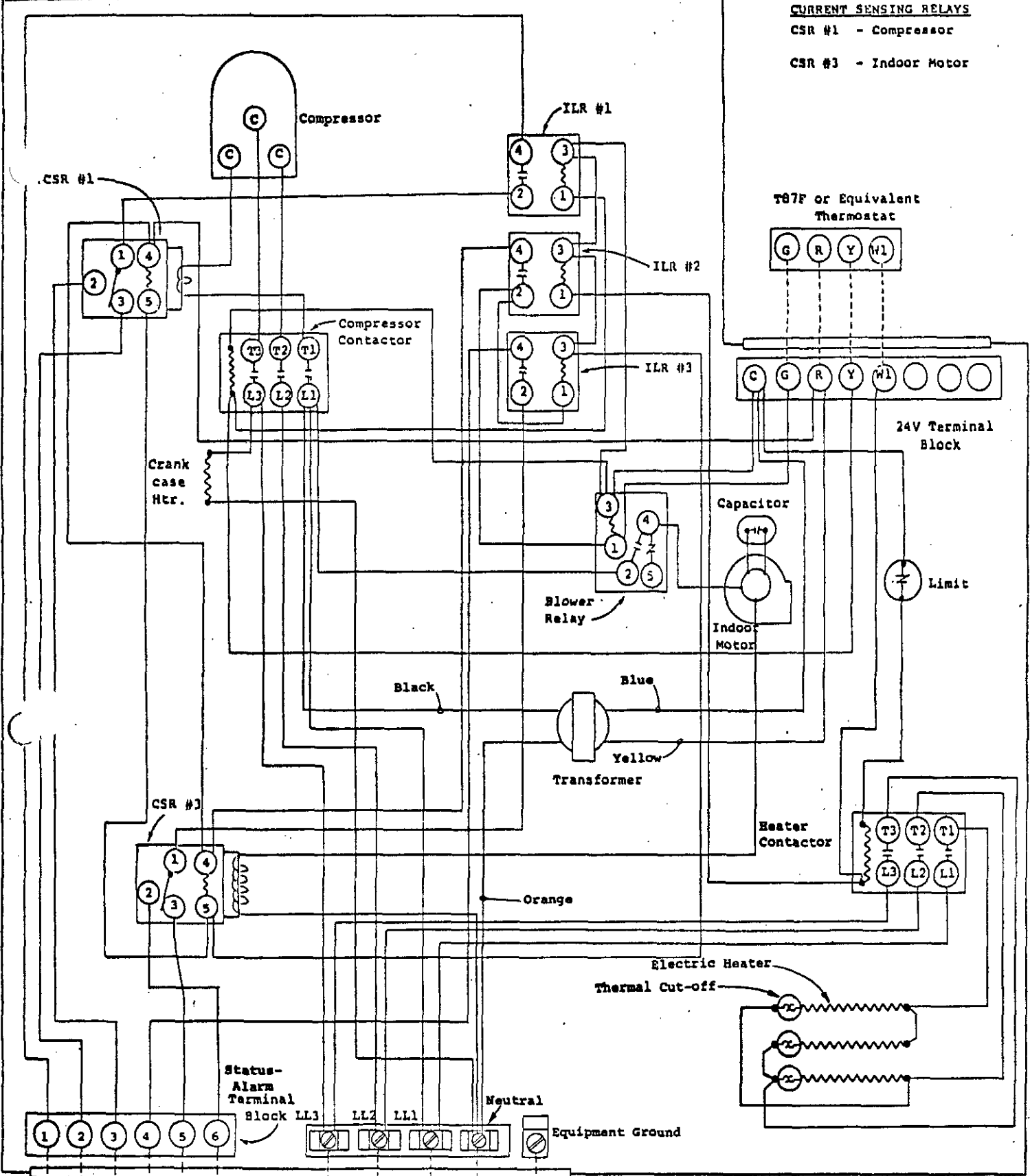
USE COPPER OR ALUMINUM WIRE

Model 18WA1 w/4kw

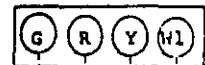
**CURRENT SENSING RELAYS**

CSR #1 - Compressor

CSR #3 - Indoor Motor



T87F or Equivalent Thermostat



24V Terminal Block

Capacitor

Limit

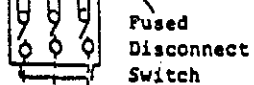
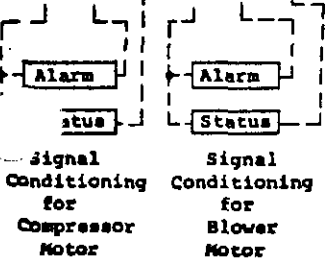
Yellow Transformer

Heater Contactor

Status-Alarm Terminal Block

Neutral

Equipment Ground



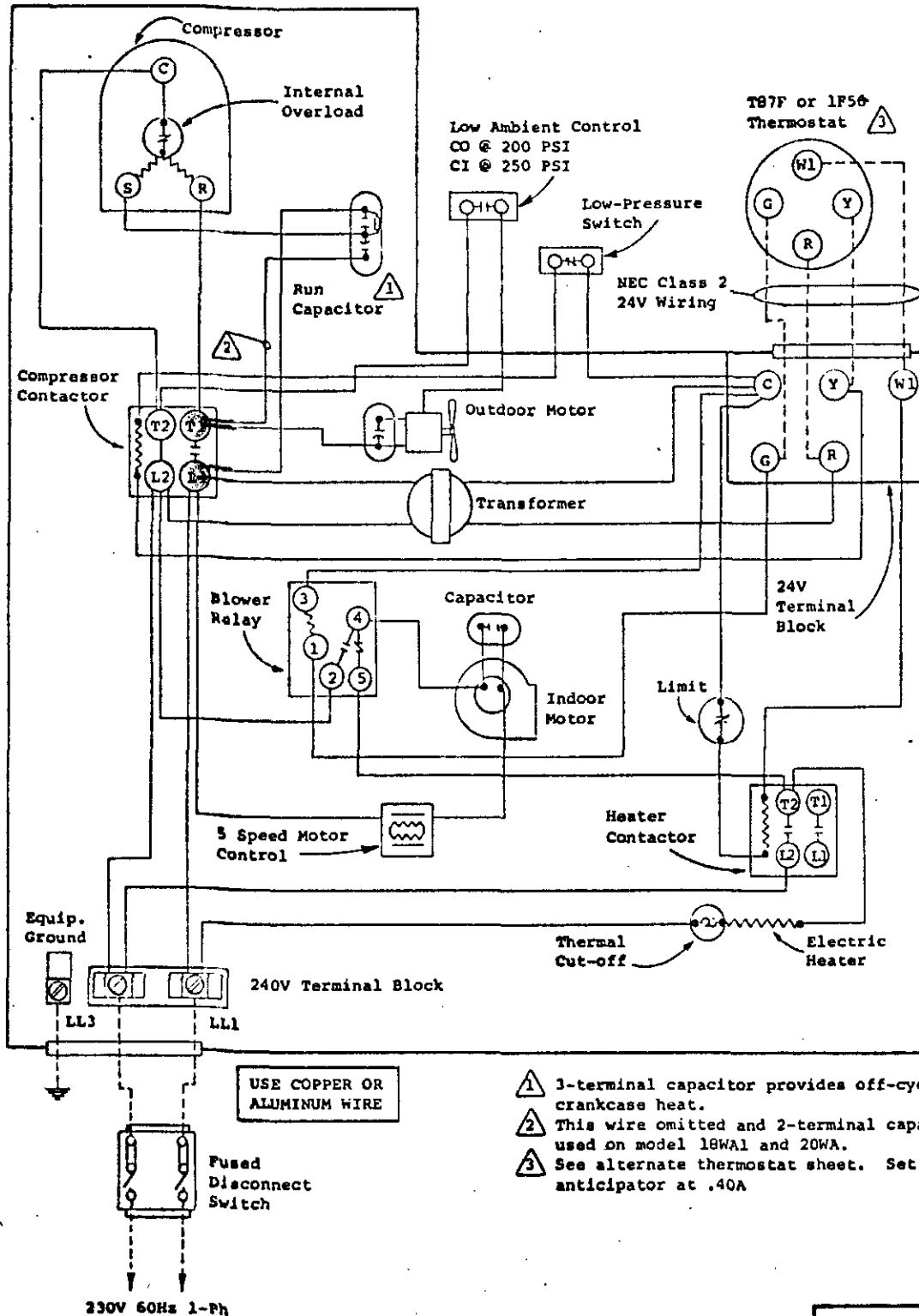
USE COPPER OR ALUMINUM WIRE

Factory Wiring  
Field Wiring

MODEL 24WA-BL19  
w/4.5Kv

4007-801 Rev. C

415/380-50-3

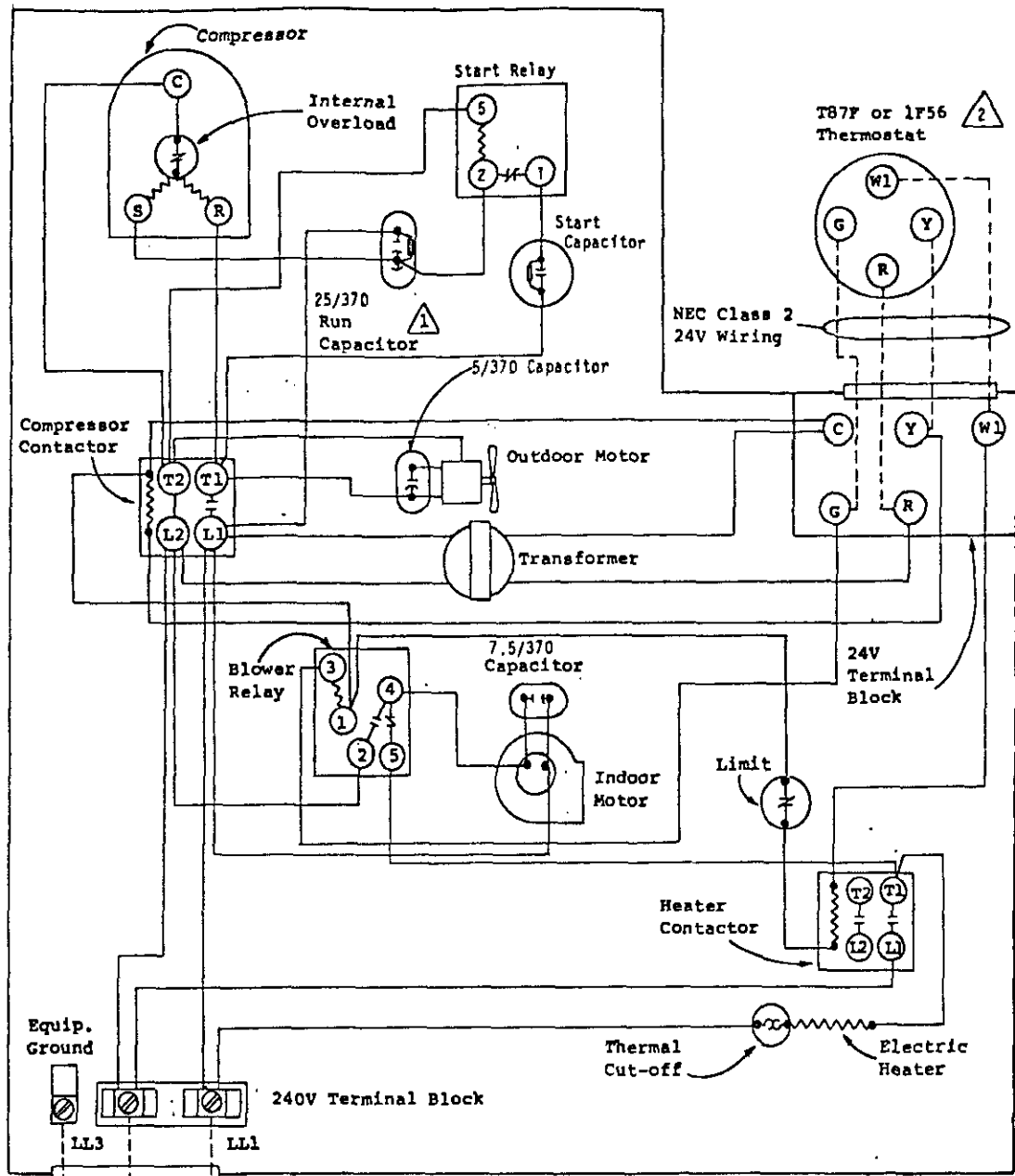


USE COPPER OR ALUMINUM WIRE

- ⚠ 1-terminal capacitor provides off-cycle crankcase heat.
- ⚠ 2 This wire omitted and 2-terminal capacitor used on model 18WA1 and 20WA.
- ⚠ 3 See alternate thermostat sheet. Set heat anticipator at .40A

Models  
18WA1, 20WA, 24WA1  
w/4 or 5Kw

ory Wiring ———  
ield Wiring - - - - -



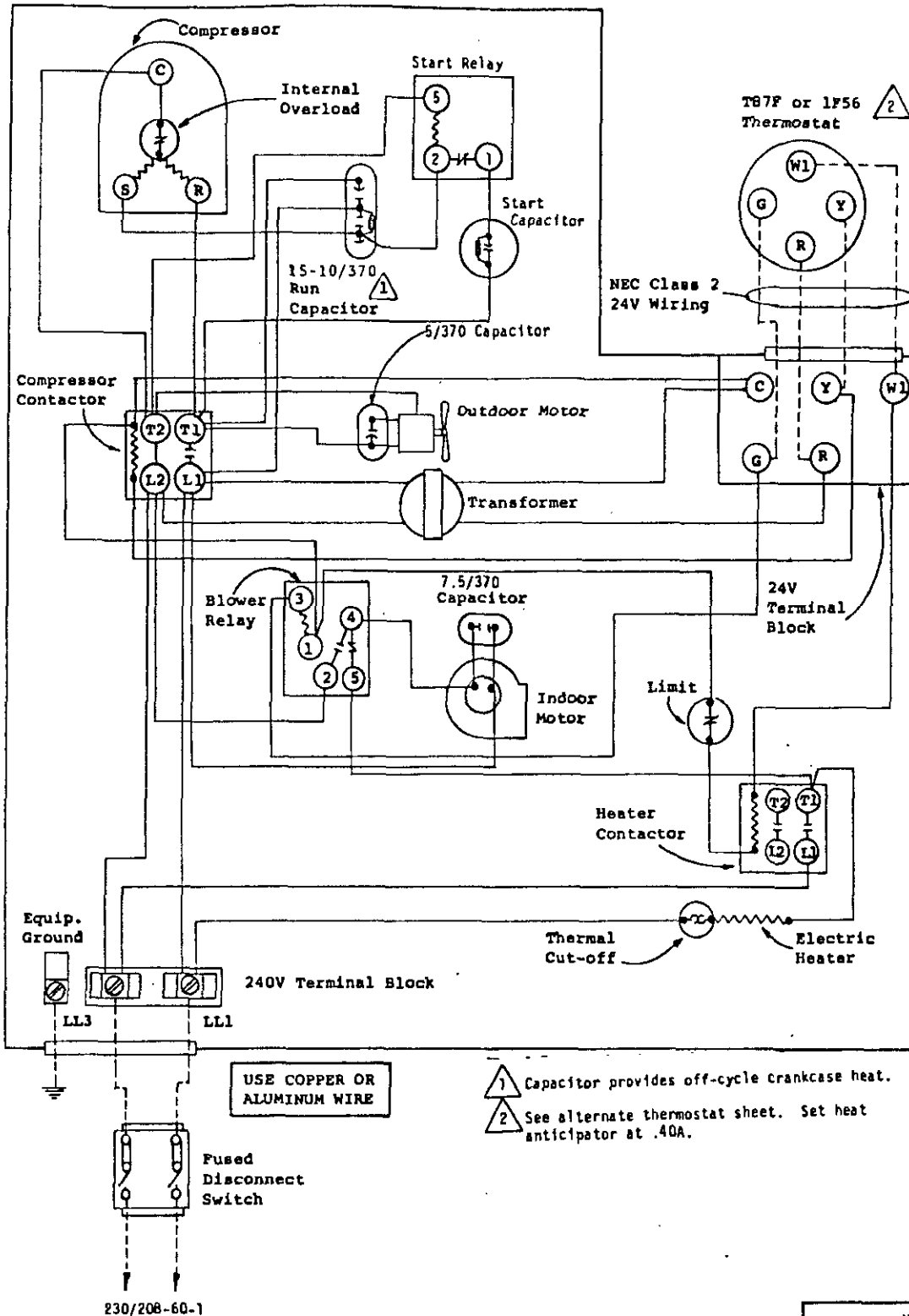
USE COPPER OR ALUMINUM WIRE

- 1 Capacitor provides off-cycle crankcase heat.
- 2 See alternate thermostat sheet. Set heat anticipator at .40A.

230/208-60-1

MODELS  
20WA1 & 24WA2  
w/4 or 5Kw

Factory Wiring \_\_\_\_\_  
Field Wiring - - - - -

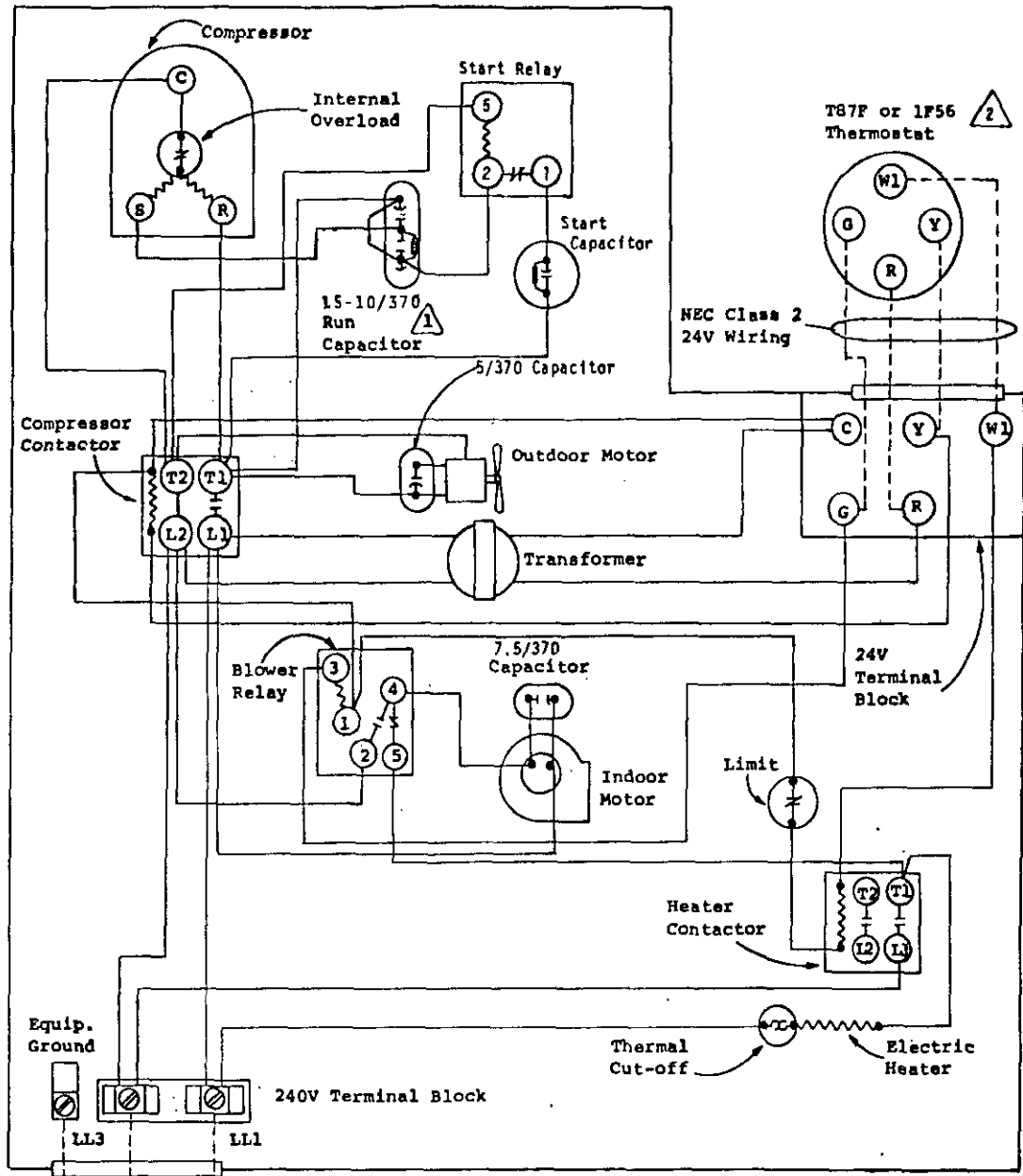


USE COPPER OR ALUMINUM WIRE

- 1 Capacitor provides off-cycle crankcase heat.
- 2 See alternate thermostat sheet. Set heat anticipator at .40A.

MODELS  
20WA1 & 24WA2  
w/4 or 5kw

Factory Wiring ———  
Field Wiring - - - - -



USE COPPER OR ALUMINUM WIRE

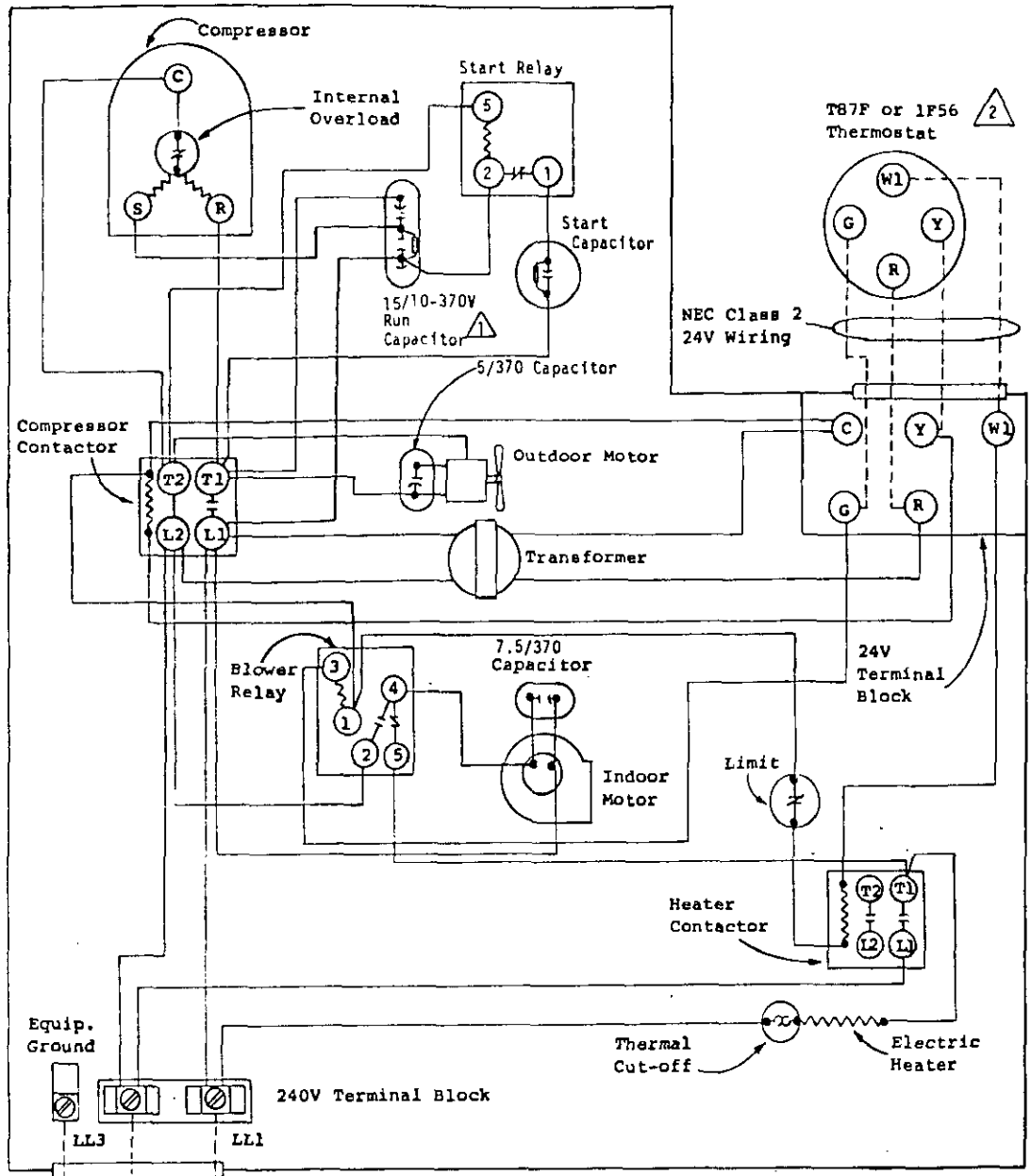
- 1 Capacitor provides off-cycle crankcase heat.
- 2 See alternate thermostat sheet. Set heat anticipator at .40A.

Fused Disconnect Switch

230/208-60-1

MODELS  
20WA1 & 24WA2  
w/4 or 5Kw

Factory Wiring ———  
Field Wiring - - - - -



USE COPPER OR ALUMINUM WIRE

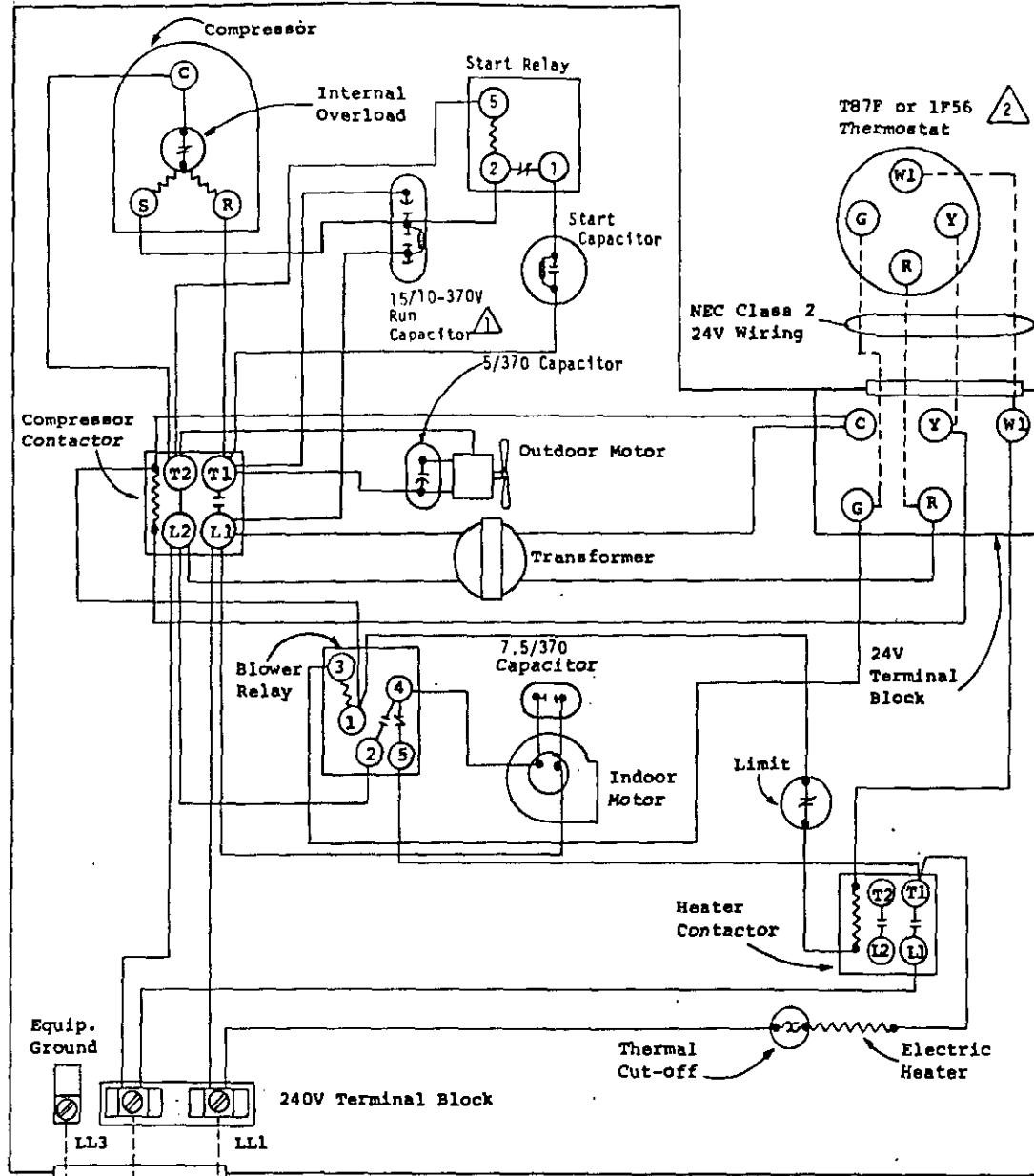
- 1 Capacitor provides off-cycle crankcase heat.
- 2 See alternate thermostat sheet. Set heat anticipator at .40A.

Fused Disconnect Switch

230/208-60-1

MODELS  
20WA1 & 24WA2  
w/4 or 5kw

Factory Wiring ———  
Field Wiring - - - - -



USE COPPER OR ALUMINUM WIRE

- ⚠️ 1 Capacitor provides off-cycle crankcase heat.
- ⚠️ 2 See alternate thermostat sheet. Set heat anticipator at .40A.

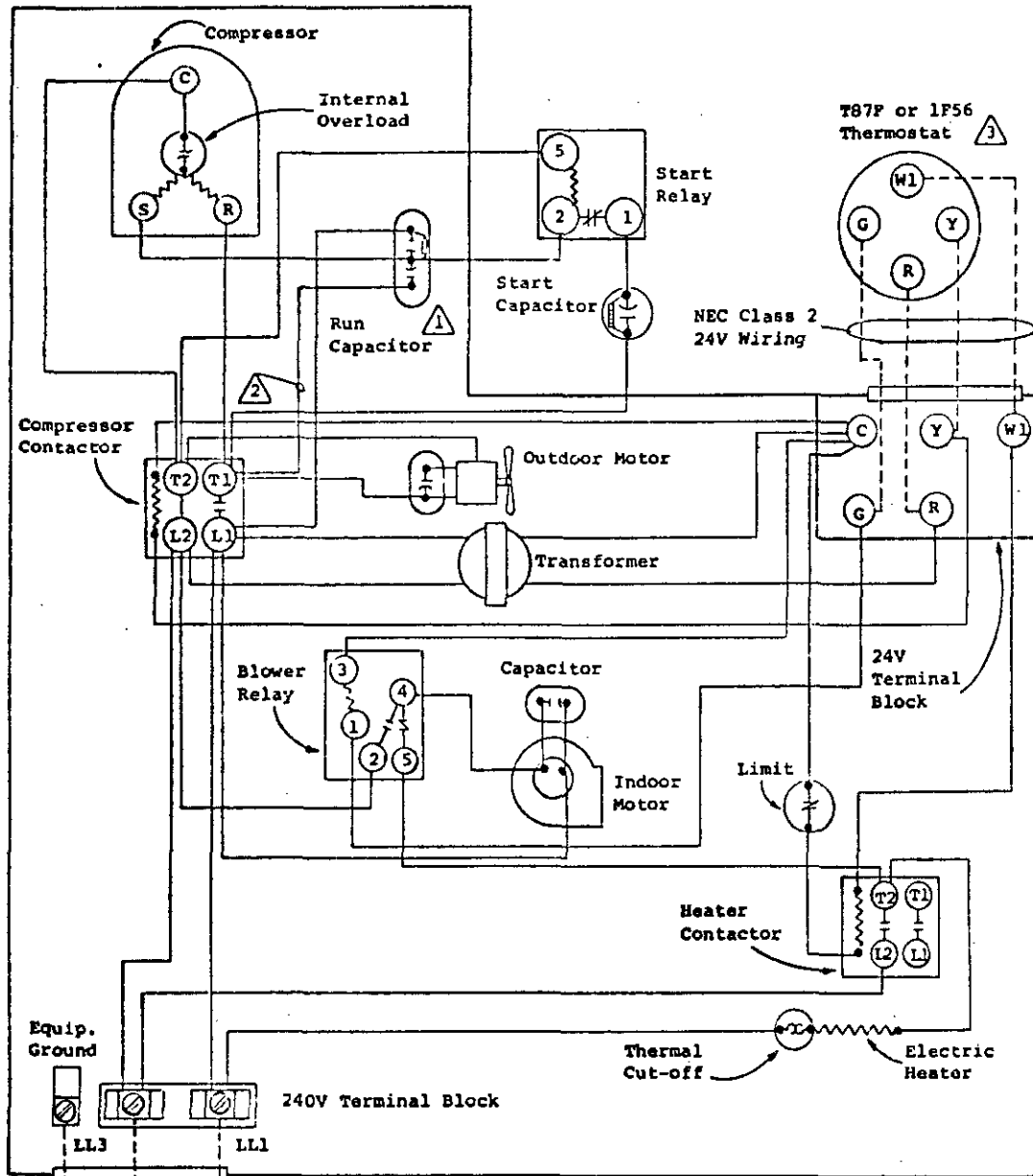
Fused Disconnect Switch

230/208-60-1

MODELS  
20WA1 & 24WA2  
w/4 or 5kw

Factory Wiring \_\_\_\_\_  
Field Wiring - - - - -





Equip. Ground

USE COPPER OR ALUMINUM WIRE

Fused Disconnect Switch

230V 60Hz 1-Ph

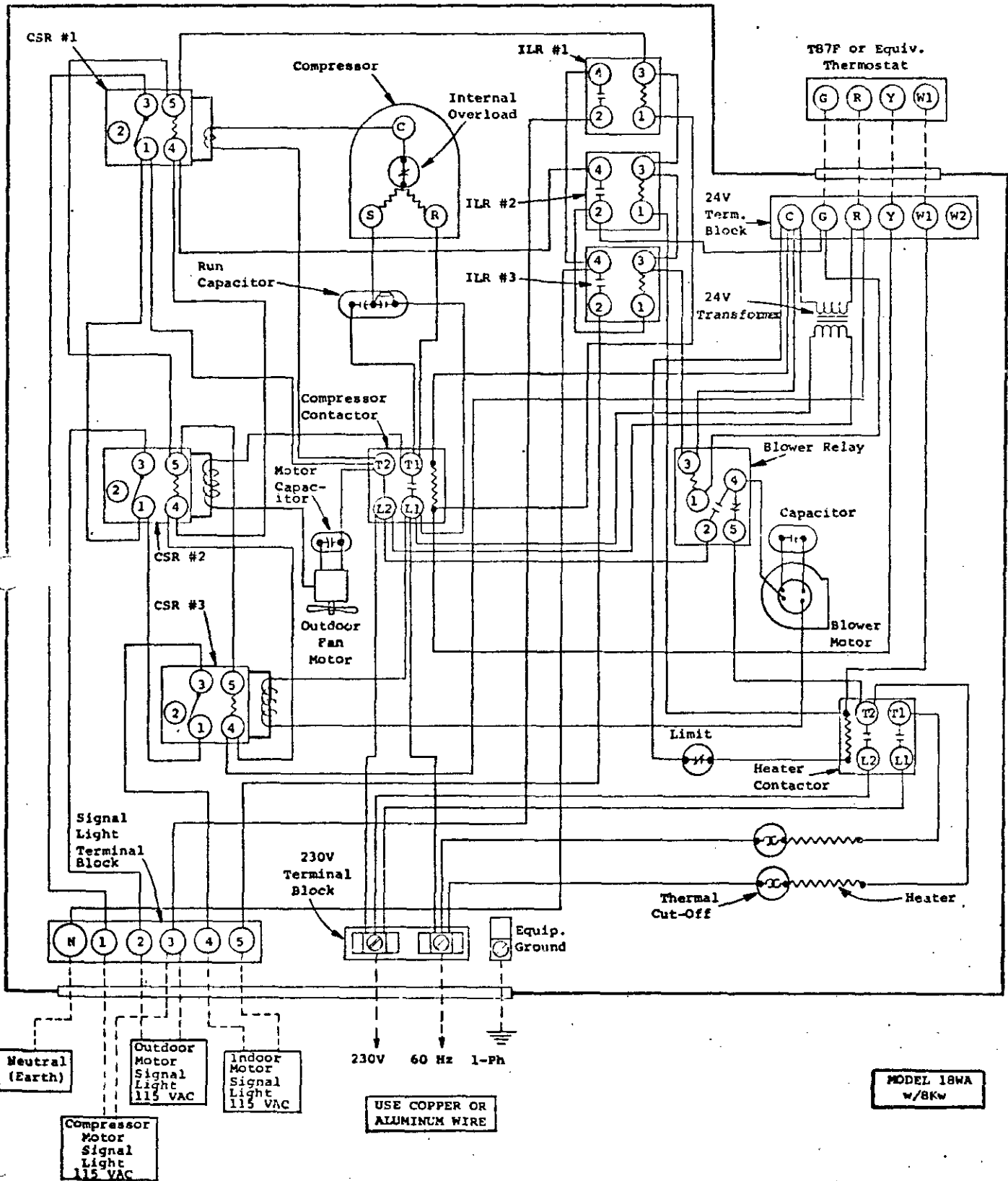
- ⚠ 3-terminal capacitor provides off-cycle crankcase heat.
- ⚠ This wire omitted and 2-terminal capacitor used on model 18WA1 and 20WA.
- ⚠ See alternate thermostat sheet. Set heat anticipator at .40A

Models  
18WA1, 20WA, 24WA1  
w/4 or 5kw

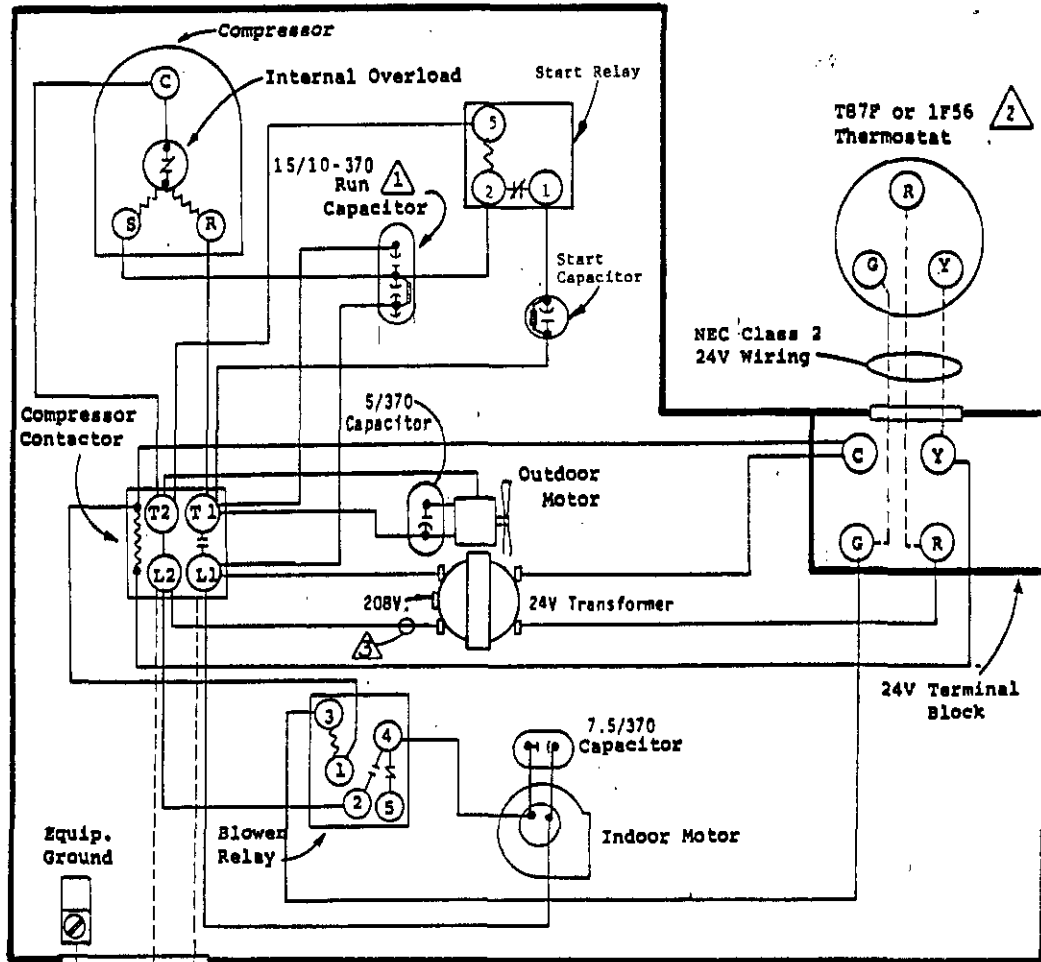
Primary Wiring ———  
Secondary Wiring - - -

**CURRENT SENSING RELAYS**

- C.S.R. #1 - Compressor
- C.S.R. #2 - Outdoor Motor
- C.S.R. #3 - Indoor Motor



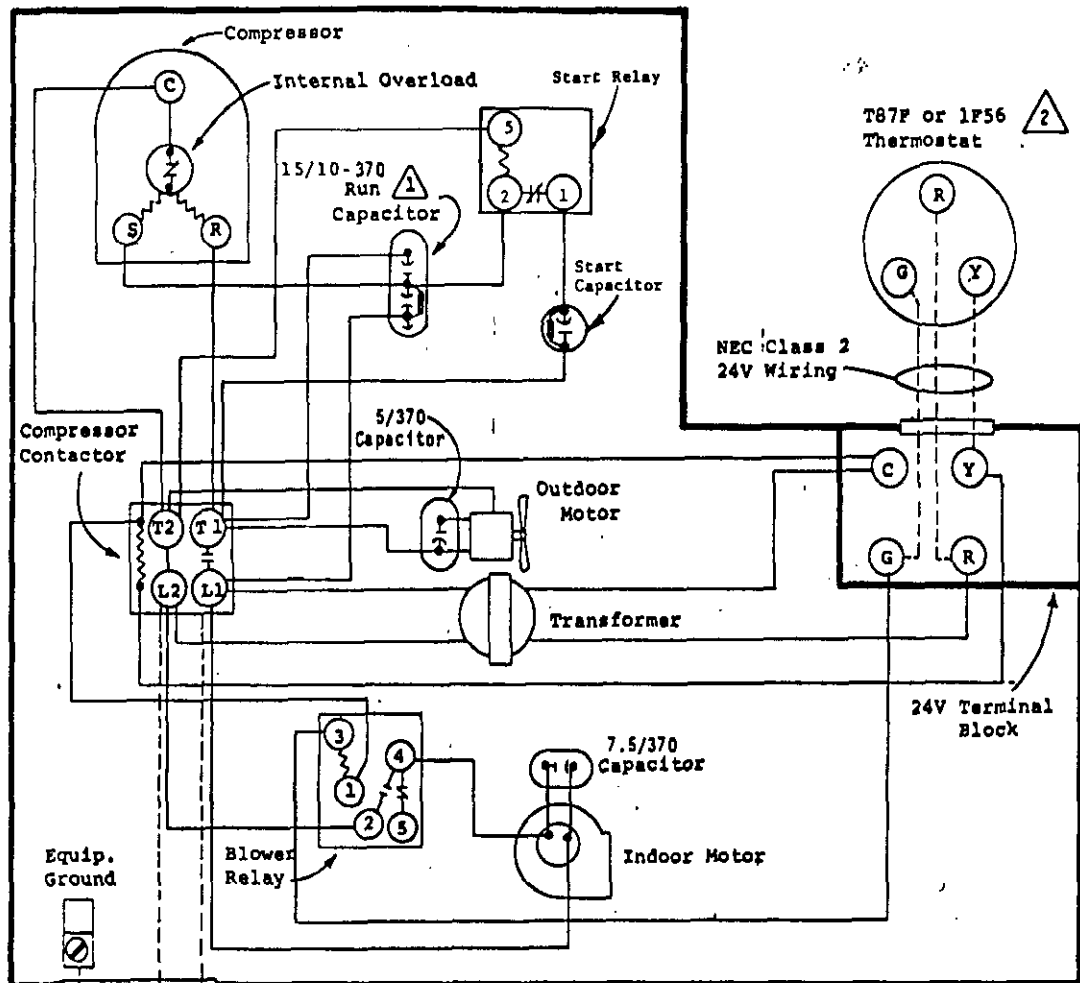
MODEL 18WA  
w/BKW



- 1 Capacitor provides off-cycle crankcase heat.
- 2 See alternate thermostat sheet.
- 3 For 208V operation move this wire to 208V transformer tap.

MODELS  
20WA1 & 24WA2

Factory Wiring \_\_\_\_\_  
Field Wiring - - - - -



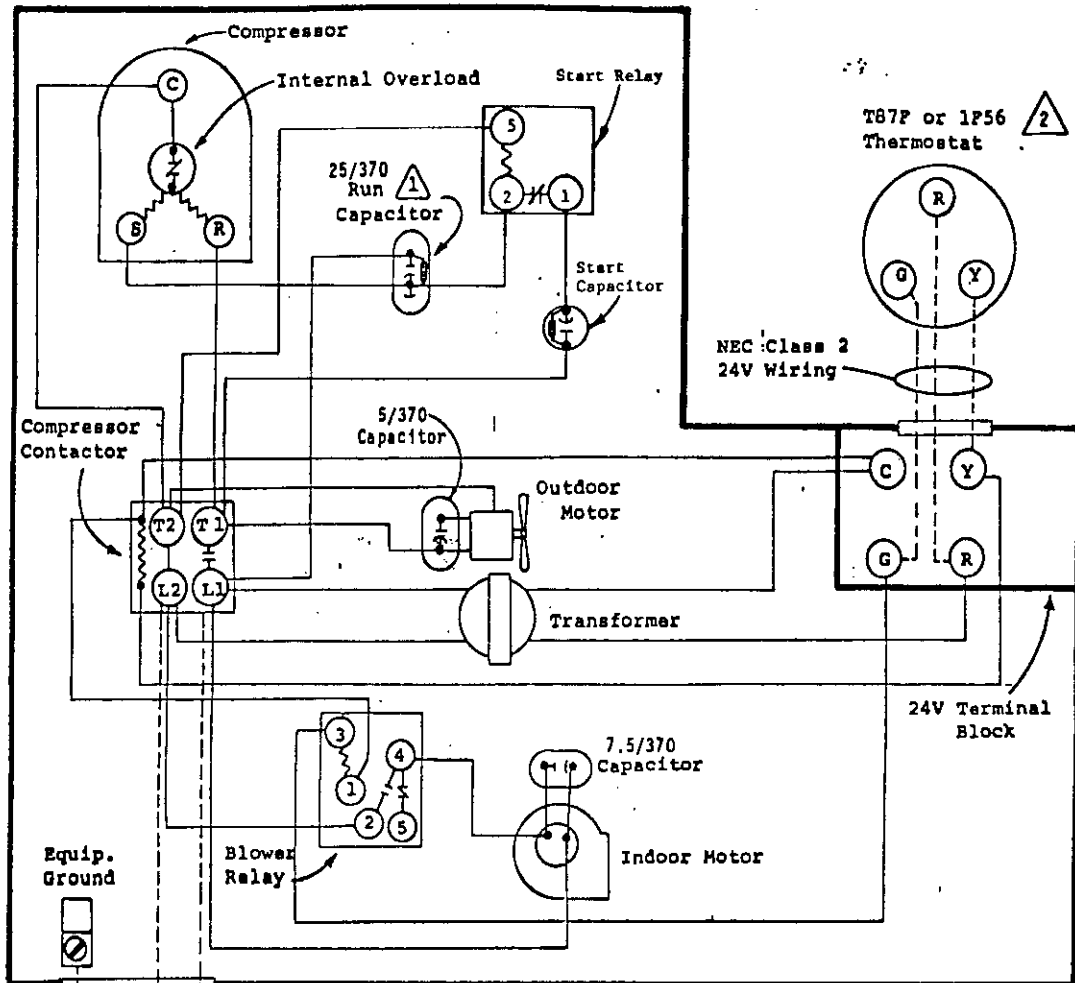
USE COPPER CONDUCTORS ONLY

- 1 Capacitor provides off-cycle crankcase heat.
- 2 See alternate thermostat sheet.

REVISED DIAGRAM  
 REPLACES  
 4007-205A  
 DATE 9-9-5-

MODELS  
 20WA1 & 24WA2

Factory Wiring \_\_\_\_\_  
 Field Wiring - - - - -



USE COPPER CONDUCTORS ONLY

- 1 Capacitor provides off-cycle crankcase heat.
- 2 See alternate thermostat sheet.

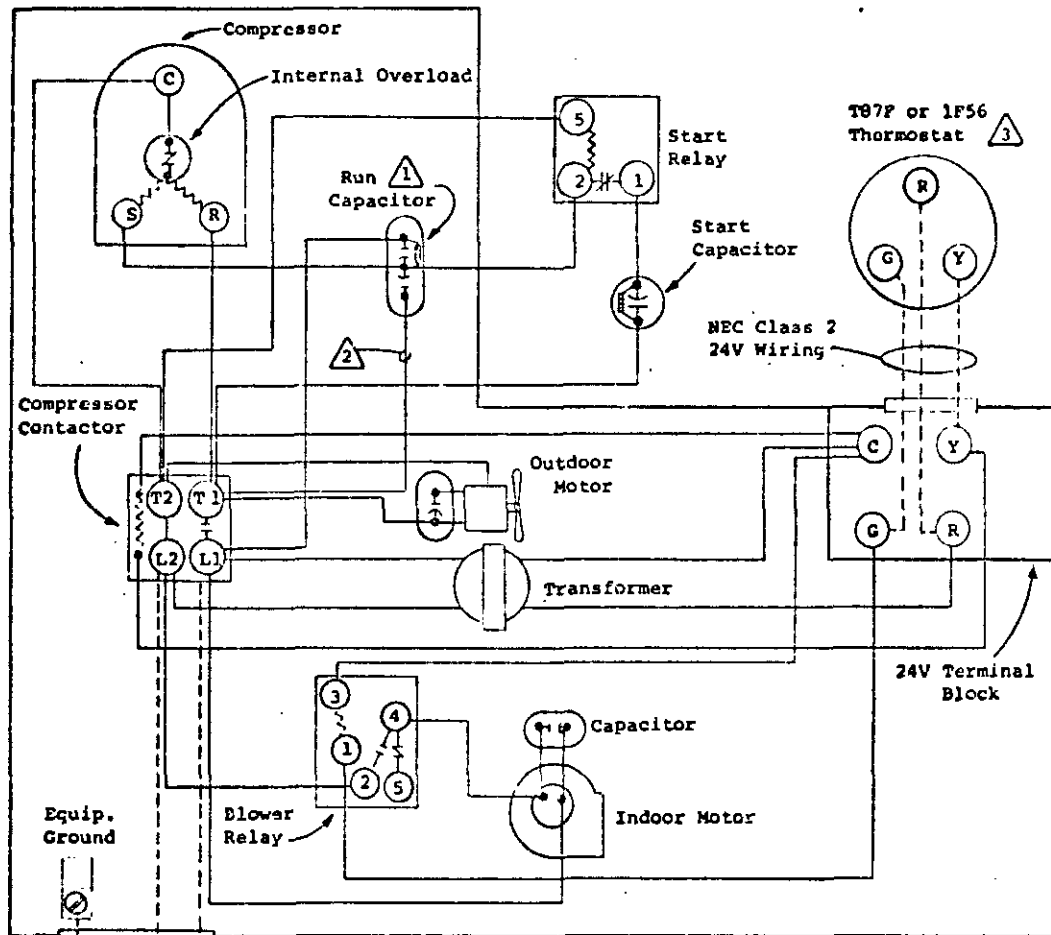
Fused Disconnect Switch

230/208-50-1

MODELS  
20WA1 & 24WA2

Factory Wiring \_\_\_\_\_  
Field Wiring - - - - -

4007-805A



USE COPPER CONDUCTORS ONLY

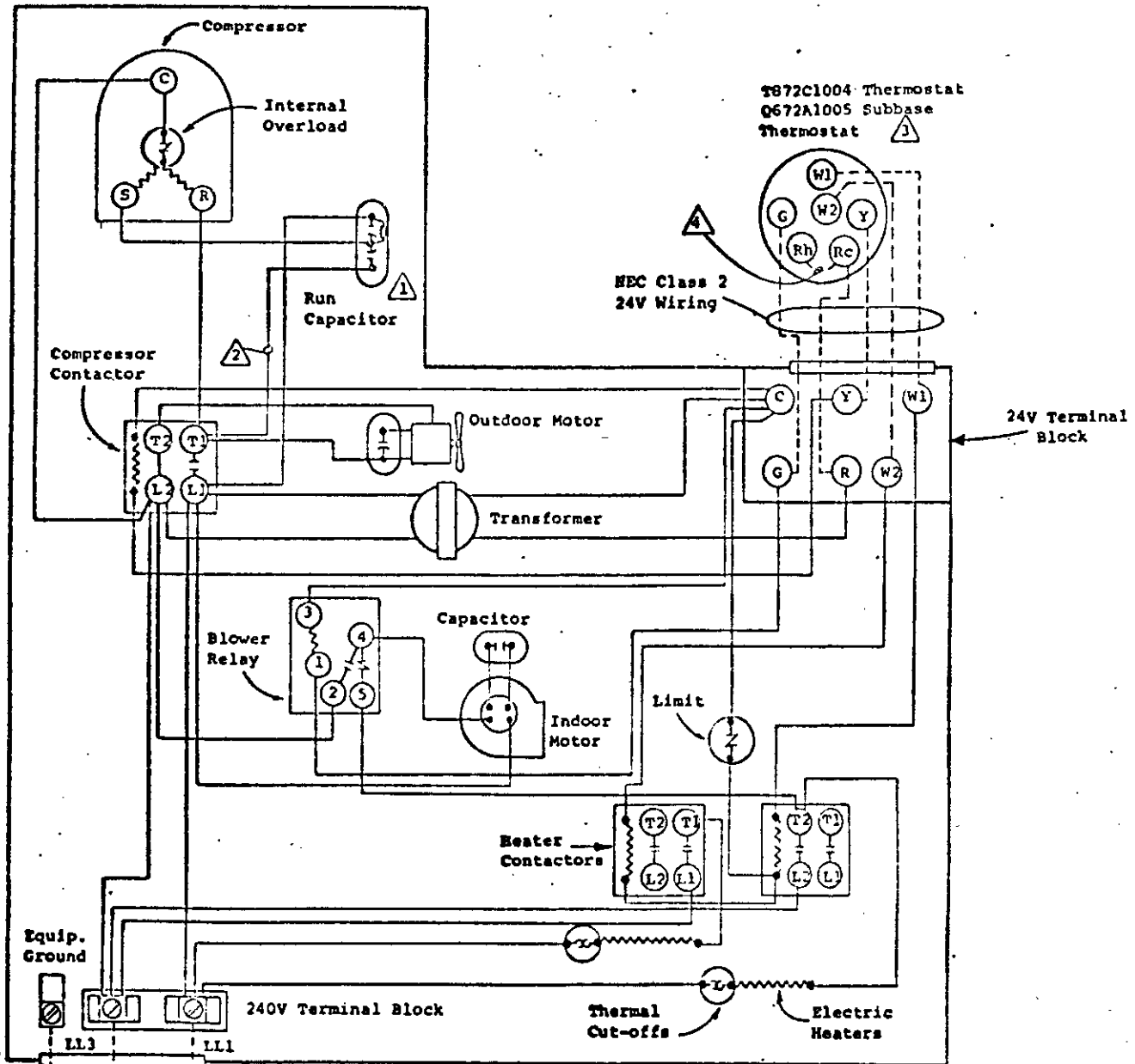
- ⚠ 1 3-terminal capacitor provides off-cycle heat.
- ⚠ 2 This wire omitted and 2-terminal capacitor used on models 18WA1 and 20WA.
- ⚠ 3 See alternate thermostat sheet.

230V 60Hz 1-Ph

Fused Disconnect Switch

Models  
18WA1, 20WA, 24WA1

Factory Wiring \_\_\_\_\_  
Field Wiring - - - - -

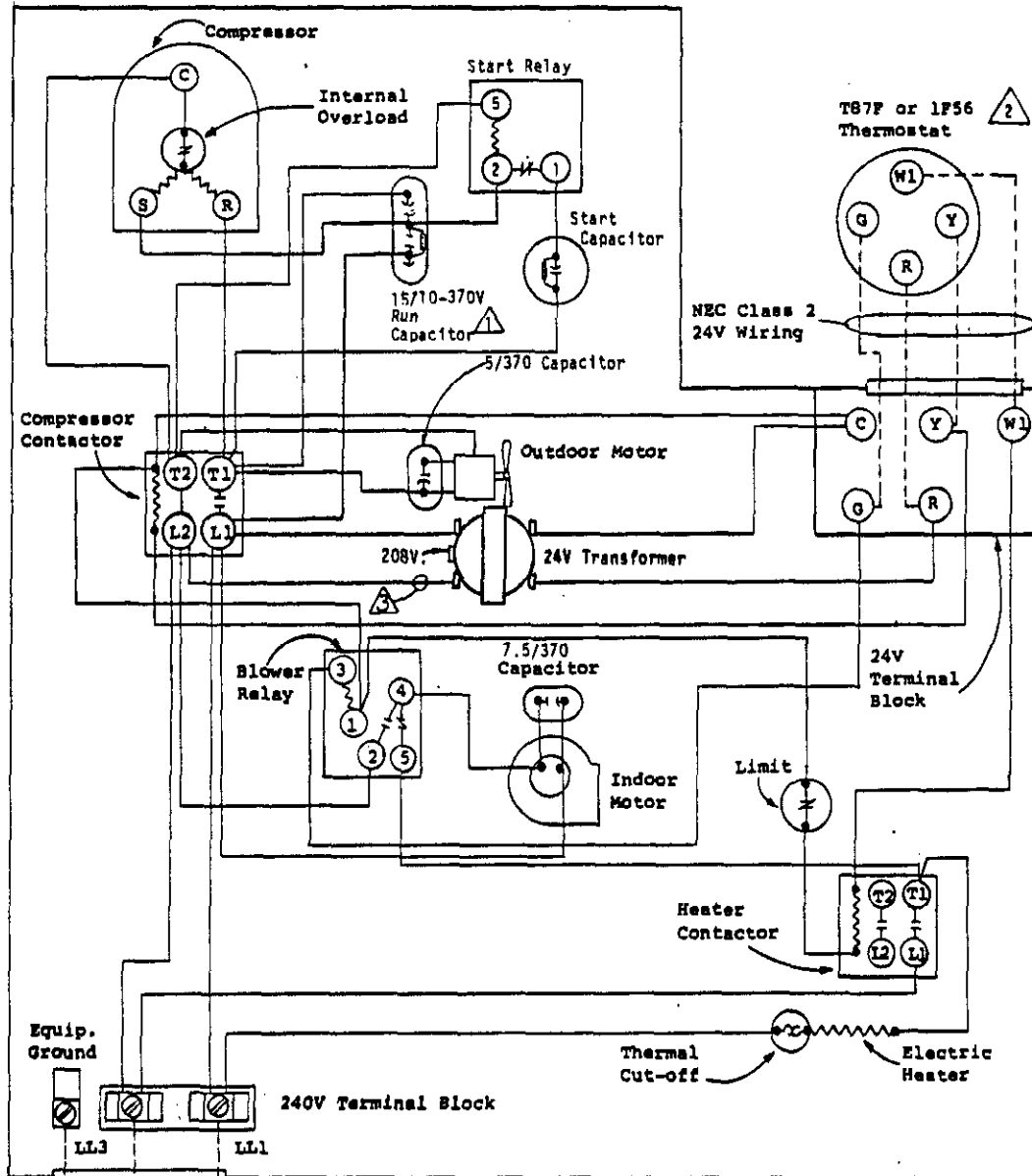


USE COPPER OR ALUMINUM WIRE

- ⚠ 1 3-terminal capacitor provides off-cycle crankcase heat.
- ⚠ 2 This wire omitted and 2-terminal capacitor used on model 18WA1 and 20WA.
- ⚠ 3 See alternate thermostat sheet. Set heat anticipator at .40A for W1 and W2.
- ⚠ 4 Add jumper Rc to Rh.

Models  
18WA1, 20WA, 24WA1  
w/8 or 10Kw

Factory Wiring ———  
Field Wiring - - - - -



**USE COPPER OR ALUMINUM WIRE**

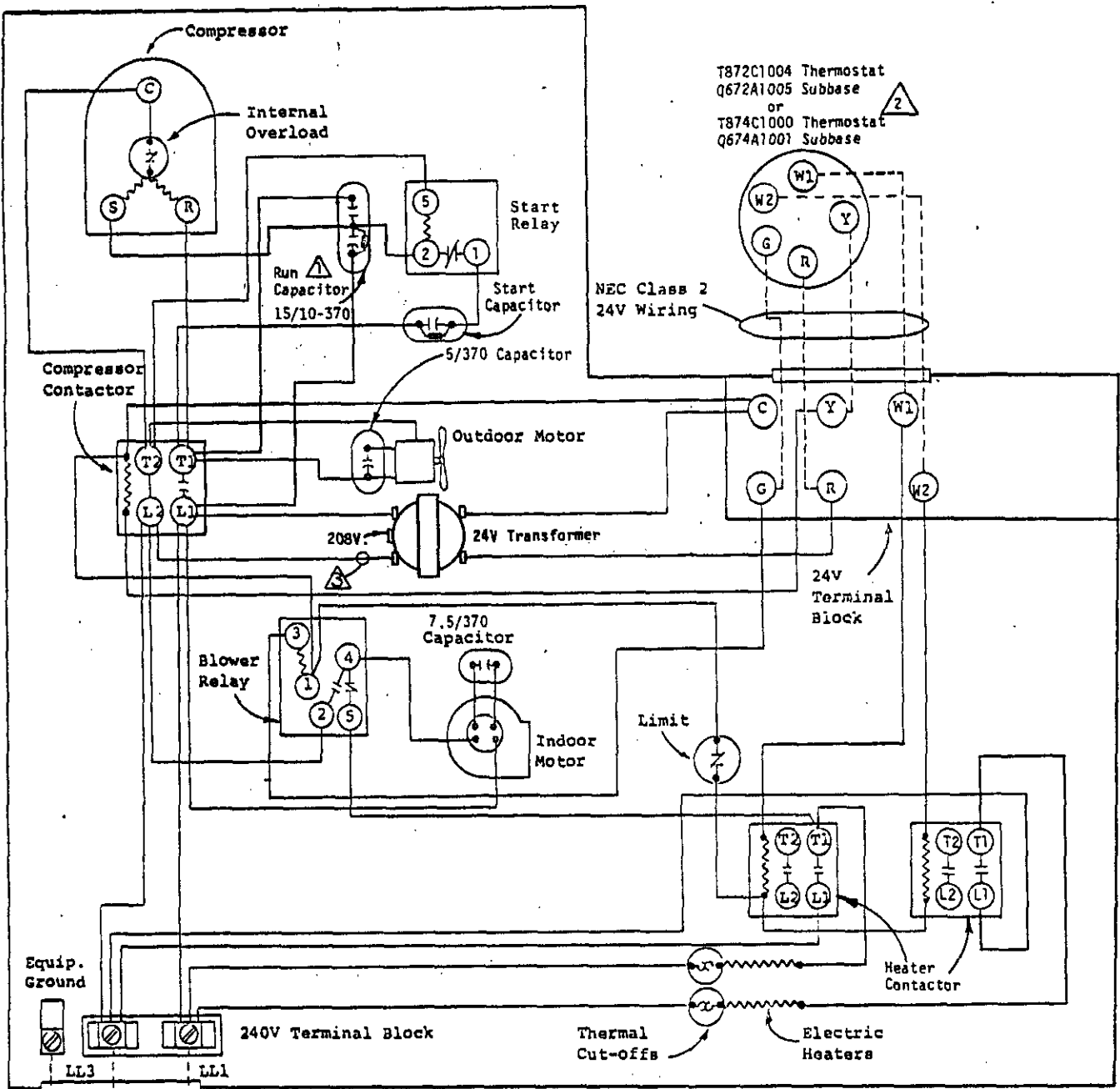
- 1 Capacitor provides off-cycle crankcase heat.
- 2 See alternate thermostat sheet. Set heat anticipator at .40A.
- 3 For 208V operation move this wire to 208V transformer tap.

230/208-60-1

**MODELS**  
20WA1 & 24WA2  
w/4 or 5kw

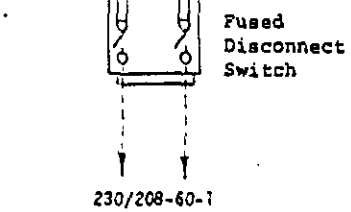
Factory Wiring ———  
Field Wiring - - - - -





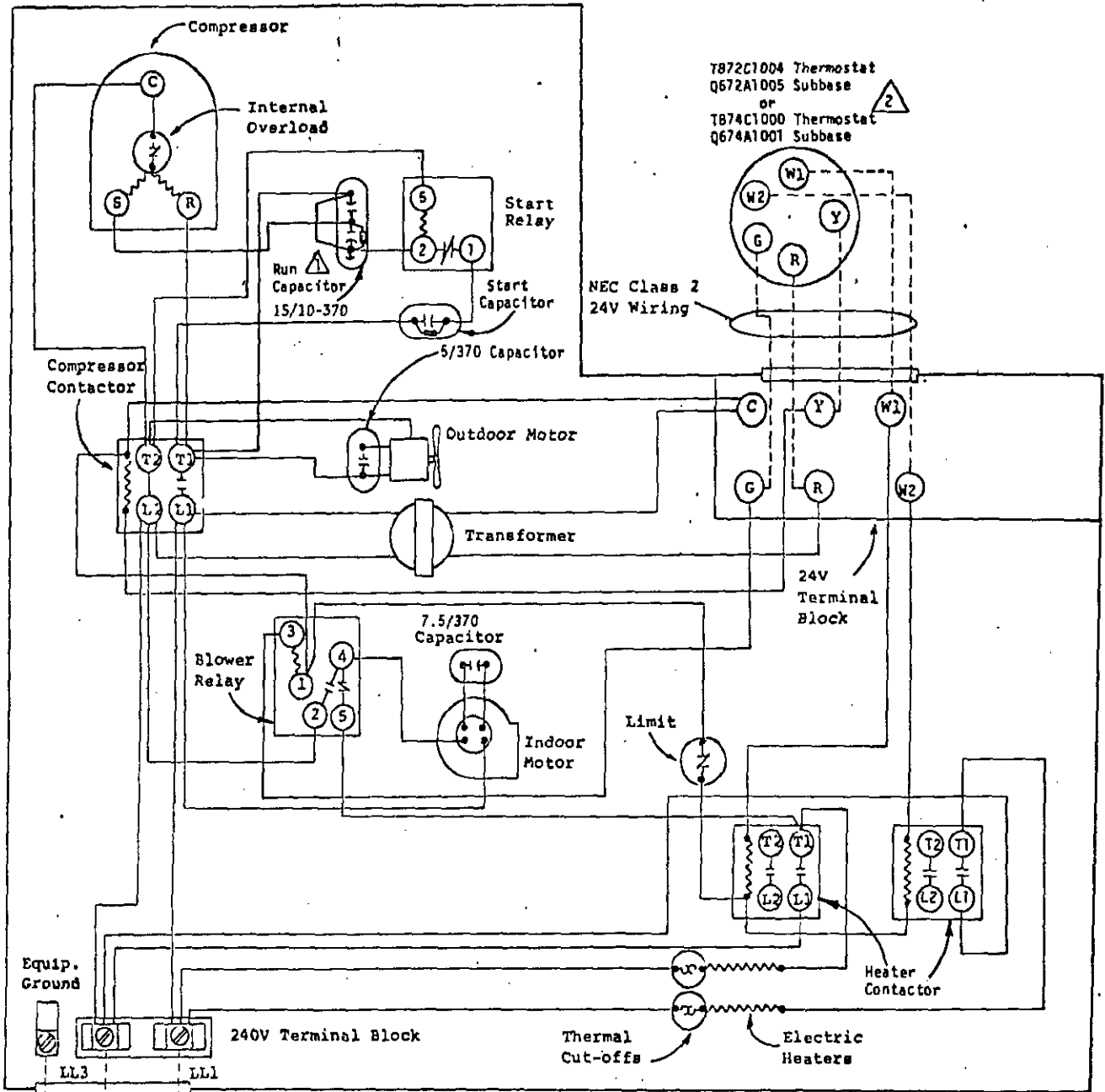
USE COPPER OR ALUMINUM WIRE

- ⚠ Capacitor provides off-cycle crankcase heat.
- ⚠ See alternate thermostat sheet. Set heat anticipator at .40A.
- ⚠ For 208V operation move this wire to 208V transformer tap.



Factory Wiring —————  
Field Wiring - - - - -

Models  
20WA1 & 24WA2  
w/8 or 10Kw



T872C1004 Thermostat  
 Q672A1005 Subbase  
 or  
 T874C1000 Thermostat  
 Q674A1001 Subbase

NEC Class 2  
 24V Wiring

USE COPPER OR  
 ALUMINUM WIRE

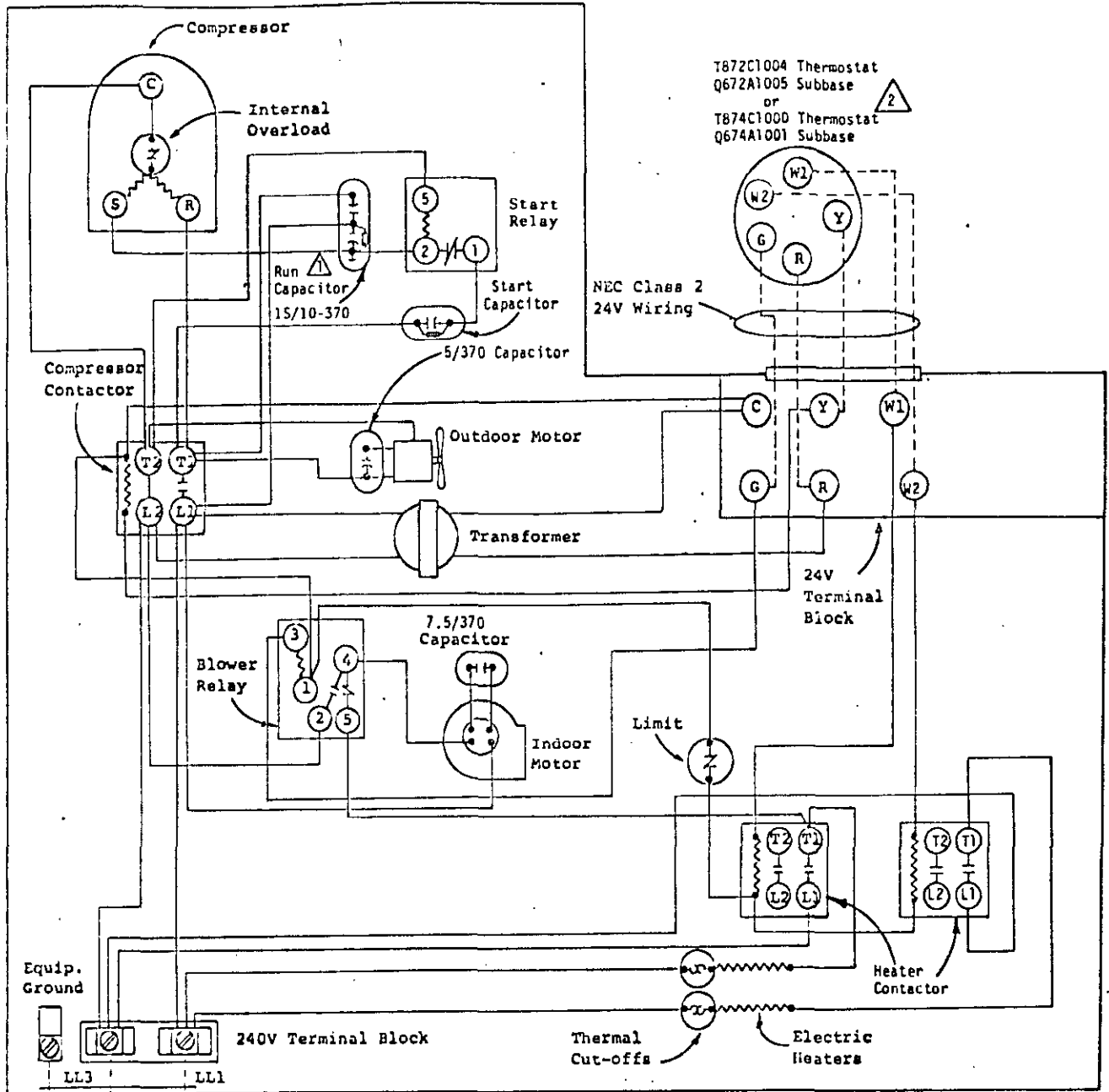
- ⚠️ Capacitor provides off-cycle crankcase heat.
- ⚠️ See alternate thermostat sheet. Set heat anticipator at .40A.

Fused  
 Disconnect  
 Switch

230/208-60-1

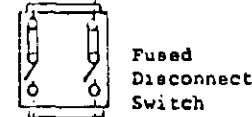
Models  
 20WA1 & 24WA2  
 w/8 or 10kw

Factory Wiring \_\_\_\_\_  
 Field Wiring - - - - -



USE COPPER OR ALUMINUM WIRE

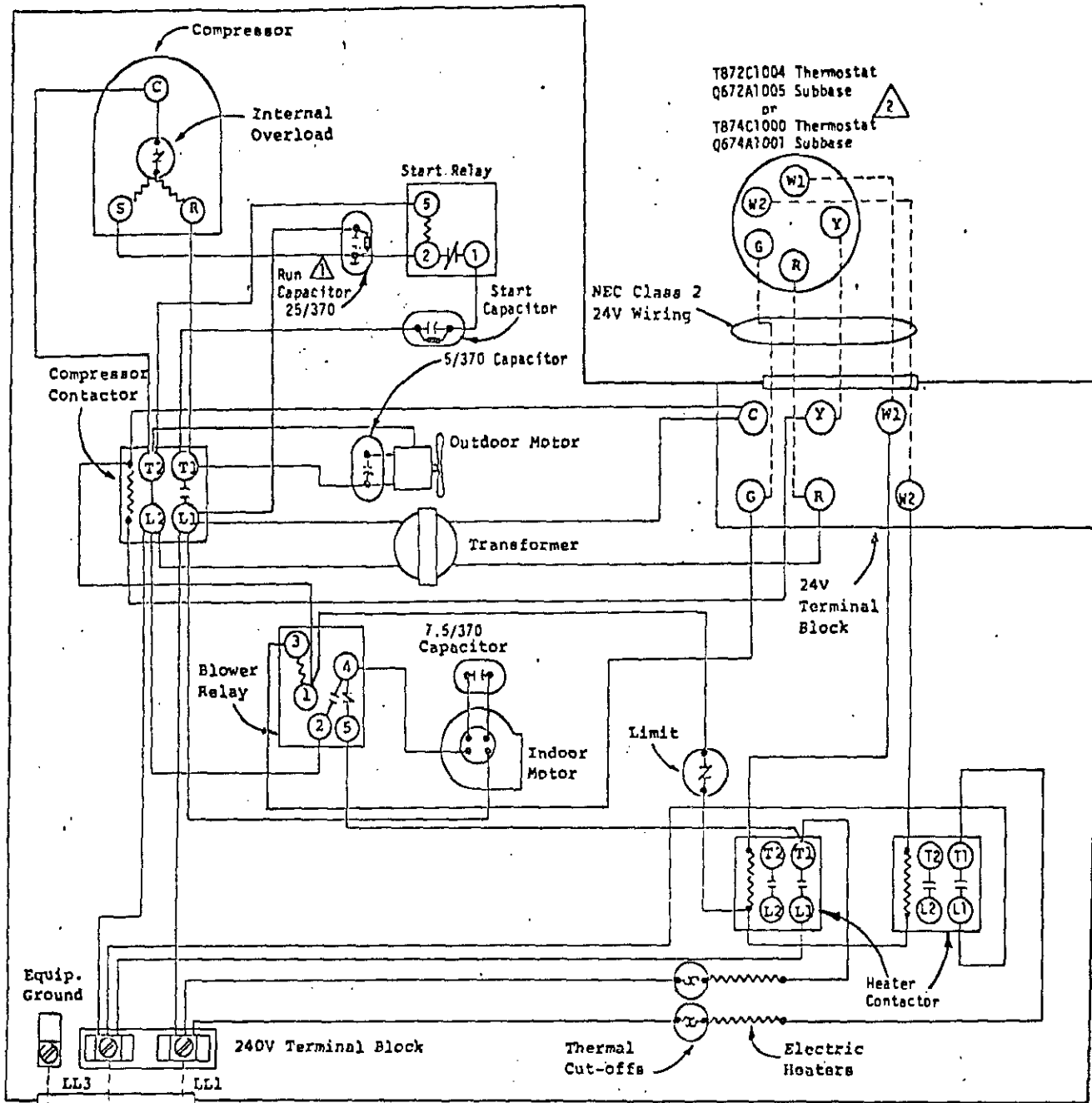
- ⚠ Capacitor provides off-cycle crankcase heat.
- ⚠ See alternate thermostat sheet. Set heat anticipator at .40A.



230/208-60-1

Models  
20WA1 & 24WA2  
w/8 or 10KW

Factory Wiring ———  
Field Wiring - - - - -



T872C1004 Thermostat  
 Q672A1005 Subbase  
 or  
 T874C1000 Thermostat  
 Q674A1001 Subbase

NEC Class 2  
 24V Wiring

USE COPPER OR  
 ALUMINUM WIRE

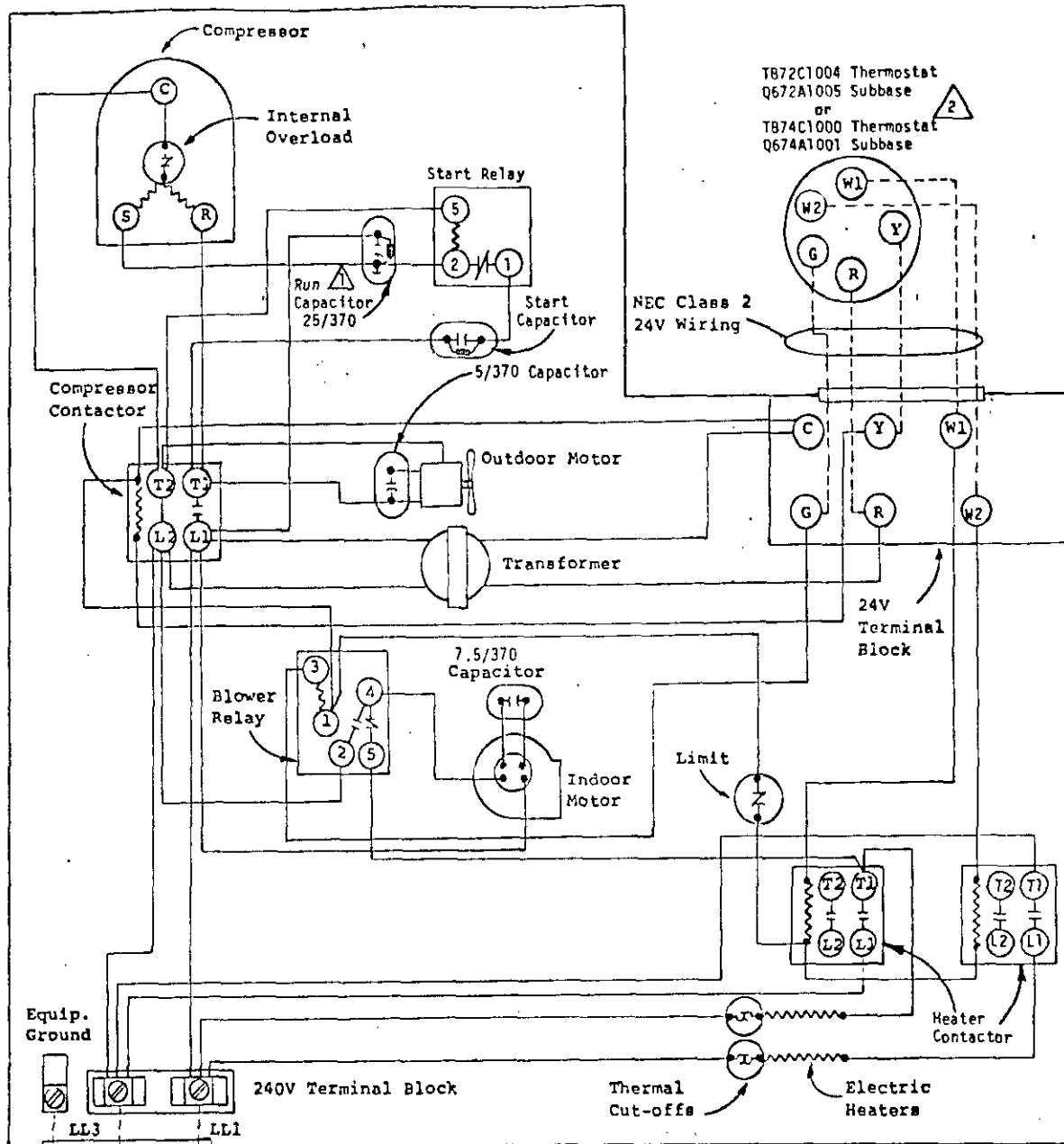
- ⚠️ Capacitor provides off-cycle crankcase heat.
- ⚠️ See alternate thermostat sheet. Set heat anticipator at .40A.

Fused  
 Disconnect  
 Switch

230/208-60-1

Models  
 20WA1 & 24WA2  
 w/8 or 10Kw

Factory Wiring ———  
 Field Wiring - - - - -



WB72C1004 Thermostat  
 Q672A1005 Subbase  
 or  
 WB74C1000 Thermostat  
 Q674A1001 Subbase

NEC Class 2  
 24V Wiring

24V  
 Terminal  
 Block

240V Terminal Block

USE COPPER OR  
 ALUMINUM WIRE

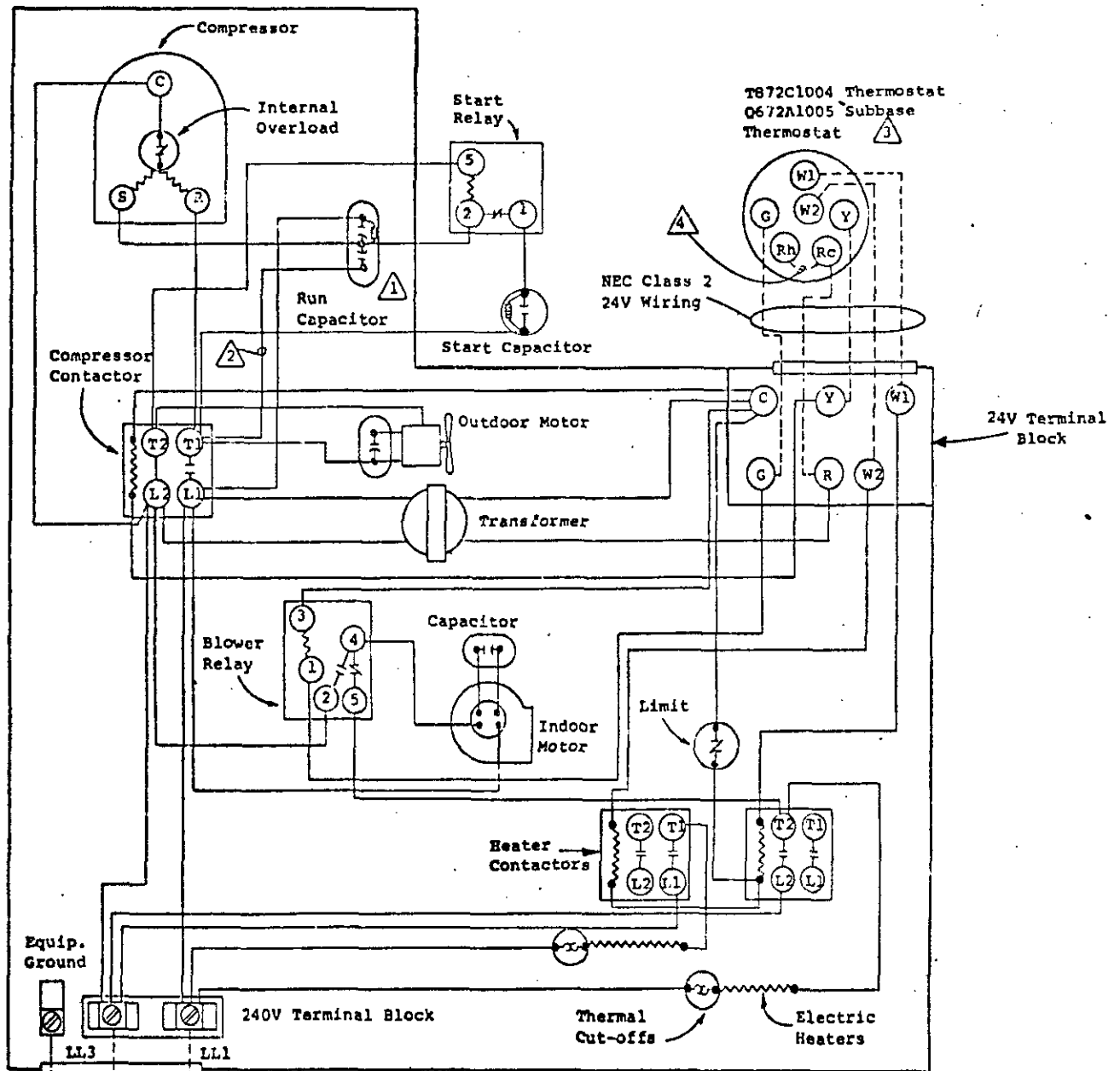
- ⚠ Capacitor provides off-cycle crankcase heat.
- ⚠ See alternate thermostat sheet. Set heat anticipator at .40A.

Fused  
 Disconnect  
 Switch

230/208-60-1

Models  
 20WA1 & 24WA2  
 w/8 or 10kw

Factory Wiring ———  
 Field Wiring - - - - -



USE COPPER OR ALUMINUM WIRE

- ⚠ 1 3-terminal capacitor provides off-cycle crankcase heat.
- ⚠ 2 This wire omitted and 2-terminal capacitor used on model 18WA1 and 20WA.
- ⚠ 3 See alternate thermostat sheet. Set heat anticipator at .40A for W1 and W2.
- ⚠ 4 Add jumper Rc to Rh.

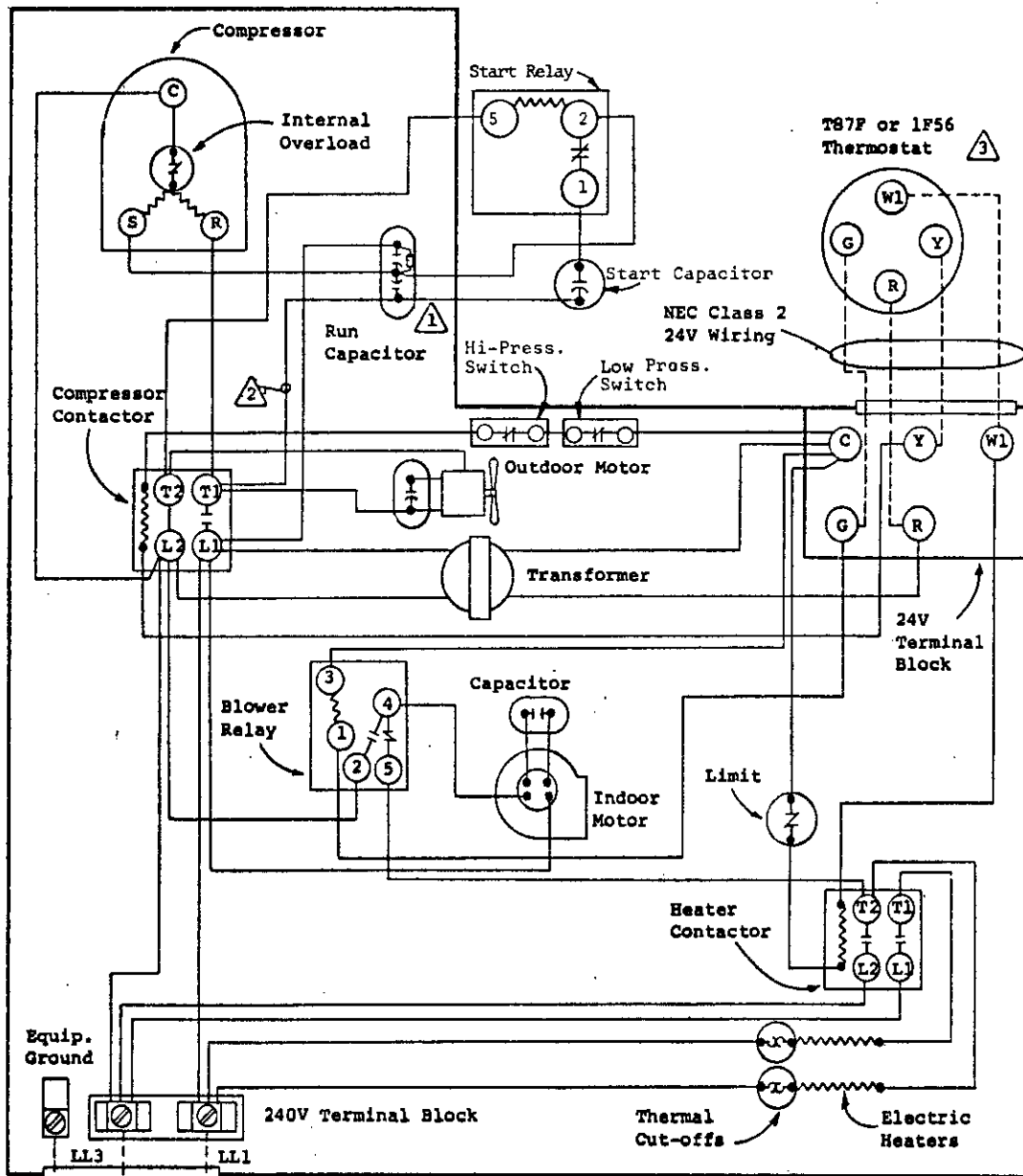
Fused Disconnect Switch

230V 60Hz 1-Ph

Models  
18WA1, 20WA, 24WA1  
w/8 or 10kw

Post-it® Fax Note	7671	Date	1/20/00	# of pages	1
To	BRAD	From			
Co./Dept.		Co.	BARD MFG CO		
Phone #	360-855-3509	Phone #			
Fax #		Fax #			

Factory Wiring  
Field Wiring



USE COPPER OR ALUMINUM WIRE

- ① 3-terminal capacitor provides off-cycle crankcase heat.
- ② This wire omitted and 2-terminal capacitor used on model 18WA1 and 20WA.
- ③ See alternate thermostat sheet. Set heat anticipator at .40A.

230V 60Hz 1-Ph

Fused Disconnect Switch

Models  
18WA1, 20WA, 24WA1  
w/8 or 10kw

Factory Wiring ———  
Field Wiring - - - - -