

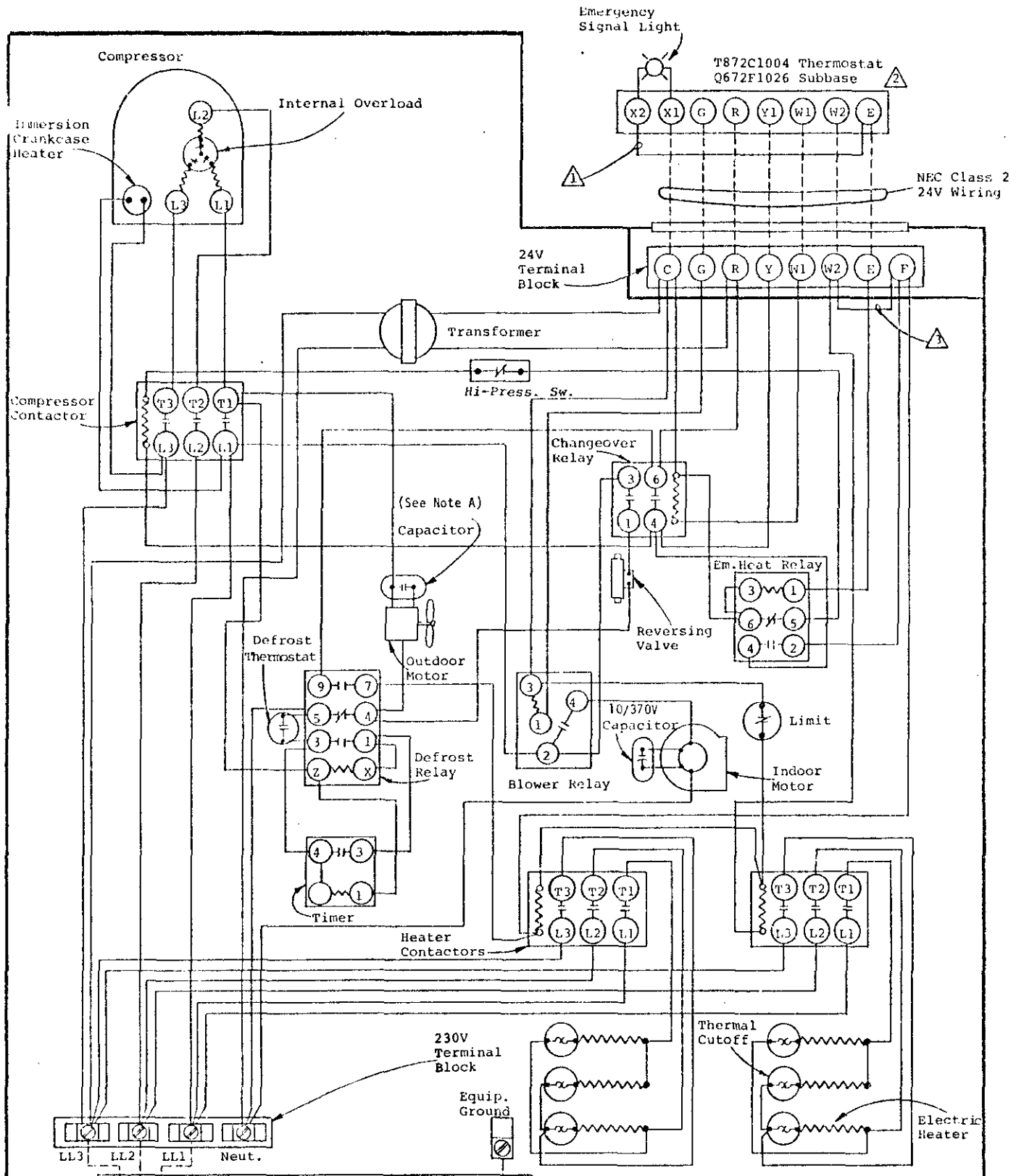
- 1 Reroute jumper from X2-W2 to X2-E.
- 2 Set heat anticipators at .40A for W1 and .80A for W2. See note 3.
- 3 Remove this jumper if 3rd stage heat outdoor thermostat is used and set W2 heat anticipator to .40A. See Typical Installation Instructions.

USE COPPER OR ALUMINUM WIRE

Single Package Heat Pump  
4 and 5 Ton  
13.5kw

4006-630D

Factory Wiring ----- 415/380V 50 Hz 3-Ph  
Field Wiring - - - - -



- ⚠ Reroute jumper from X2-W2 to X2-E.
- ⚠ Set heat anticipators at .40A for W1 and .80A for W2. See note 3.
- ⚠ Remove this jumper if 3rd stage heat outdoor thermostat is used and set W2 heat anticipator to .40A. See Typical Installation Instructions.

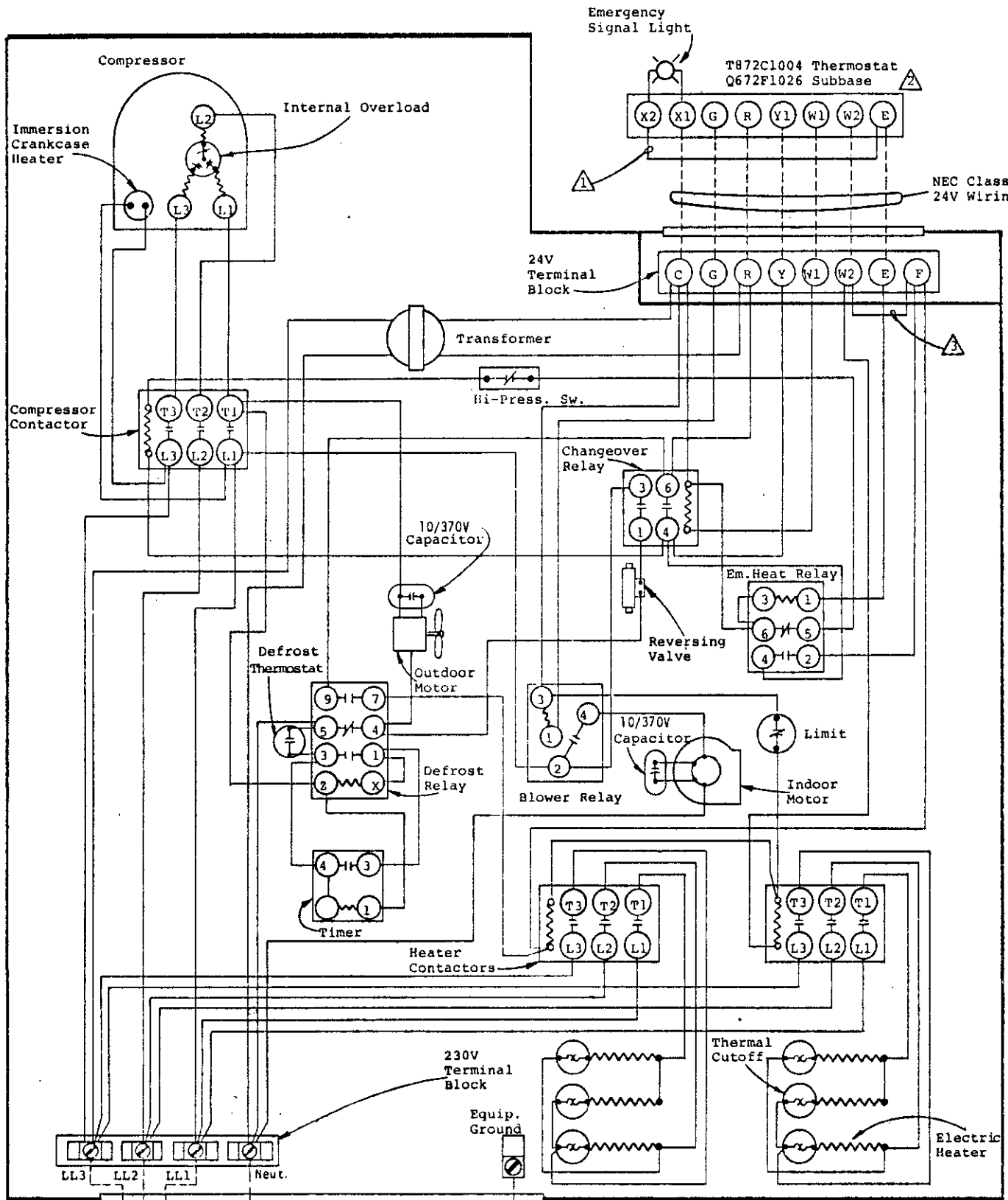
NOTE A: 4 Ton Capacitor - 15/370V  
5 Ton Capacitor - 7 1/2/370V

USE COPPER OR ALUMINUM WIRE

Single Package Heat Pump  
4 and 5 Ton  
13.5Kw

4006-630E

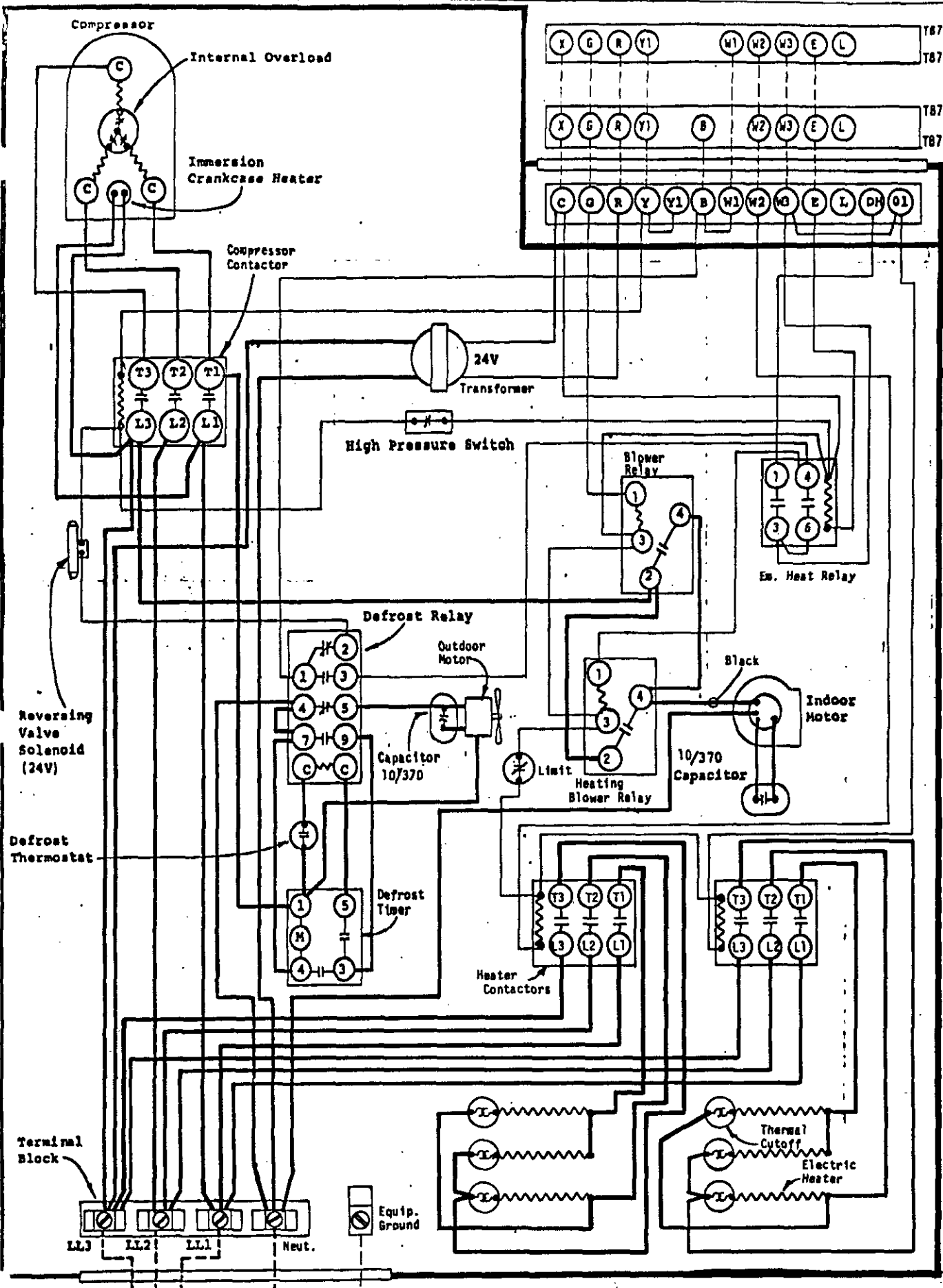
Factory Wiring ----- 415/380V 50 Hz 3-Ph  
Field Wiring - - - - -



- ⚠ Reroute jumper from X2-W2 to X2-E.
- ⚠ Set heat anticipators at .40A for W1 and .80A for W2. See note 3.
- ⚠ Remove this jumper if 3rd stage heat outdoor thermostat is used and set W2 heat anticipator to .40A. See Typical Installation Instructions.

Single Package  
Heat Pump  
4 and 5 Ton  
13.5Kw  
4006-630F

Story Wiring  
Old Wiring - - - - -  
415/380V 50 Hz 3-Ph



TB72N1036/Q672F1299  
OR  
TB74N1024/Q674F1261

TB72R1164/Q672L1185  
OR  
TB74R1129/Q674L1181

24V  
Terminal  
Block

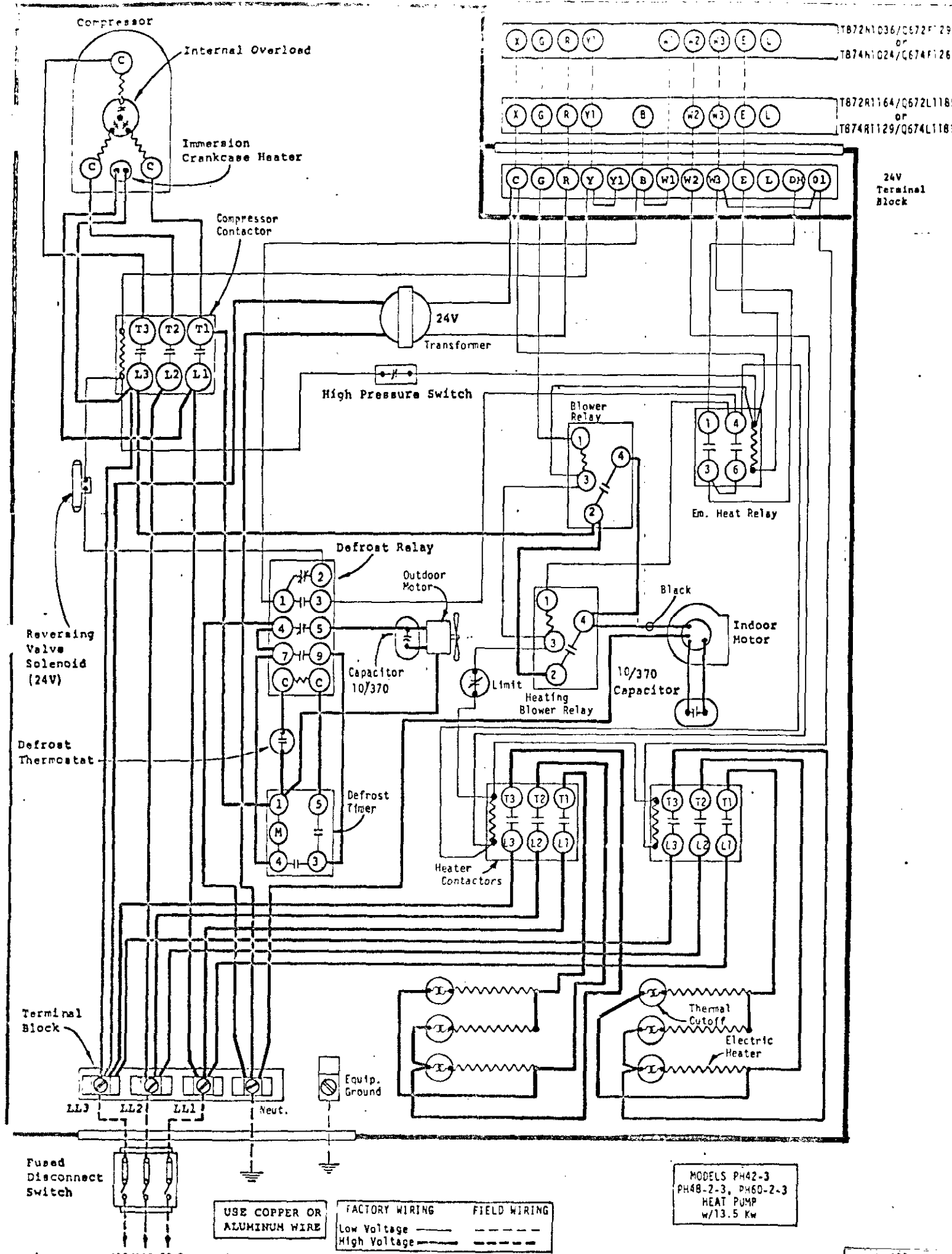
MODELS PH42-3  
PH48-2-3, PH60-2-3  
HEAT PUMP  
w/13.5 Kw

USE COPPER OR ALUMINUM WIRE

	FACTORY WIRING	FIELD WIRING
Low Voltage	—————	- - - - -
High Voltage	—————	- - - - -

415/380-50-3

4006-6306



T872N1036/Q672F1299  
or  
T874N1024/Q674F1261

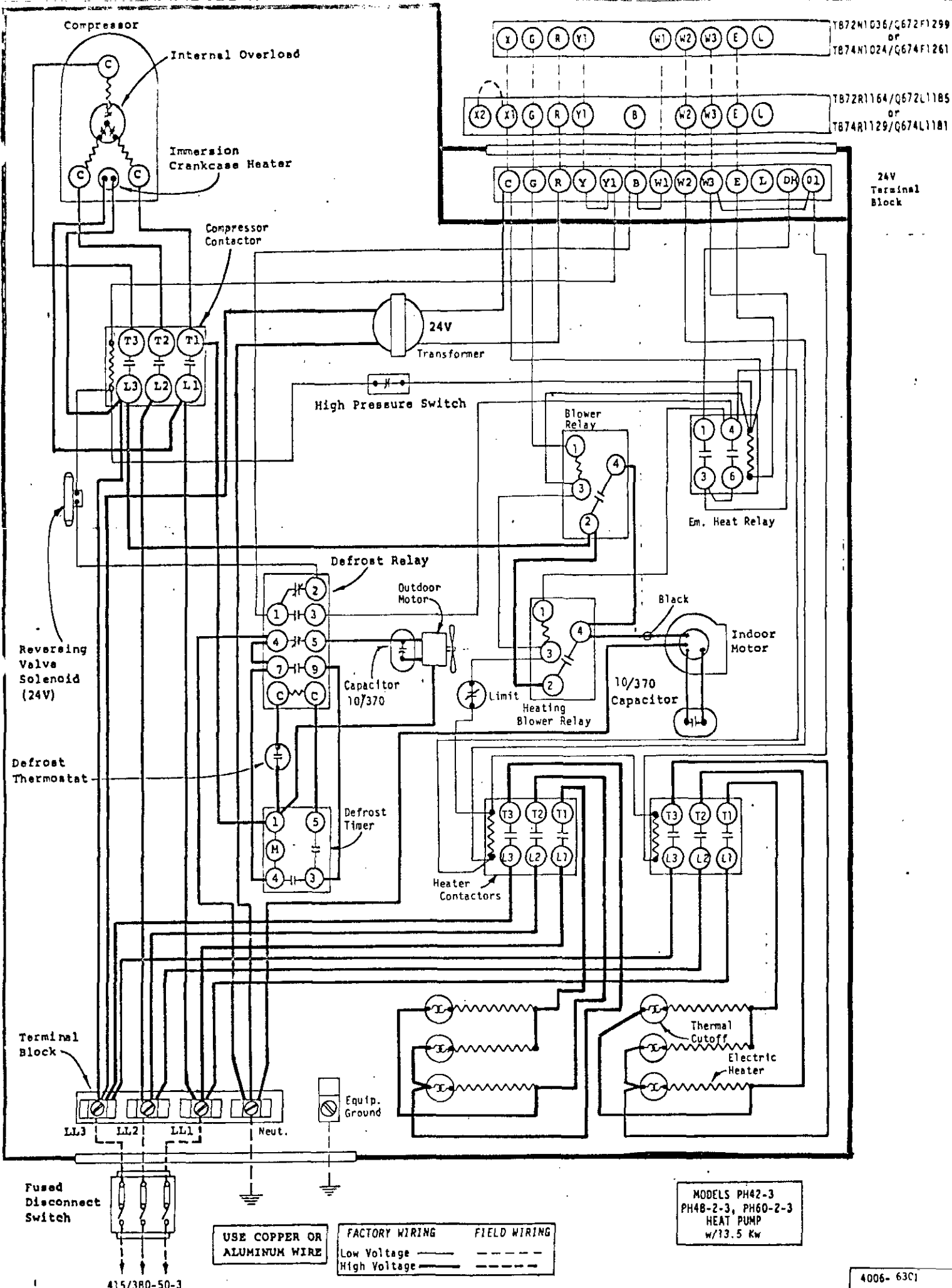
T872R1164/Q672L1185  
or  
T874R1129/Q674L1181

24V  
Terminal  
Block

USE COPPER OR  
ALUMINUM WIRE

FACTORY WIRING	FIELD WIRING
Low Voltage ———	-----
High Voltage ———	-----

MODELS PH42-3  
PH48-2-3, PH60-2-3  
HEAT PUMP  
w/13.5 Kw



TB72N1036/G672F1299  
or  
TB74N1024/G674F1261

TB72R1164/G672L1185  
or  
TB74R1129/G674L1181

24V  
Terminal  
Block

24V

Transformer

High Pressure Switch

Blower  
Relay

Em. Heat Relay

Defrost Relay

Outdoor  
Motor

Capacitor  
10/370

Limit  
Heating  
Blower Relay

Indoor  
Motor

10/370  
Capacitor

Reversing  
Valve  
Solenoid  
(24V)

Defrost  
Thermostat

Defrost  
Timer

Heater  
Contactors

Terminal  
Block

Equip.  
Ground

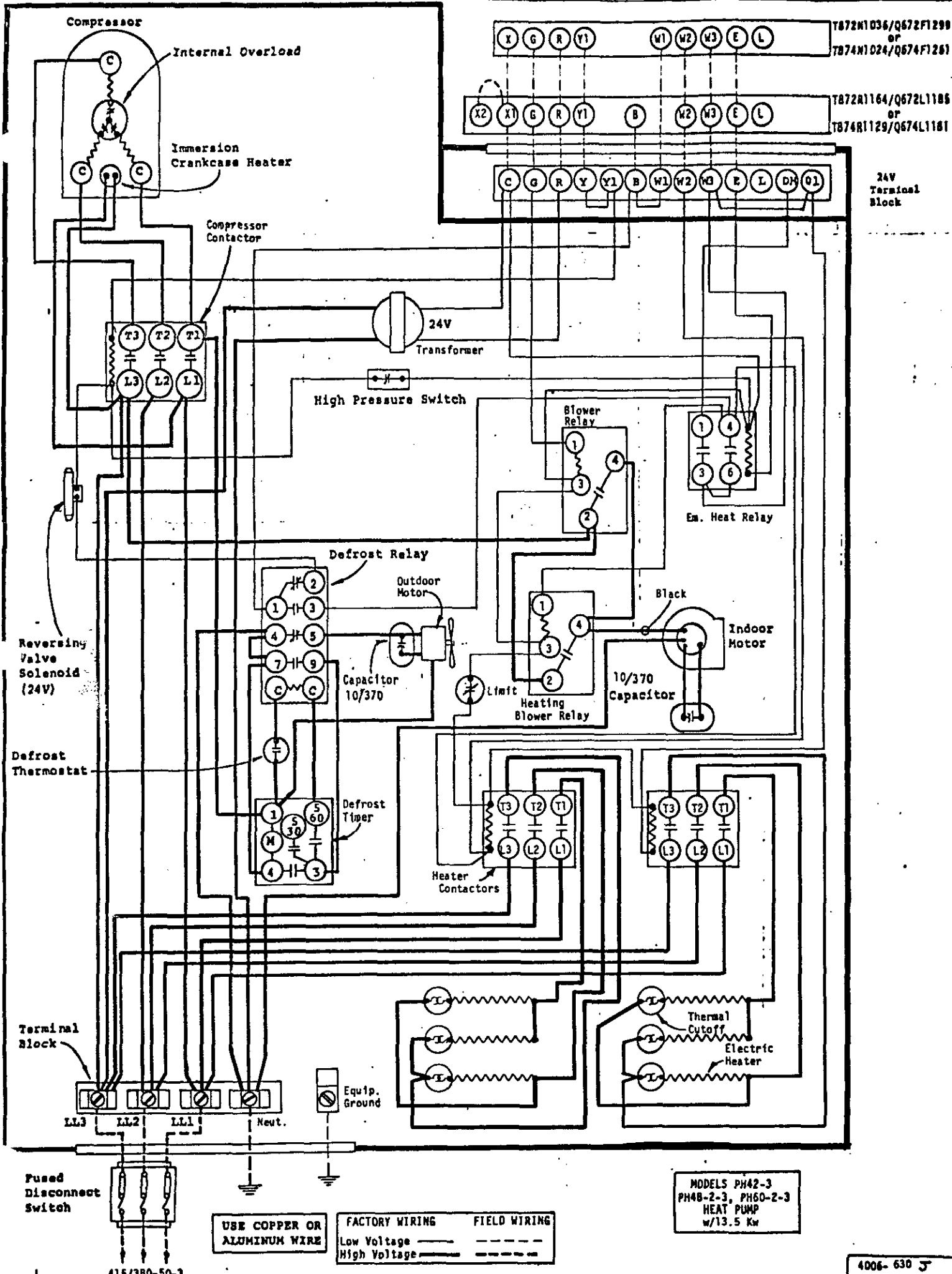
Thermal  
Cutoff  
Electric  
Heater

Fused  
Disconnect  
Switch

415/380-50-3

MODELS PH42-3  
PH4B-2-3, PH60-2-3  
HEAT PUMP  
w/13.5 Kw

4006- 63C1



T872N1036/Q672F1299  
OR  
T874N1024/Q674F1261

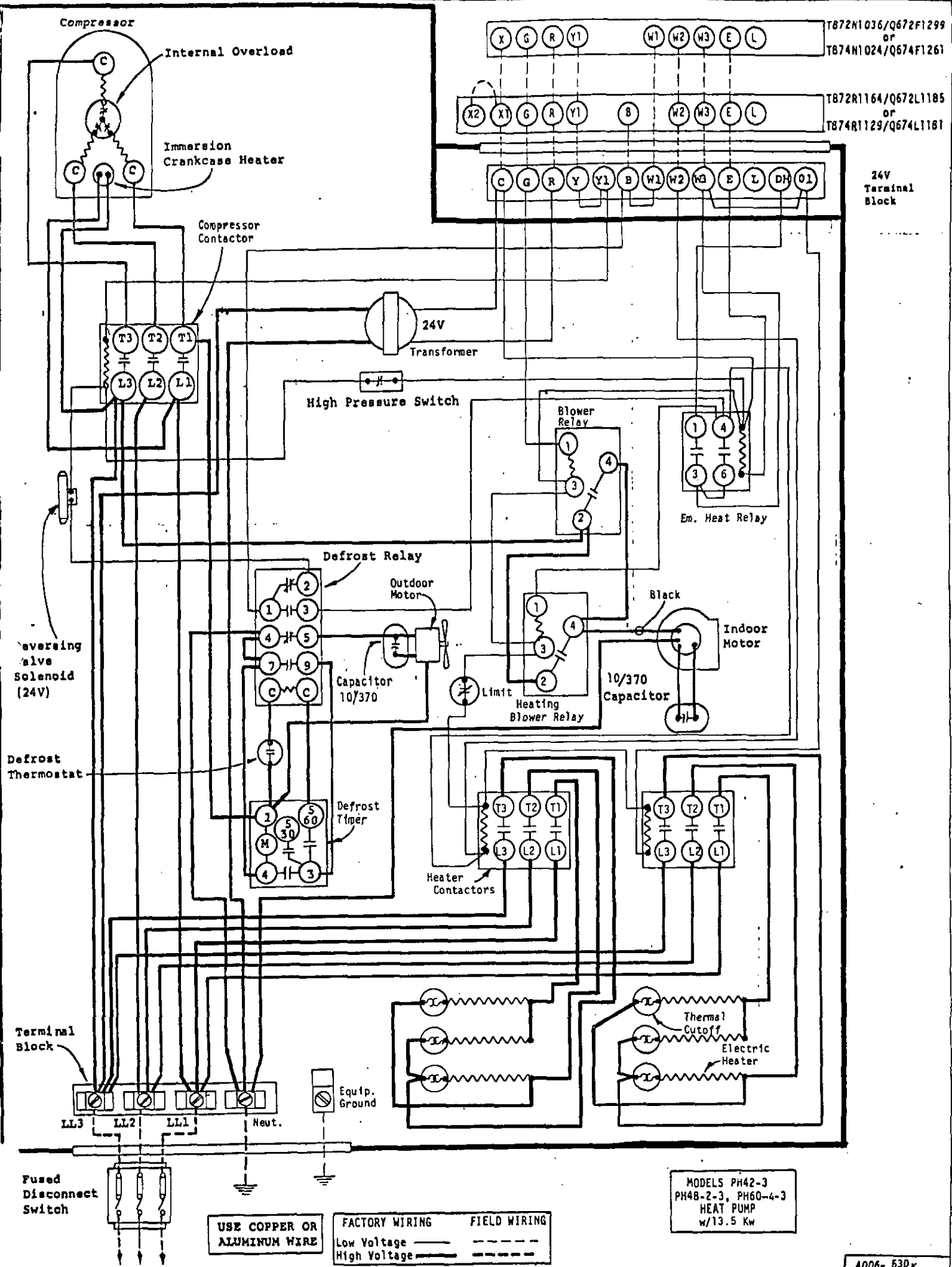
T872R1164/Q672L1185  
OR  
T874R1129/Q674L1181

24V  
Terminal  
Block

MODELS PH42-3  
PH48-2-3, PH60-2-3  
HEAT PUMP  
w/13.5 Kw

USE COPPER OR ALUMINUM WIRE

	FACTORY WIRING	FIELD WIRING
Low Voltage	—————	- - - - -
High Voltage	—————	—————



USE COPPER OR ALUMINUM WIRE

	FACTORY WIRING	FIELD WIRING
Low Voltage	—————	- - - - -
High Voltage	—————	- - - - -

MODELS PH42-3  
PH48-2-3, PH60-4-3  
HEAT PUMP  
w/13.5 Kw