

- ⚠ 1 Reroute jumper from X2-W2 to X2-E.
- ⚠ 2 Set heat anticipators at .40A for W1

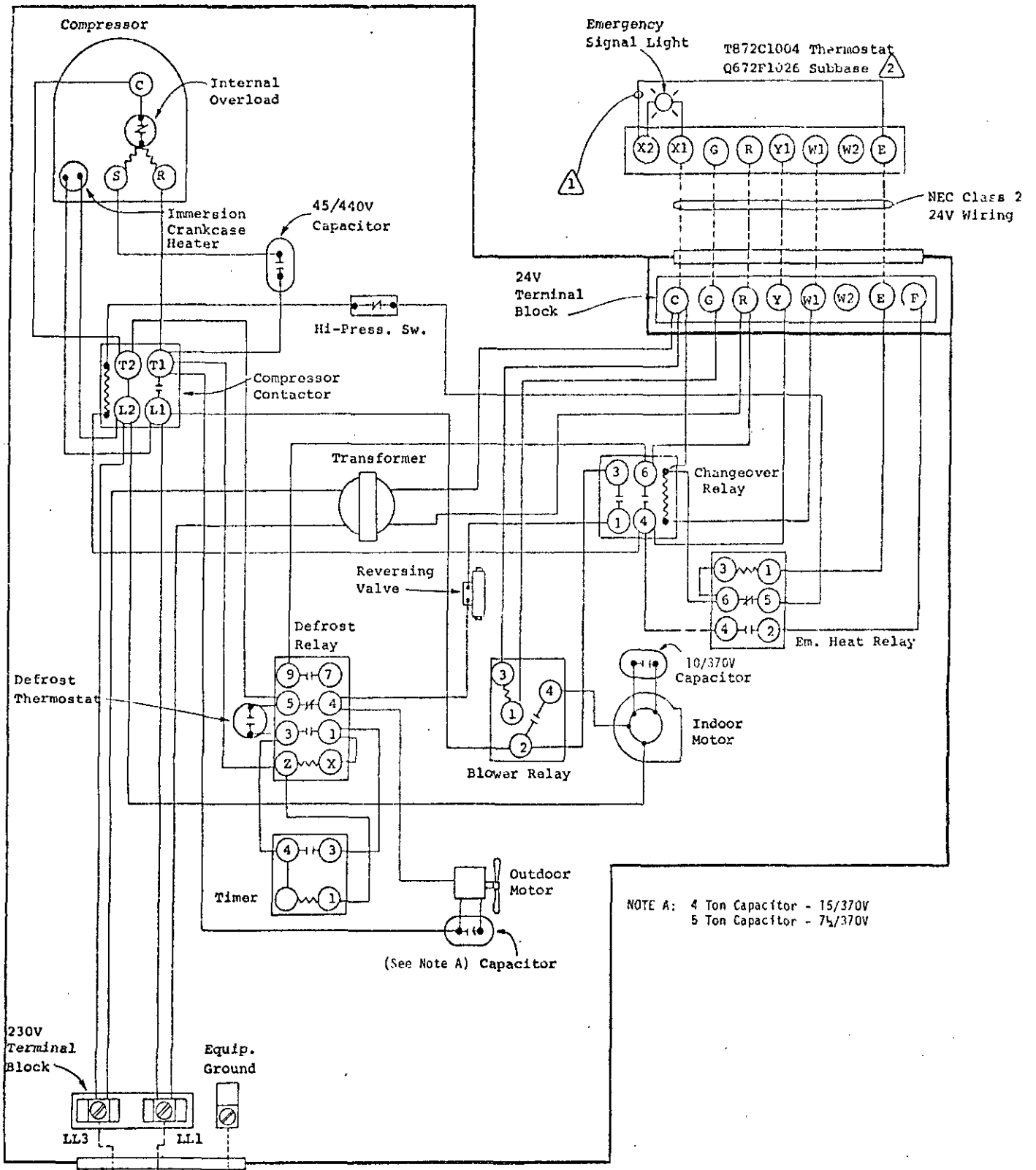
Fused Disconnect Switch

USE COPPER OR ALUMINUM WIRE

Factory Wiring ———

Field Wiring - - - - -

Single Package Heat Pump  
4 and 5 Ton



NOTE A: 4 Ton Capacitor - 15/370V  
 5 Ton Capacitor - 7 $\frac{1}{2}$ /370V

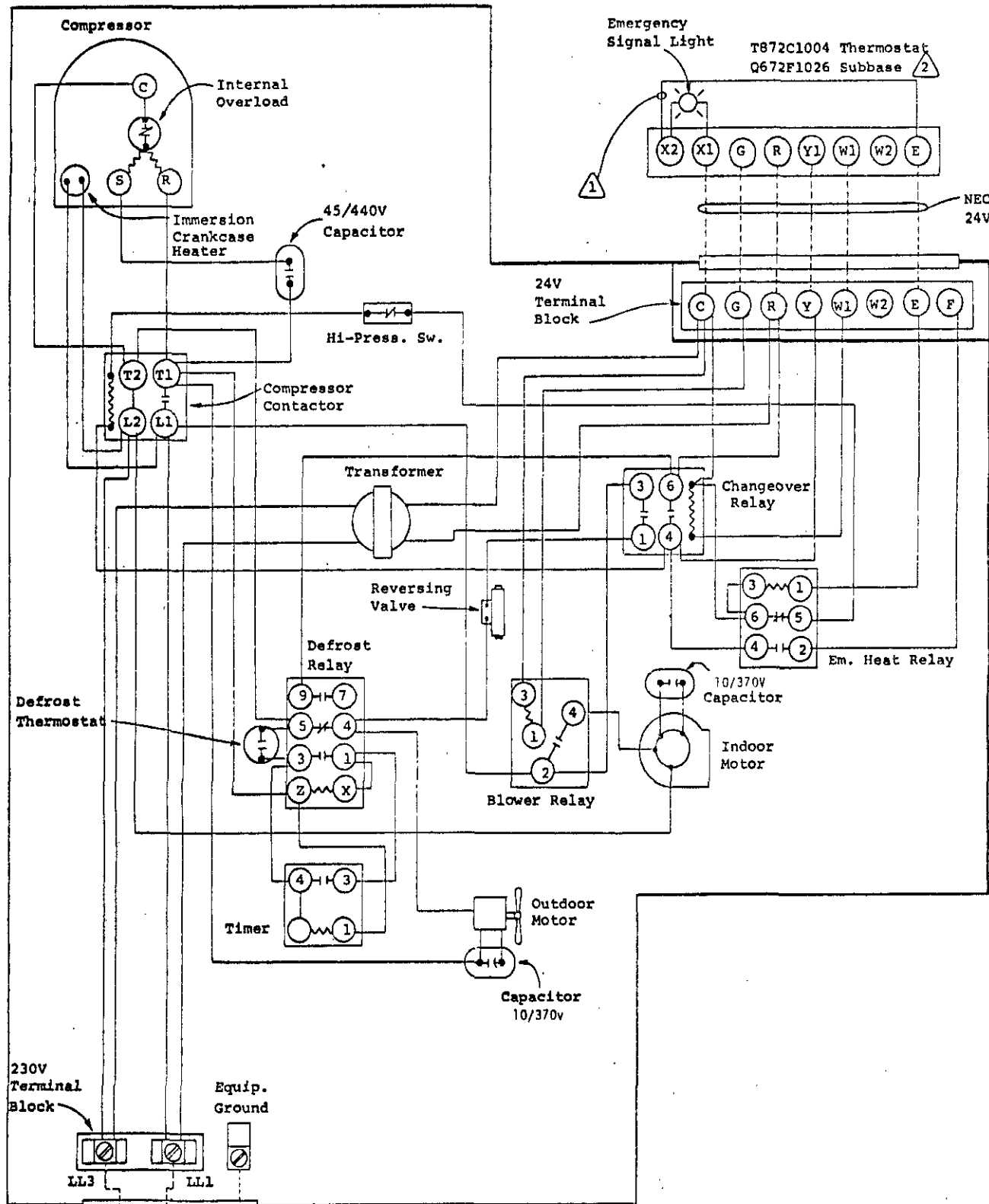
- ① Reroute jumper from X2-W2 to X2-E.
- ② Set heat anticipators at .40A for W1

Fused Disconnect Switch

USE COPPER OR ALUMINUM WIRE

Factory Wiring ———  
 Field Wiring - - - -

Single Package  
 Heat Pump  
 4 and 5 Ton



- ① Reroute jumper from X2-W2 to X2-E.
- ② Set heat anticipators at .40A for W1

Fused Disconnect Switch

USE COPPER OR ALUMINUM WIRE

Factory Wiring \_\_\_\_\_

Field Wiring - - - - -

Single Package Heat Pump  
4 and 5 Ton