

NEC Class 2
24V Wiring

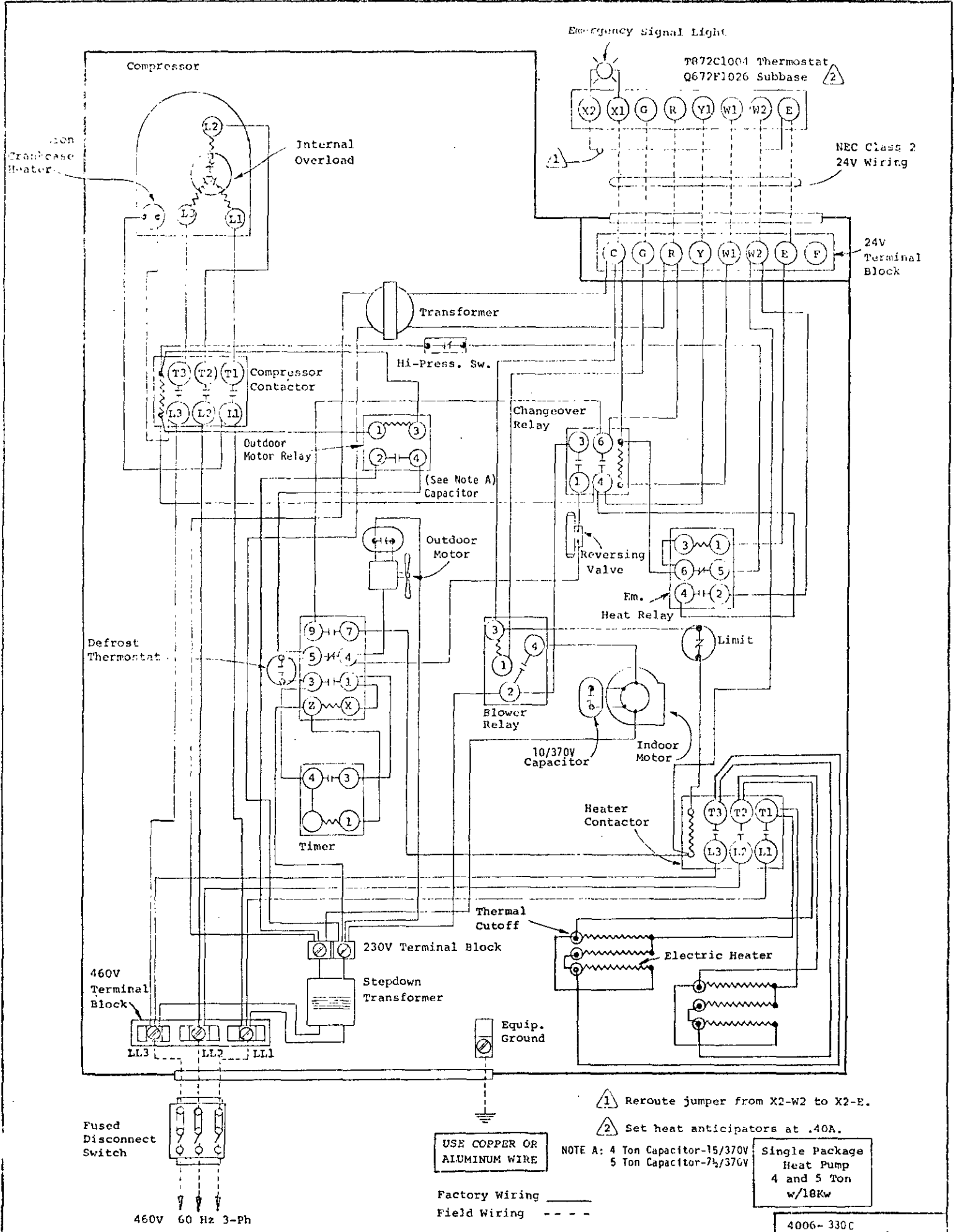
24V
Terminal
Block

USE COPPER OR
ALUMINUM WIRE

Factory Wiring ———
Field Wiring - - - -

Single Package
Heat Pump
4 and 5 Ton
w/18Kw

4006- 3308



Emergency Signal Light
 TR72C1004 Thermostat
 Q672F1026 Subbase

NEC Class 2
 24V Wiring

24V
 Terminal
 Block

Defrost
 Thermostat

460V
 Terminal
 Block

Fused
 Disconnect
 Switch

460V 60 Hz 3-Ph

USE COPPER OR
 ALUMINUM WIRE

Factory Wiring ———
 Field Wiring - - - -

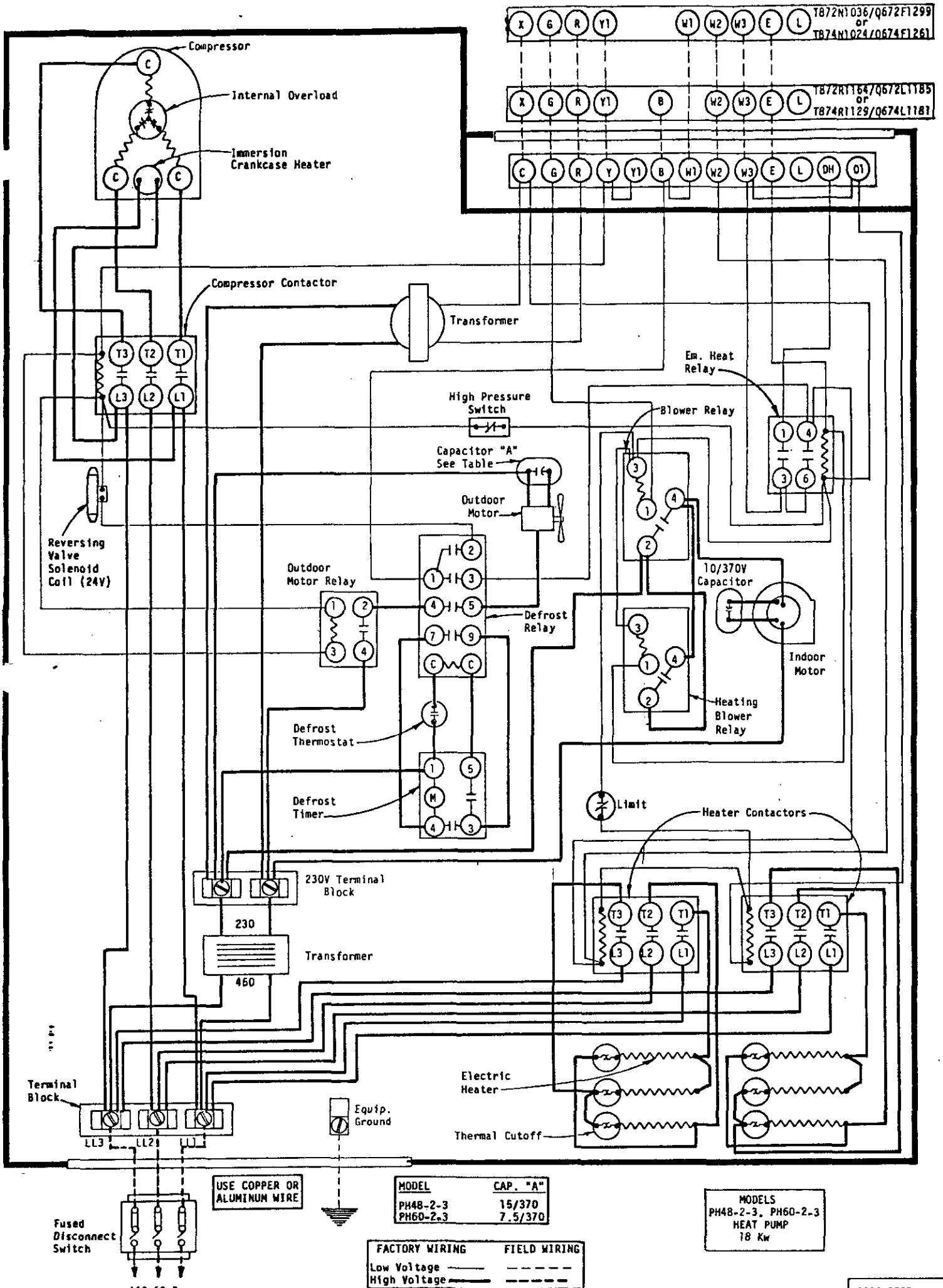
1 Reroute jumper from X2-W2 to X2-E.

2 Set heat anticipators at .40A.

NOTE A: 4 Ton Capacitor-15/370V
 5 Ton Capacitor-7 1/2/370V

Single Package
 Heat Pump
 4 and 5 Ton
 w/18Kw

4006- 330C



X G R Y1 W1 W2 W3 E L TB72N1036/Q672F1299 or TB74N1024/Q674F1261

X G R Y1 B W2 W3 E L TB72R1164/Q672L1185 or TB74R1129/Q674L1181

C G R Y Y1 B W1 W2 W3 E L DH O1

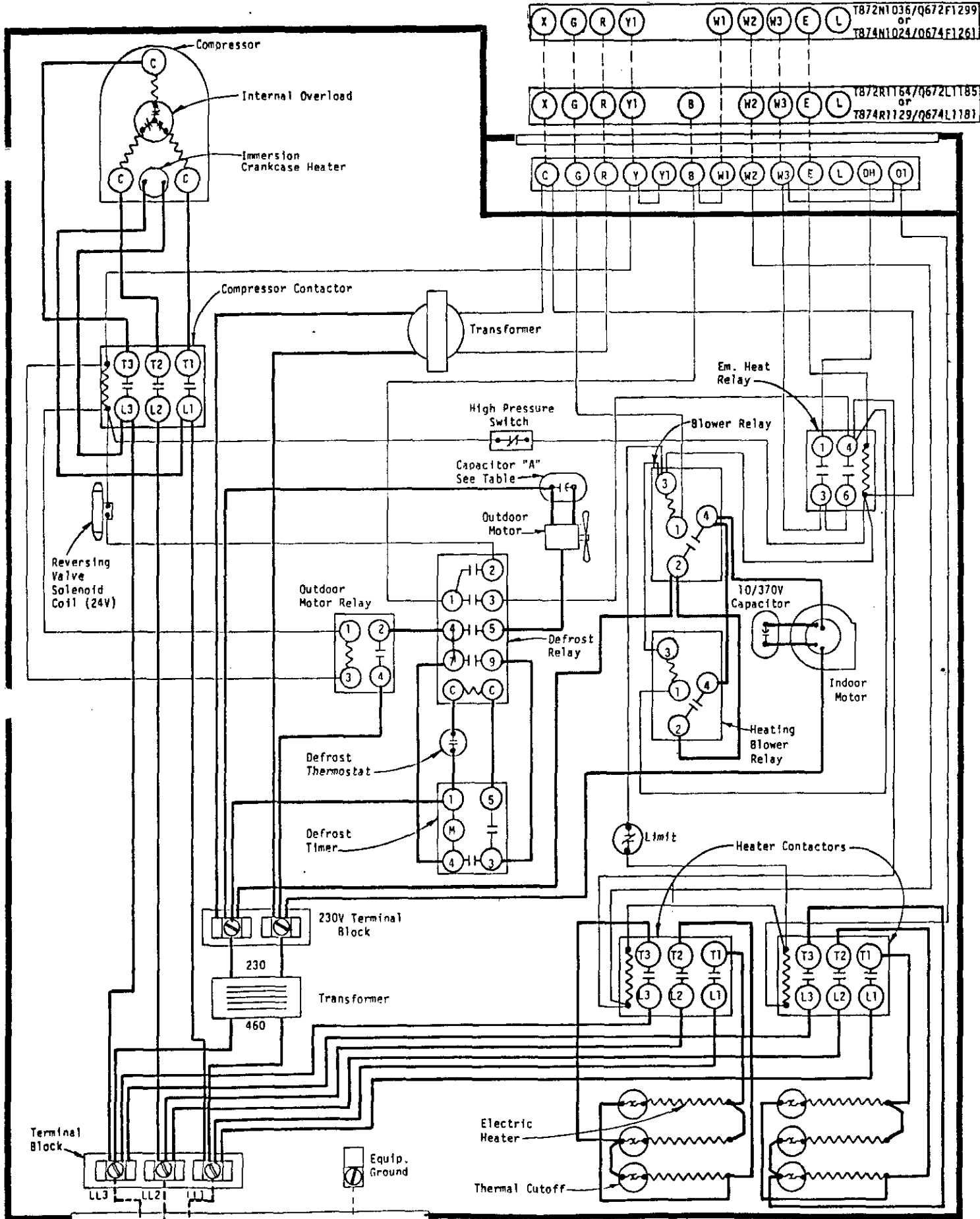
230V Terminal Block

230
Transformer
460

MODEL	CAP. "A"
PH48-2-3	15/370
PH60-2-3	7.5/370

MODELS
PH48-2-3, PH60-2-3
HEAT PUMP
18 Kw

FACTORY WIRING	FIELD WIRING
Low Voltage ———	-----
High Voltage - - - - -	-----



X G R Y1 W1 W2 W3 E L T872N1036/Q672F1299 or T874N1024/Q674F1261

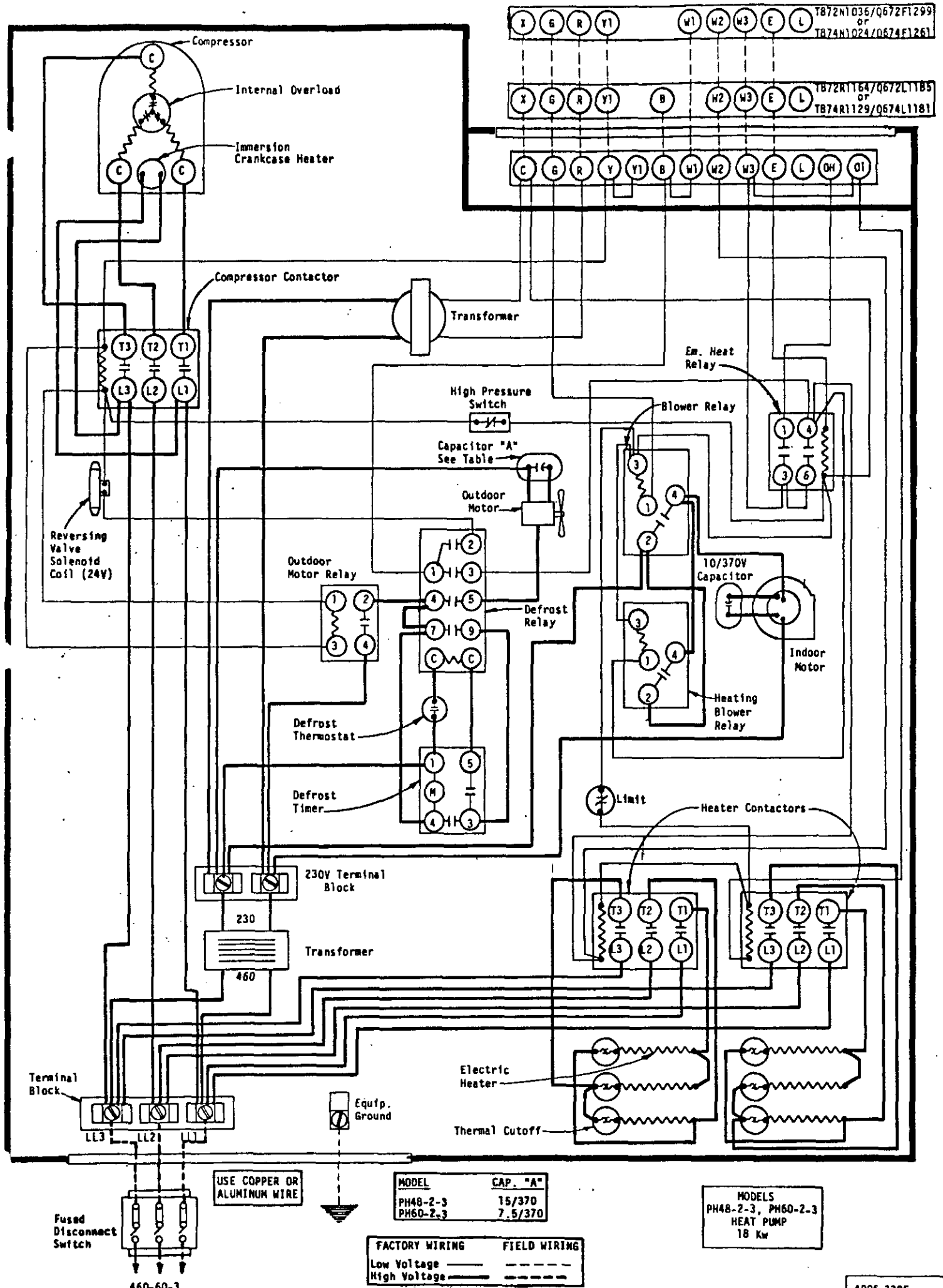
X G R Y1 B W2 W3 E L T872R1164/Q672L1185 or T874R1129/Q674L1181

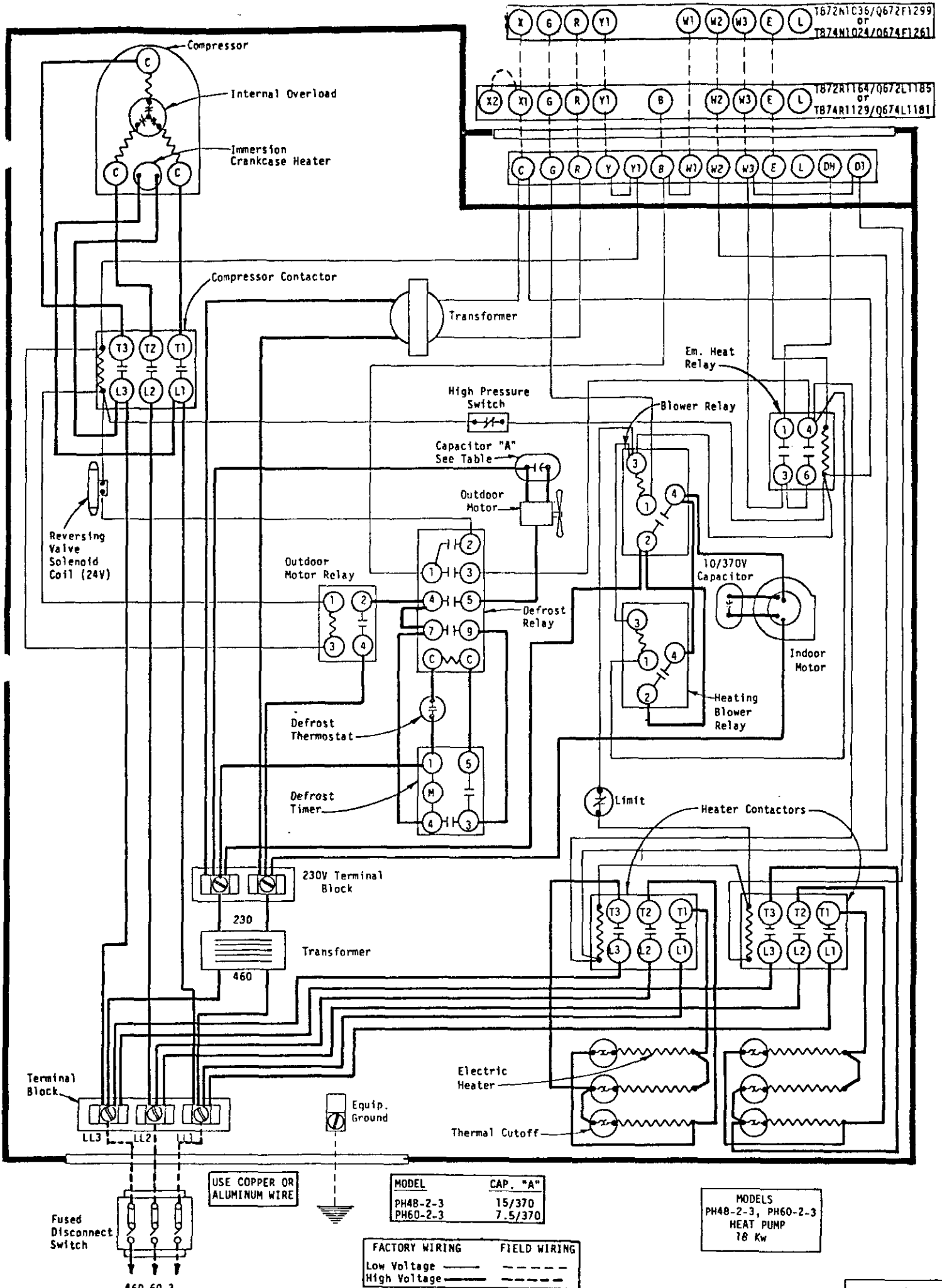
C G R Y Y1 B W1 W2 W3 E L OH O1

MODEL	CAP. "A"
PH48-2-3	15/370
PH60-2-3	7.5/370

MODELS
PH48-2-3, PH60-2-3
HEAT PUMP
18 Kw

FACTORY WIRING FIELD WIRING
 Low Voltage ———
 High Voltage - - - - -





TB72N1036/Q672F1299
OR
TB74N1024/Q674F1261

TB72N1164/Q672L1185
OR
TB74N1129/Q674L1181

C G R Y Y1 B W1 W2 W3 E L D1 D2

230V Terminal Block
230
Transformer
460

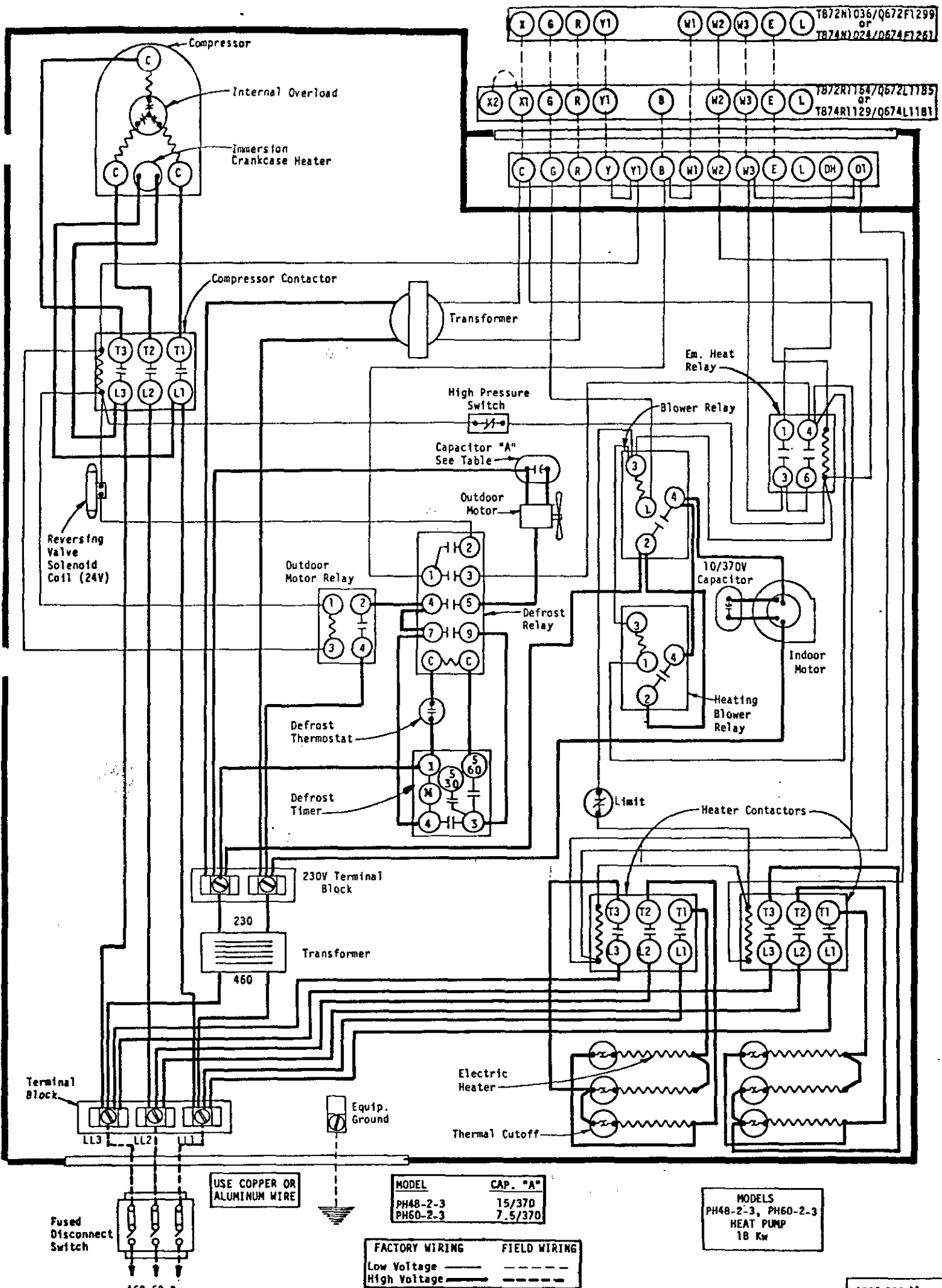
MODEL	CAP. "A"
PH48-2-3	15/370
PH60-2-3	7.5/370

MODELS
PH48-2-3, PH60-2-3
HEAT PUMP
18 Kw

FACTORY WIRING	FIELD WIRING
Low Voltage	-----
High Voltage	-----

Fused Disconnect Switch

460-60-3



TB72N1036/Q672F1299
OR
TB74N1024/Q674F1261

X2 X1 G R Y1 B W2 W3 E L TB72R1164/Q672L1185
OR
TB74R1129/Q674L1181

C G R Y Y1 B W1 W2 W3 E L DH D1

USE COPPER OR ALUMINUM WIRE

MODEL	CAP. "A"
PH48-2-3	15/370
PH60-2-3	7.5/370

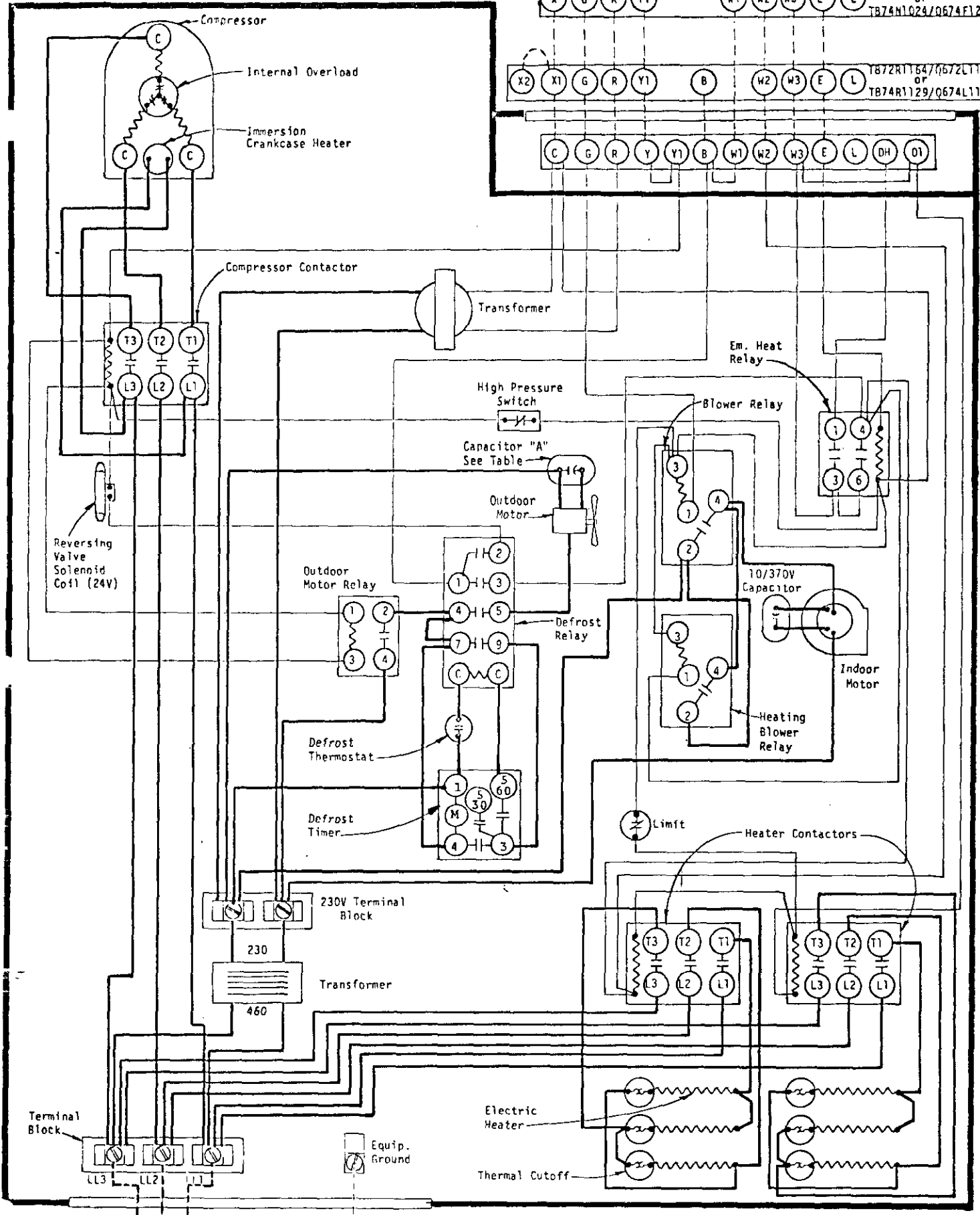
MODELS
PH48-2-3, PH60-2-3
HEAT PUMP
18 Kw

FACTORY WIRING	FIELD WIRING
Low Voltage _____	Low Voltage _____
High Voltage _____	High Voltage _____

X G R Y1 W1 W2 W3 E L TB72N1036/Q672F1299 or TB74N1024/Q674F1261

X2 X1 G R Y1 B W2 W3 E L TB72R1154/Q672L11B5 or TB74R1129/Q674L11B1

C G R Y Y1 B W1 W2 W3 E L DH D1



USE COPPER OR ALUMINUM WIRE

MODEL	CAP. "A"
PH48-2-3	15/370
PH60-4-3	7.5/370

MODELS
PH48-2-3, PH60-4-3
HEAT PUMP
18 Kw

FACTORY WIRING	FIELD WIRING
Low Voltage	-----
High Voltage	-----

Fused Disconnect Switch

460-60-3