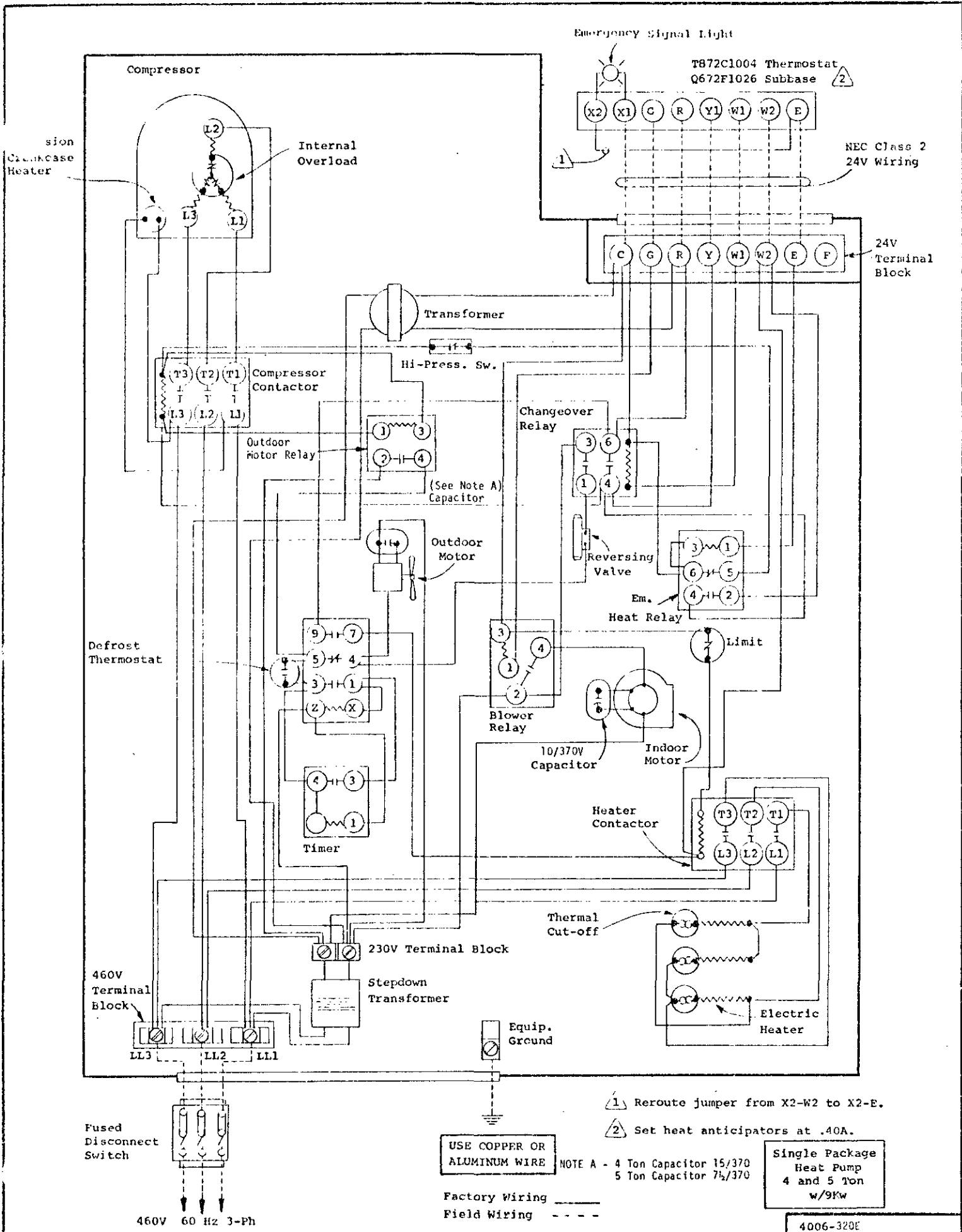


- ① Reroute jumper from X2-W2 to X2-E.
- ② Set heat anticipators at .40A.

USE COPPER OR ALUMINUM WIRE

Factory Wiring ———  
Field Wiring - - - - -

Single Package Heat Pump  
4 and 5 Ton  
w/9Kw



Emergency Signal Light

T872C1004 Thermostat  
Q672F1026 Subbase

NEC Class 2  
24V Wiring

24V  
Terminal Block

Compressor

Internal  
Overload

Compressor  
Case Heater

Transformer

Hi-Press. Sw.

Compressor  
Contactor

Changeover  
Relay

Outdoor  
Motor Relay

(See Note A)  
Capacitor

Outdoor  
Motor

Reversing  
Valve

Em.  
Heat Relay

Defrost  
Thermostat

Limit

10/370V  
Capacitor

Indoor  
Motor

Blower  
Relay

Heater  
Contactor

230V Terminal Block

Stepdown  
Transformer

Thermal  
Cut-off

Electric  
Heater

460V  
Terminal  
Block

Equip.  
Ground

Fused  
Disconnect  
Switch

460V 60 Hz 3-Ph

USE COPPER OR  
ALUMINUM WIRE

NOTE A - 4 Ton Capacitor 15/370  
5 Ton Capacitor 7 1/2/370

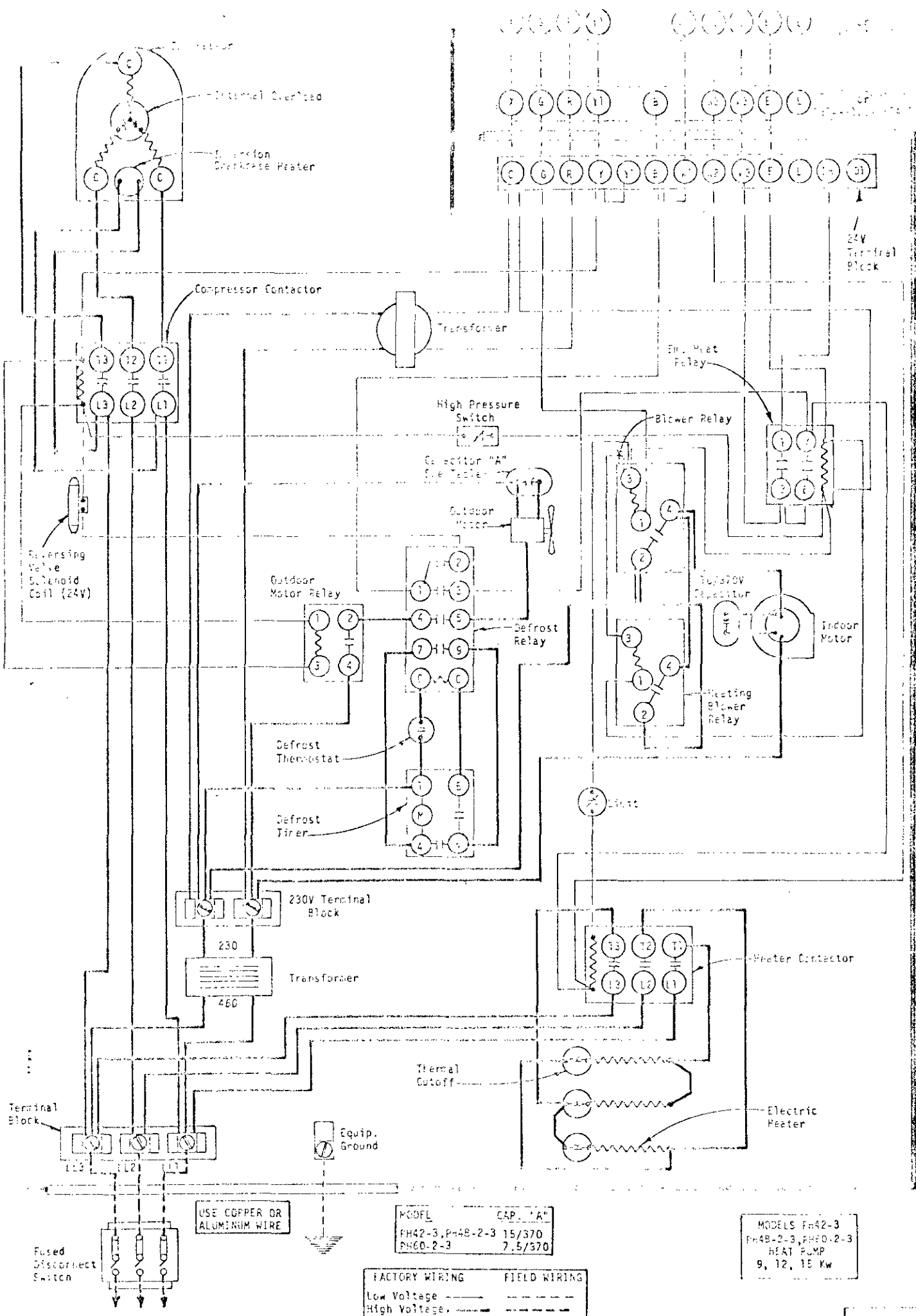
Single Package  
Heat Pump  
4 and 5 Ton  
w/9kw

Factory Wiring ———  
Field Wiring - - - - -

4006-320E

1 Reroute jumper from X2-W2 to X2-E.

2 Set heat anticipators at .40A.



USE COPPER OR ALUMINUM WIRE

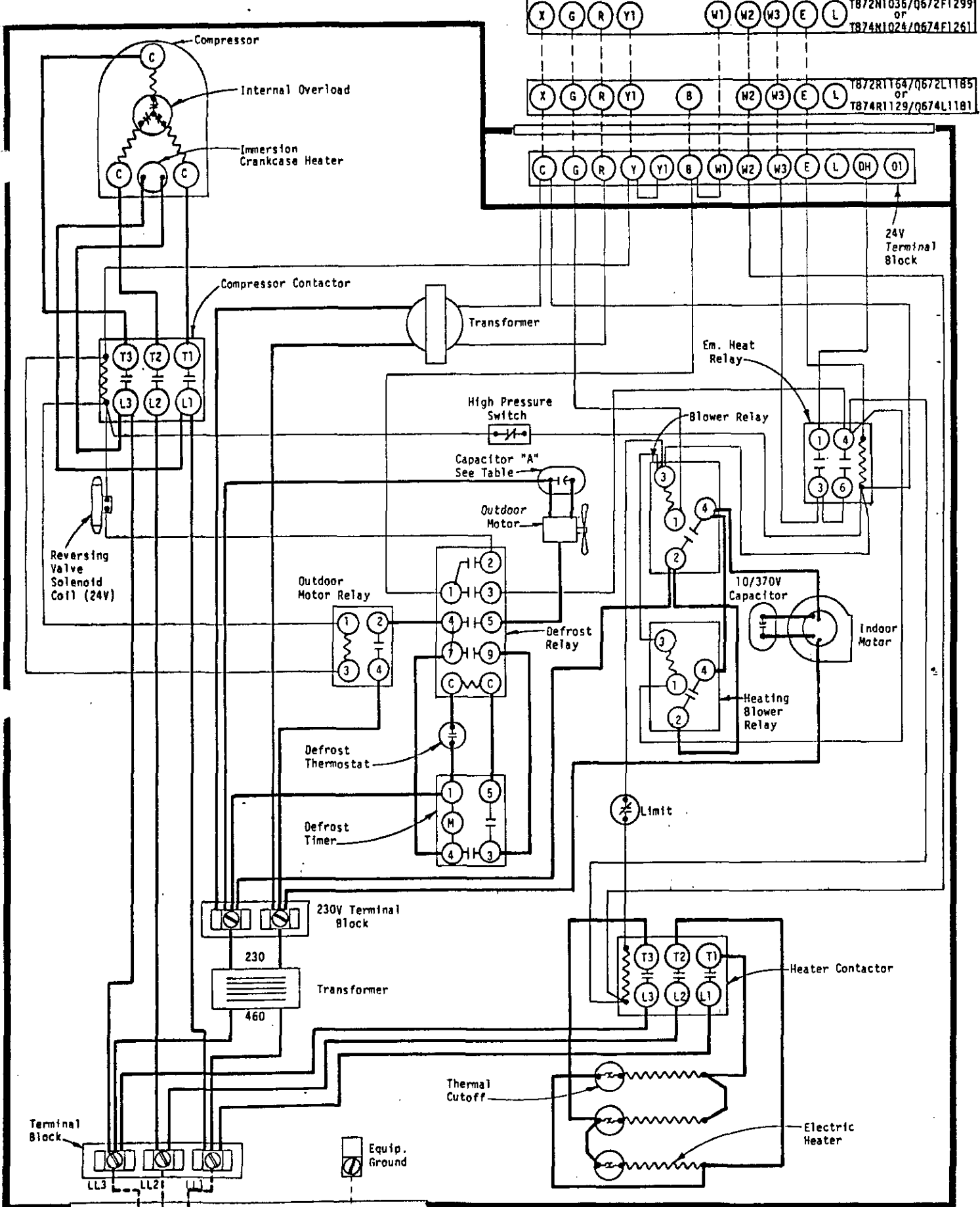
MODEL CAP. A.M.  
 PH42-3, PH48-2-3 15/370  
 PH60-2-3 7.5/370

MODELS PH42-3  
 PH48-2-3, PH60-2-3  
 HEAT PUMP  
 9, 12, 15 Kw

FACTORY WIRING FIELD WIRING  
 Low Voltage ———  
 High Voltage - - - - -

460-60-3

4006-310F



X G R Y1 W1 W2 W3 E L T872N1036/Q672F1299 or T874N1024/Q674F1261

X G R Y1 B W2 W3 E L T872R1164/Q672L1185 or T874R1129/Q674L1181

C G R Y1 B W1 W2 W3 E L DH O1

24V Terminal Block

230V Terminal Block

230  
460  
Transformer

Terminal Block  
LL3 LL2 LL1

Fused Disconnect Switch

460-60-3

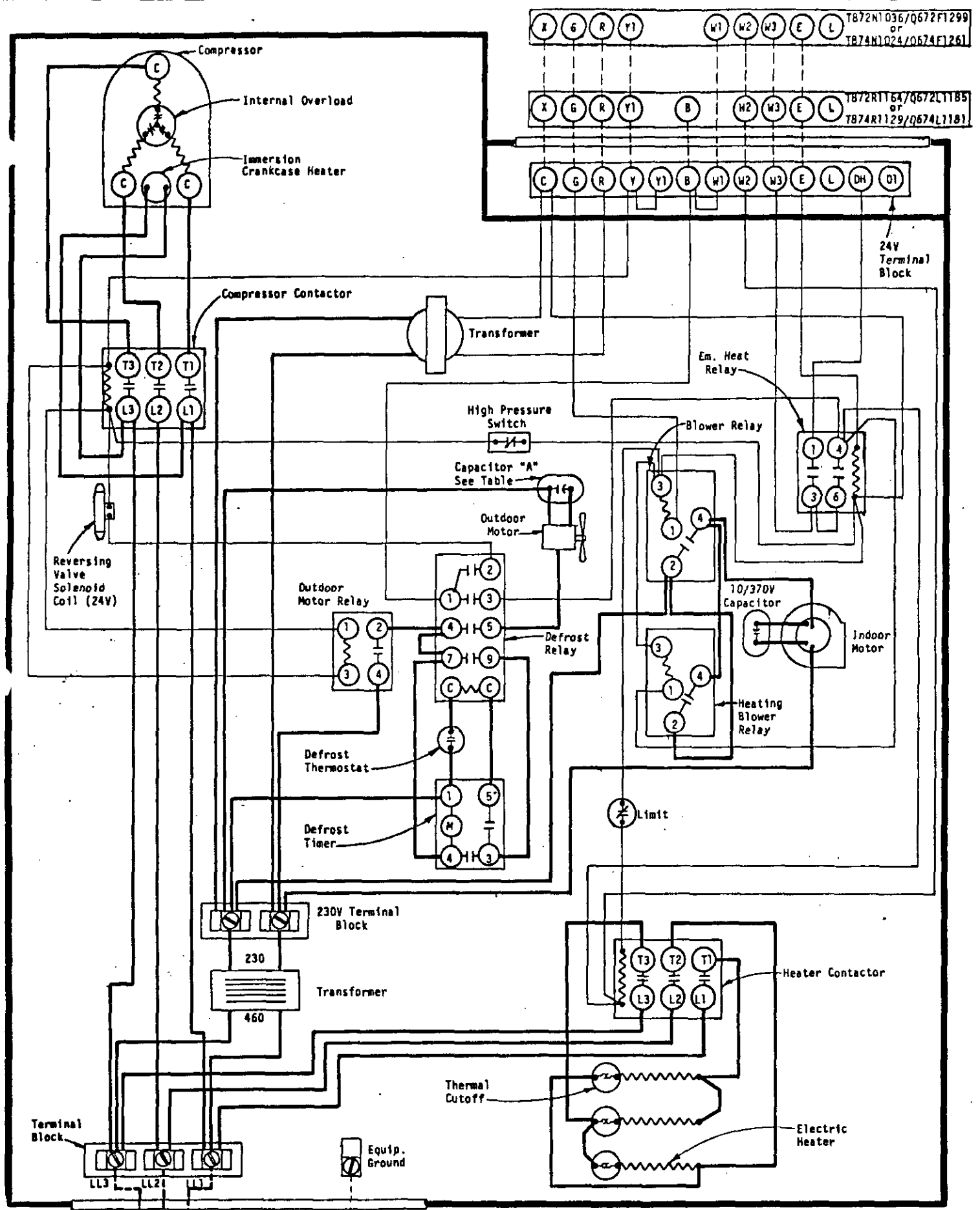
USE COPPER OR ALUMINUM WIRE

MODEL	CAP. "A"
PH42-3, PH48-2-3	15/370
PH60-2-3	7.5/370

FACTORY WIRING	FIELD WIRING
Low Voltage	-----
High Voltage	-----

MODELS PH42-3  
PH48-2-3, PH60-2-3  
HEAT PUMP  
9, 12, 15 Kw

4006-32CG



X G R Y1      W1 W2 W3 E L      TB72N1036/Q672F1299  
 or  
 TB74N1024/Q674F1261

X G R Y1      B      W2 W3 E L      TB72R1164/Q672LT1B5  
 or  
 TB74R1129/Q674L11B1

24V  
Terminal  
Block

230V Terminal Block

230  
460  
Transformer

Terminal Block  
LL3 LL2 LL1

Fused Disconnect Switch

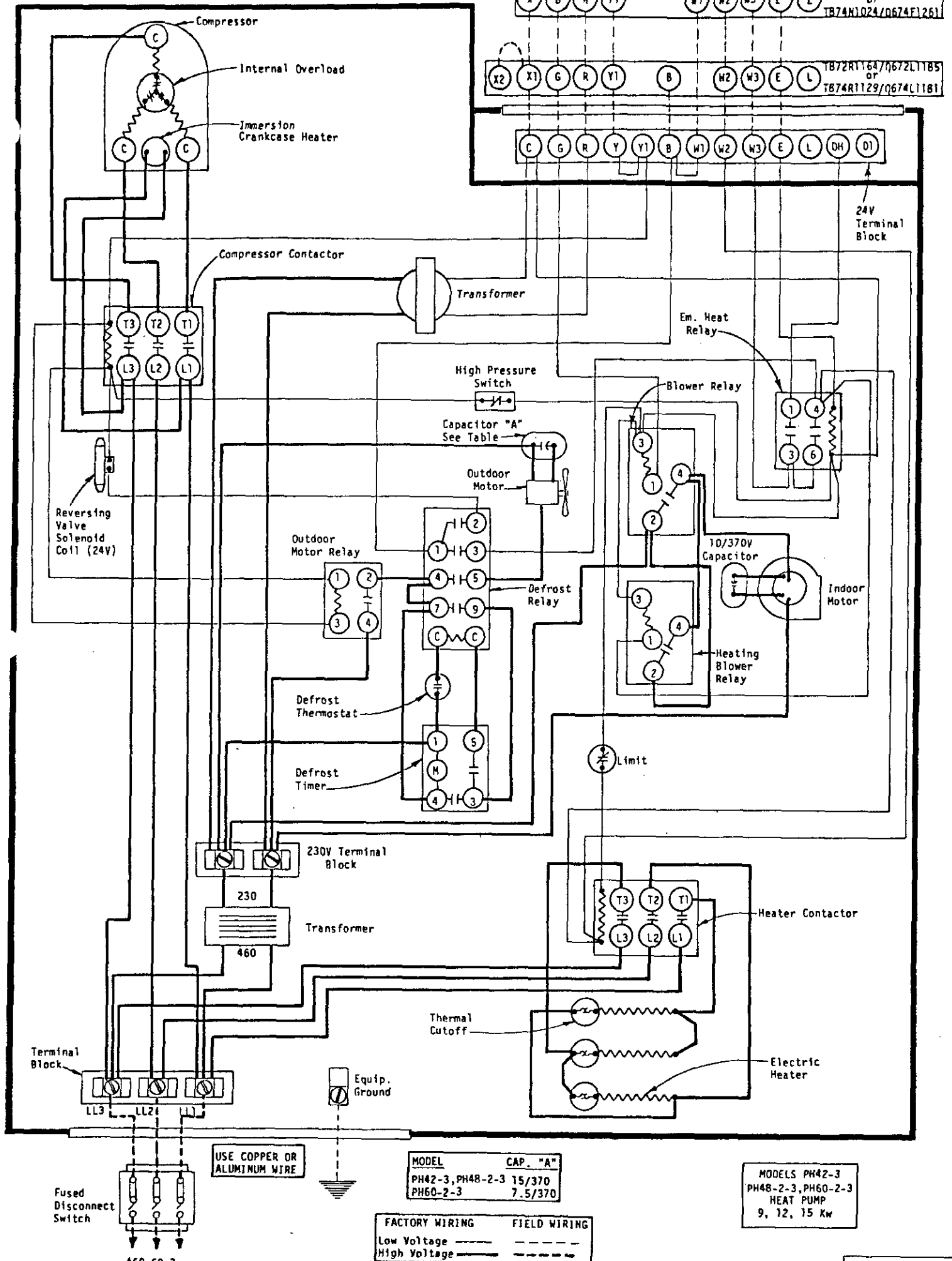
460-60-3

USE COPPER OR ALUMINUM WIRE

MODEL	CAP. "A"
PH42-3, PH48-2-3	15/370
PH60-2-3	7.5/370

FACTORY WIRING	FIELD WIRING
Low Voltage	-----
High Voltage	-----

MODELS PH42-3  
 PH48-2-3, PH60-2-3  
 HEAT PUMP  
 9, 12, 15 Kw



X G R Y1 W1 W2 W3 E L TB72N1C35/Q672F1299 or TB74N1Q24/Q674F1261

X2 X1 G R Y1 B W2 W3 E L TB72R1164/Q672L1185 or TB74R1129/Q674L1181

C G R Y Y1 B W1 W2 W3 E L DH D1

24V Terminal Block

230V Terminal Block

230  
460  
Transformer

Terminal Block  
LL3 LL2 LL1

Fused Disconnect Switch  
460-60-3

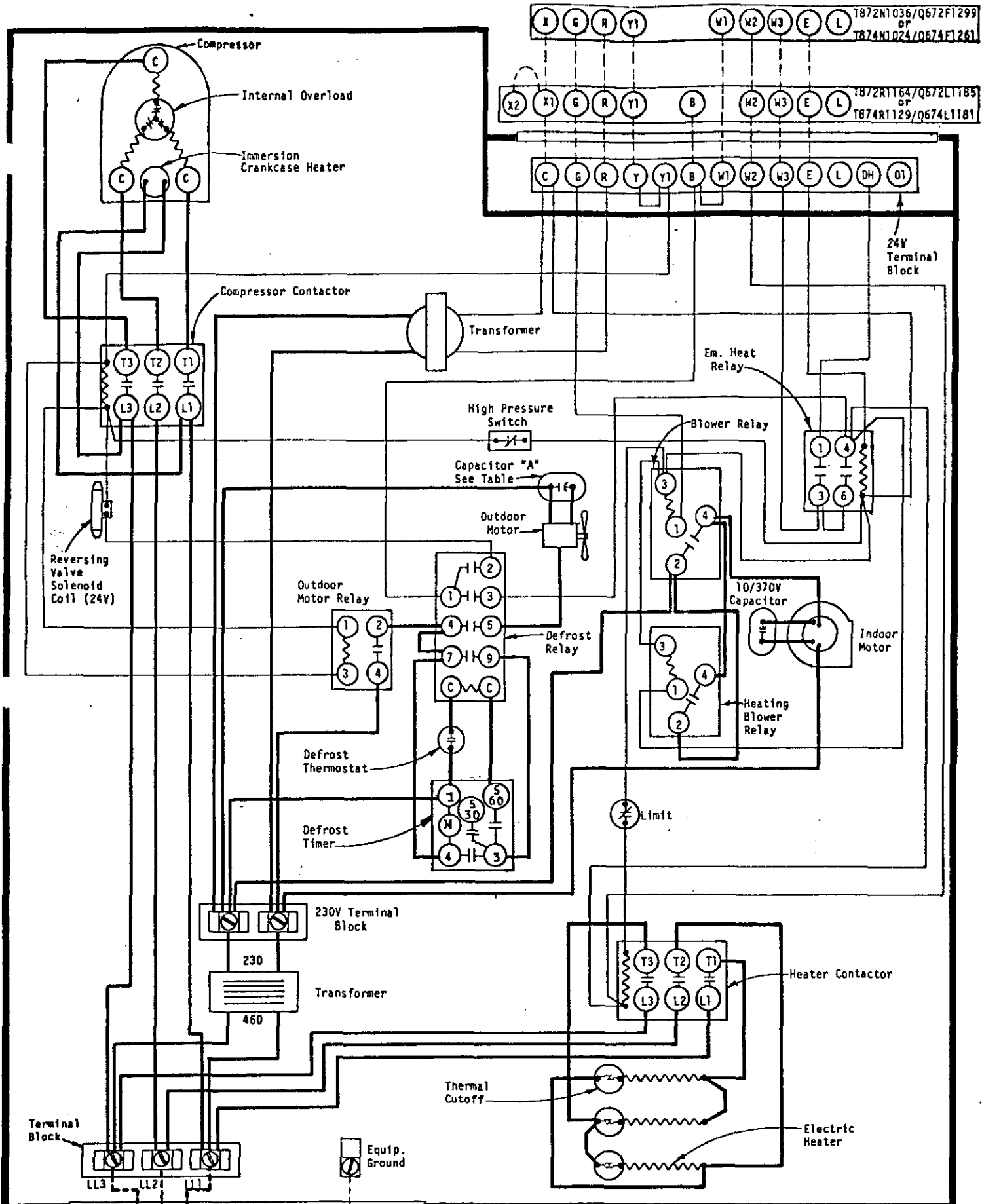
USE COPPER OR ALUMINUM WIRE

MODEL CAP. "A"  
PH42-3, PH48-2-3 15/370  
PH60-2-3 7.5/370

FACTORY WIRING FIELD WIRING  
Low Voltage ———  
High Voltage - - - - -

MODELS PH42-3  
PH48-2-3, PH60-2-3  
HEAT PUMP  
9, 12, 15 Kw

4006-3201



X G R Y1 W1 W2 W3 E L TB72N1036/Q672F1299  
or  
TB74N1024/Q674F1261

X2 X1 G R Y1 B W2 W3 E L TB72R1164/Q672L1185  
or  
TB74R1129/Q674L1181

C G R Y1 Y1 B W1 W2 W3 E L DH O1

24V Terminal Block

230V Terminal Block

230  
460

Terminal Block  
LL3 LL2 LL1

USE COPPER OR ALUMINUM WIRE

MODEL	CAP. "A"
PH42-3, PH48-2-3	15/370
PH60-2-3	7.5/370

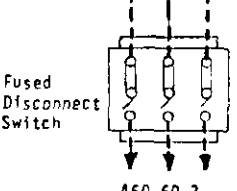
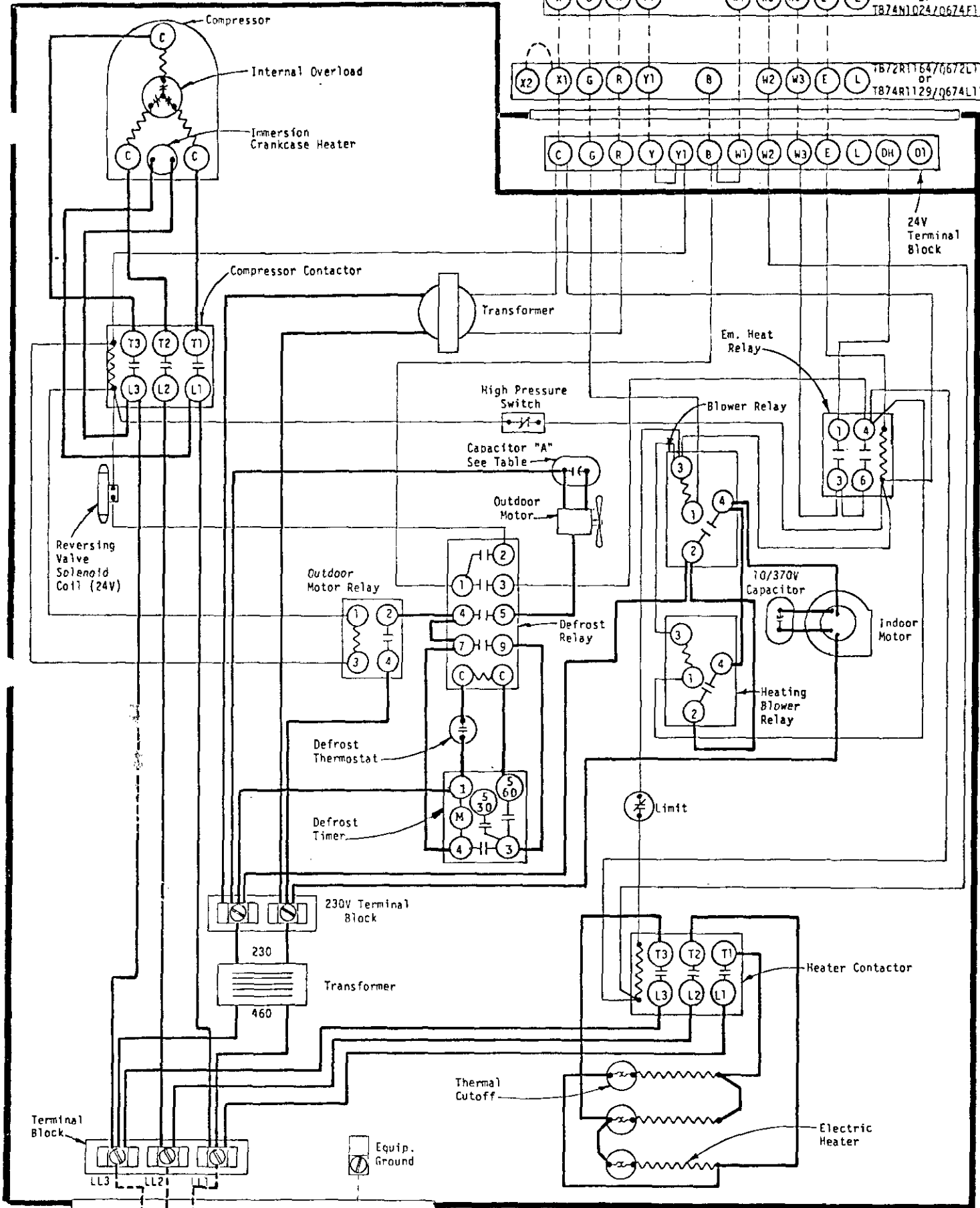
MODELS PH42-3  
PH48-2-3, PH60-2-3  
HEAT PUMP  
9, 12, 15 KW

FACTORY WIRING	FIELD WIRING
Low Voltage	-----
High Voltage	-----

X G R Y1 W1 W2 W3 E L T872N1036/Q672F1299 or T874N1024/Q674F1261

X2 X1 G R Y1 B W2 W3 E L T872R1164/Q672L1185 or T874R1129/Q674L1181

C G R Y Y1 B W1 W2 W3 E L DH O1



USE COPPER OR ALUMINUM WIRE

MODEL	CAP. "A"
PH42-3, PH48-2-3	15/370
PH60-4-3	7.5/370

MODELS PH42-3  
PH48-2-3, PH60-4-3  
HEAT PUMP  
9, 12, 15 Kw

FACTORY WIRING	FIELD WIRING
Low Voltage	-----
High Voltage	-----