

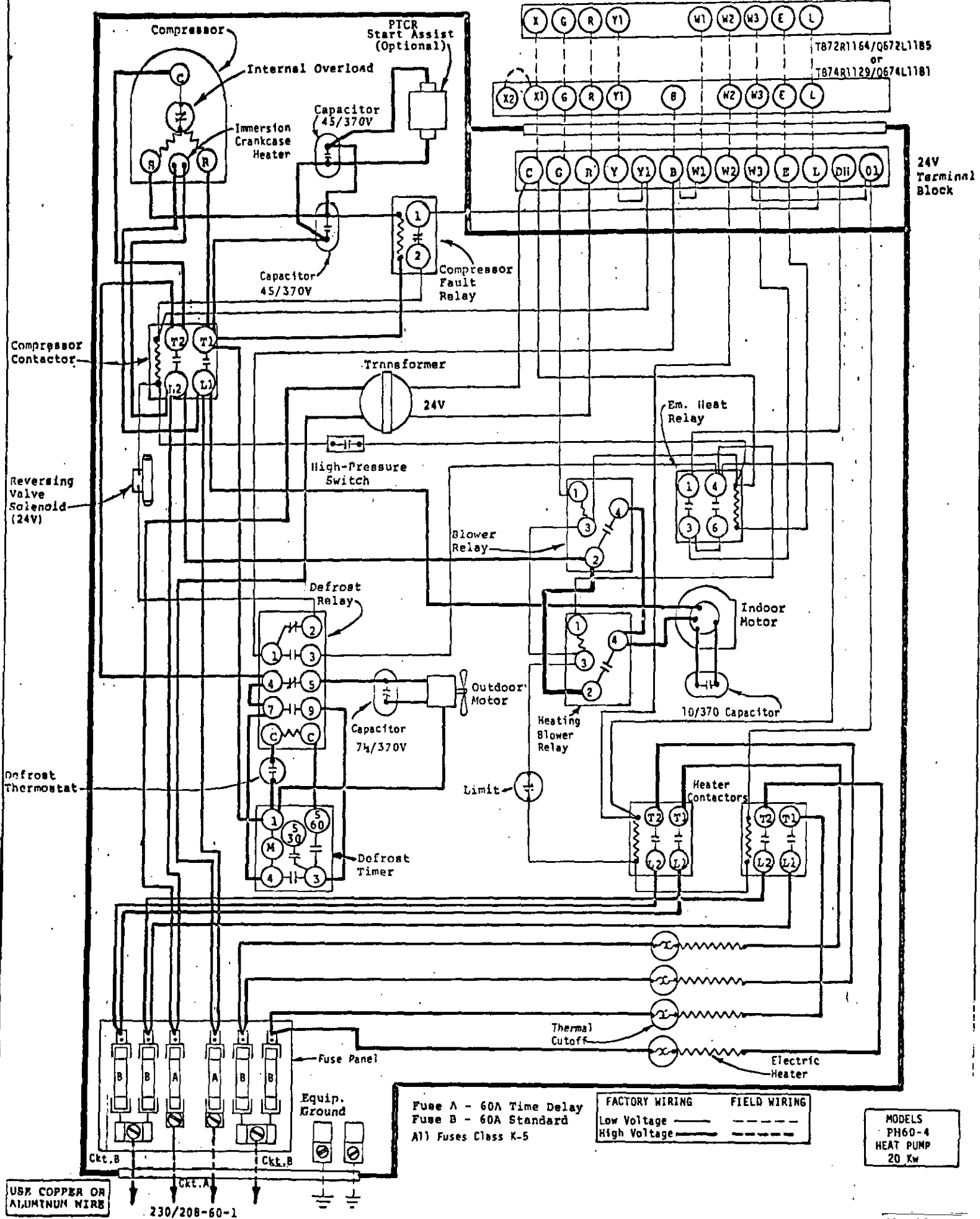
USE COPPER OR ALUMINUM WIRE

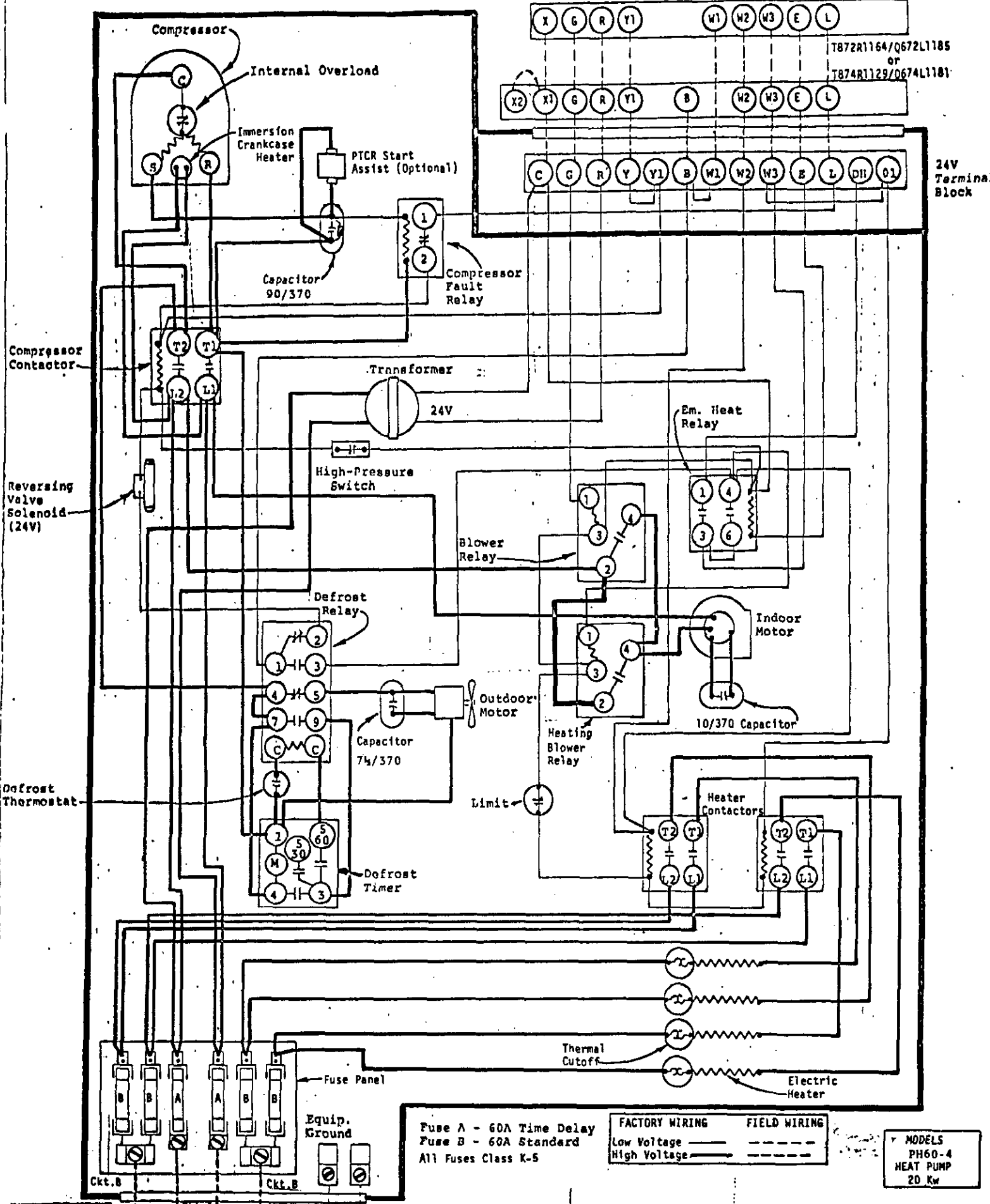
230/208-60-1

Fuse A - 60A Time Delay
 Fuse B - 60A Standard
 All Fuses Class K-5

	FACTORY WIRING	FIELD WIRING
Low Voltage	—	- - -
High Voltage	—	- - -

MODELS
 PH6D-4
 HEAT PUMP
 20 Kw





USE COPPER OR ALUMINUM WIRE

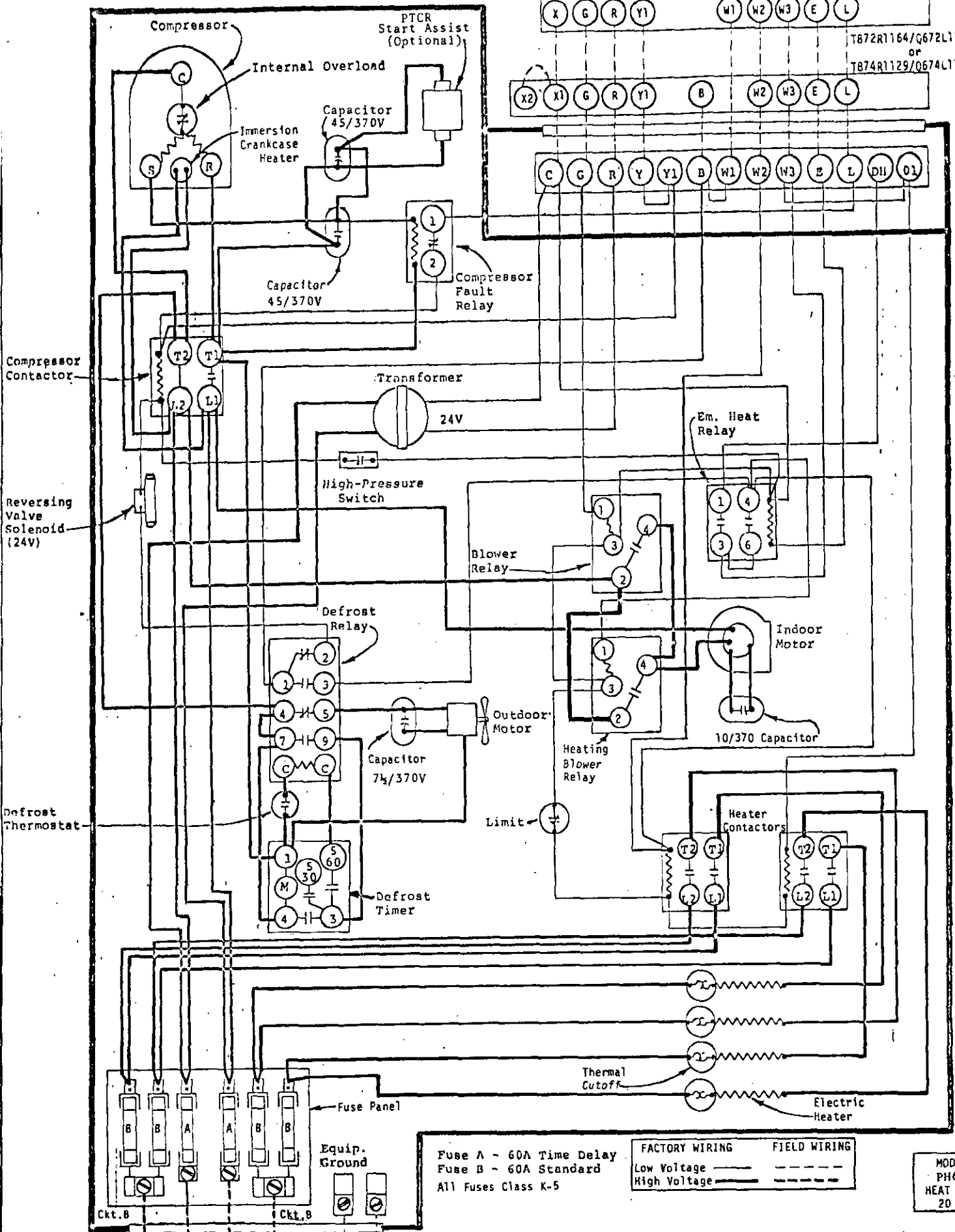
230/208-60-1

Fuse A - 60A Time Delay
 Fuse B - 60A Standard
 All Fuses Class K-5

FACTORY WIRING	FIELD WIRING
Low Voltage	-----
High Voltage	-----

MODELS
 PH60-4
 HEAT PUMP
 20 Kw

24V
Terminal
Block



Fuse A - 60A Time Delay
 Fuse B - 60A Standard
 All Fuses Class K-5

	FACTORY WIRING	FIELD WIRING
Low Voltage	—————	- - - - -
High Voltage	—————	—————

MODELS
 PH60-4
 HEAT PUMP
 20 Kw

USE COPPER OR
 ALUMINUM WIRE

230/208-60-1

4006-151 C