

230/208-60-1

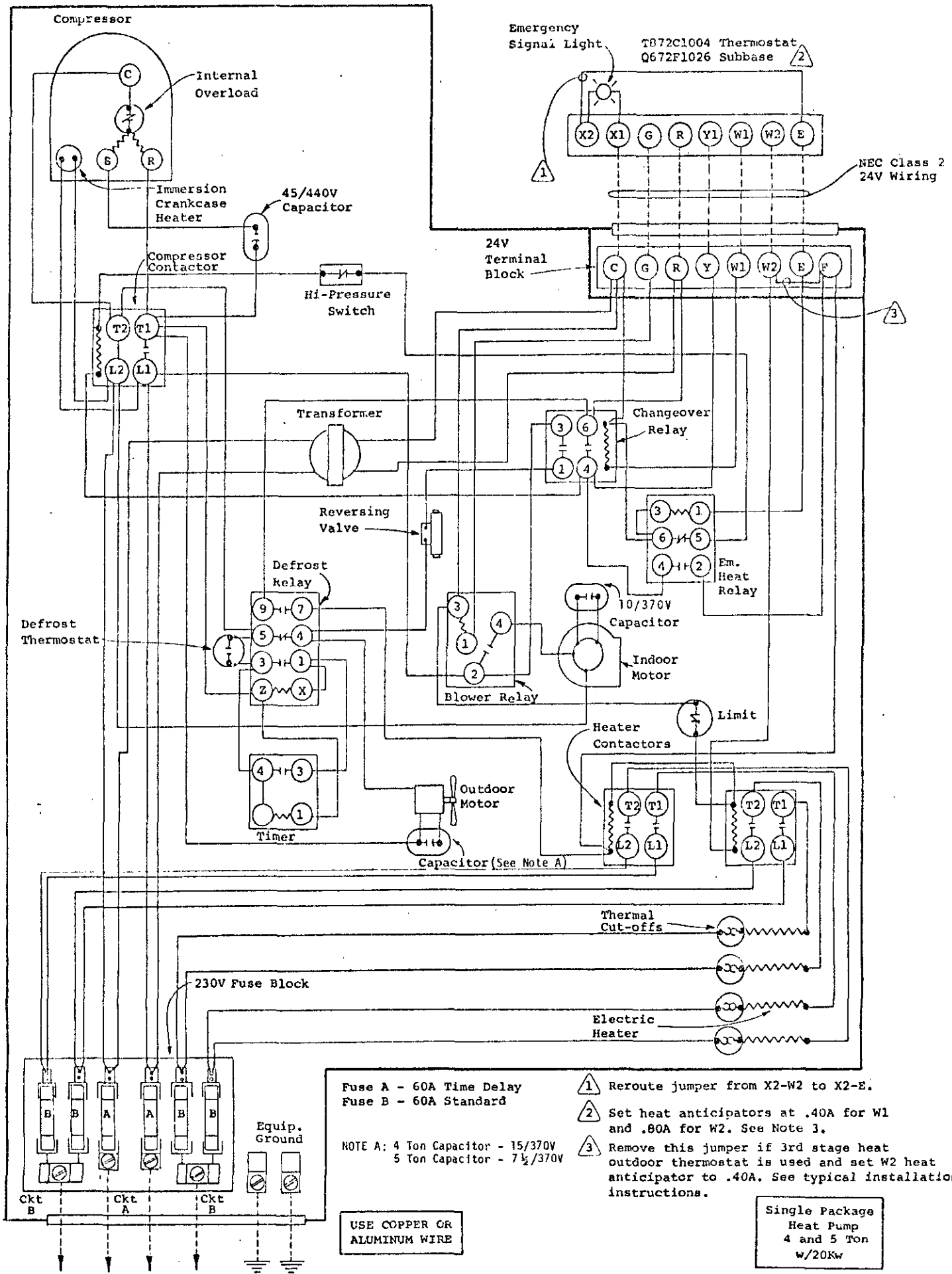
Fuse A - 60A Time Delay  
 Fuse B - 60A Standard

USE COPPER OR ALUMINUM WIRE

Factory Wiring \_\_\_\_\_  
 Field Wiring - - - - -

- ⚠ 1 Reroute jumper from X2-W2 to X2-E.
- ⚠ 2 Set heat anticipators at .40A for W1 and .80A for W2. See Note 3.
- ⚠ 3 Remove this jumper if 3rd stage heat outdoor thermostat is used and set W2 heat anticipator to .40A. See typical installation instructions.

Single Package Heat Pump  
 4 and 5 Ton  
 w/20kw



Fuse A - 60A Time Delay  
 Fuse B - 60A Standard

NOTE A: 4 Ton Capacitor - 15/370V  
 5 Ton Capacitor - 7 1/2/370V

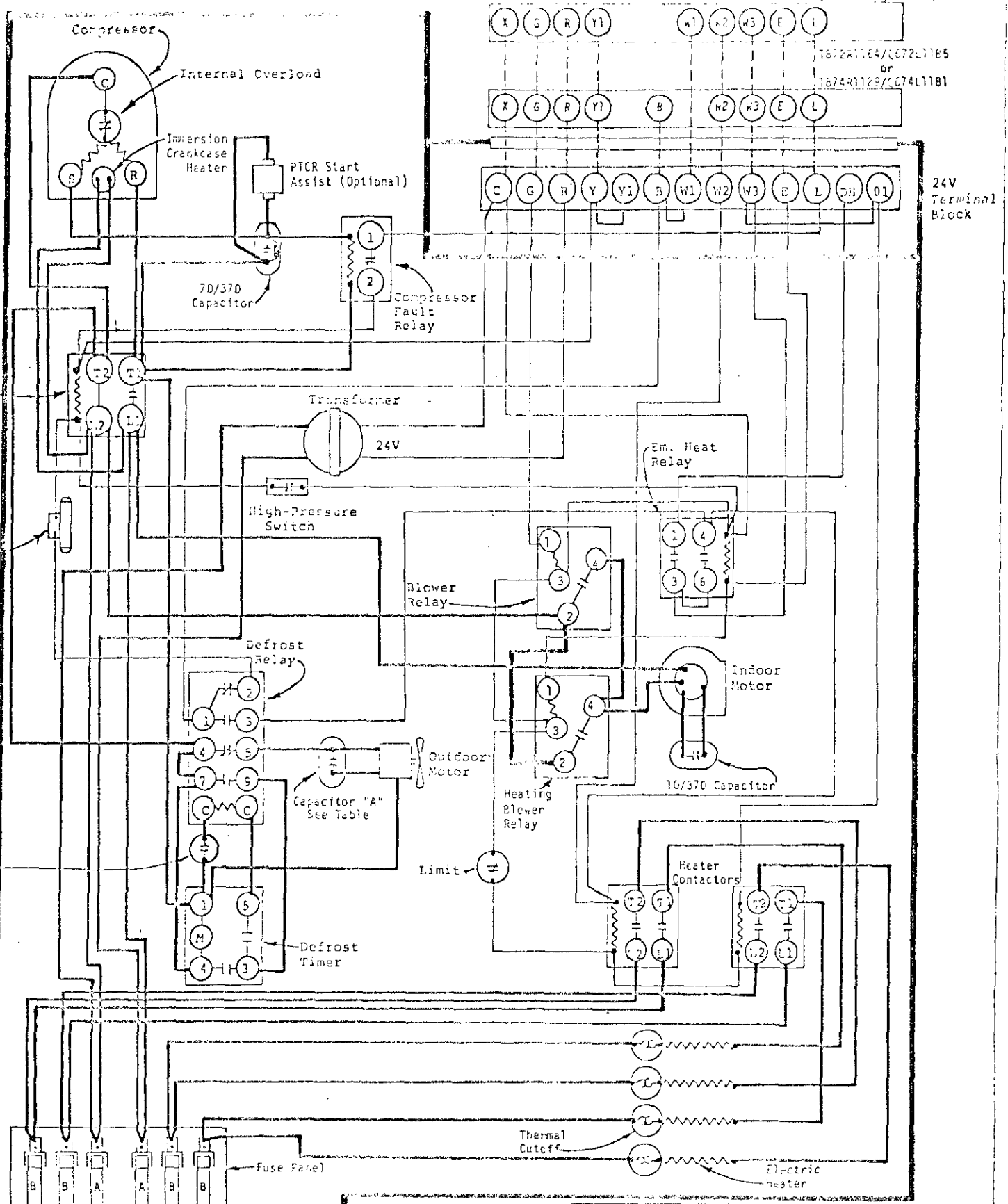
USE COPPER OR ALUMINUM WIRE

Factory Wiring \_\_\_\_\_  
 Field Wiring - - - - -

- ⚠ 1 Reroute jumper from X2-W2 to X2-E.
- ⚠ 2 Set heat anticipators at .40A for W1 and .80A for W2. See Note 3.
- ⚠ 3 Remove this jumper if 3rd stage heat outdoor thermostat is used and set W2 heat anticipator to .40A. See typical installation instructions.

Single Package  
 Heat Pump  
 4 and 5 Ton  
 w/20Kw

1672R1129/1672R1185  
 or  
 1674R1129/1674R1181



USE COPPER OR ALUMINUM WIRE

240/208-60-1

Fuse A - 60A Time Delay  
 Fuse B - 60A Standard

FACTORY WIRING		FIELD WIRING	
low Voltage	_____	-----	-----
High Voltage	_____	-----	-----

MODEL	CAP. "A"
PH48-2	15/370
PH60-2	7.5/370

MODELS  
 PH48-2, PH60-2  
 HEAT PUMP  
 20 Kw

T872N1036/0672F1299

or

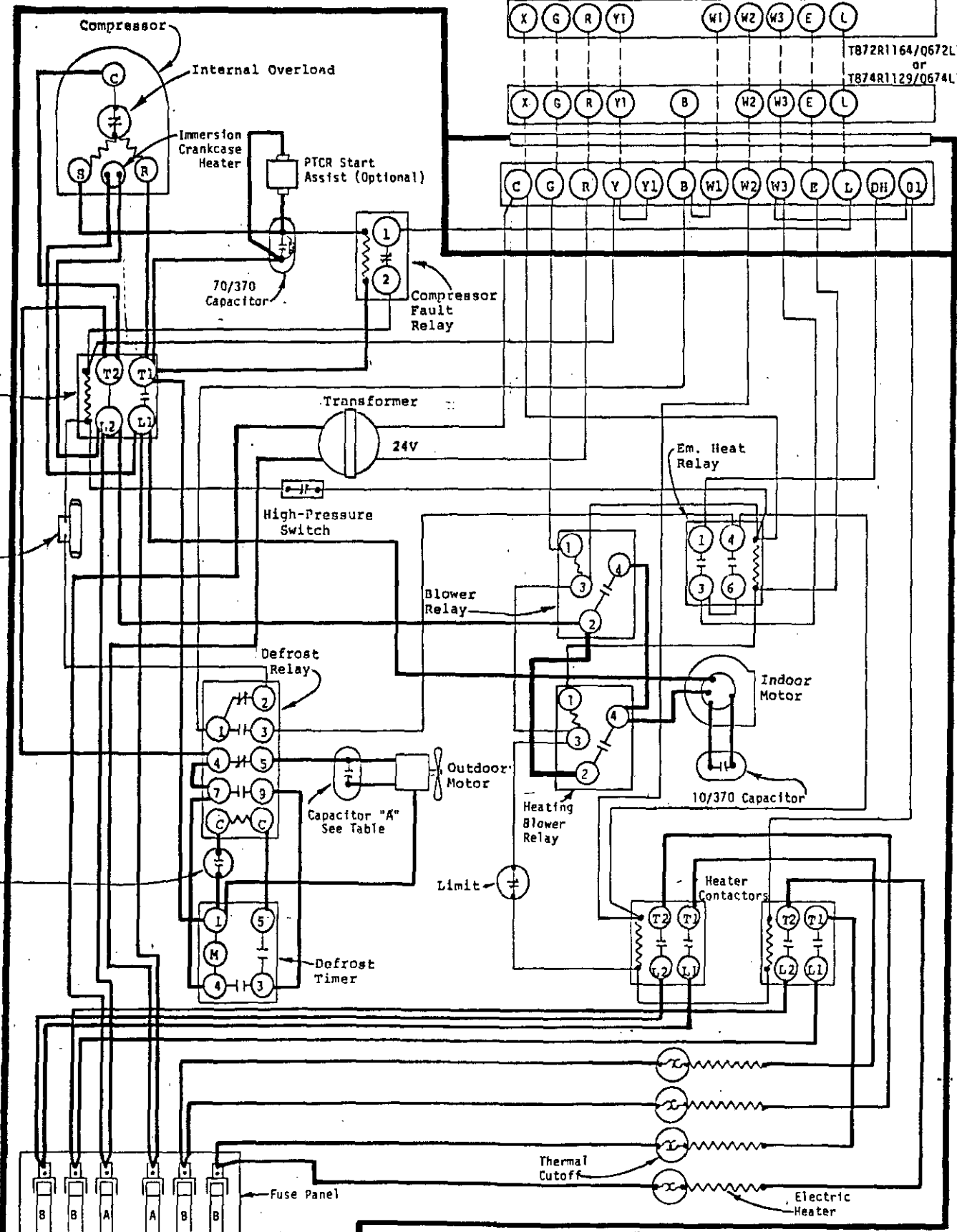
T874N1024/0674F1261

T872R1164/0672L1185

or

T874R1129/0674L1181

24V  
Terminal  
Block



USE COPPER OR ALUMINUM WIRE

230/208-60-1

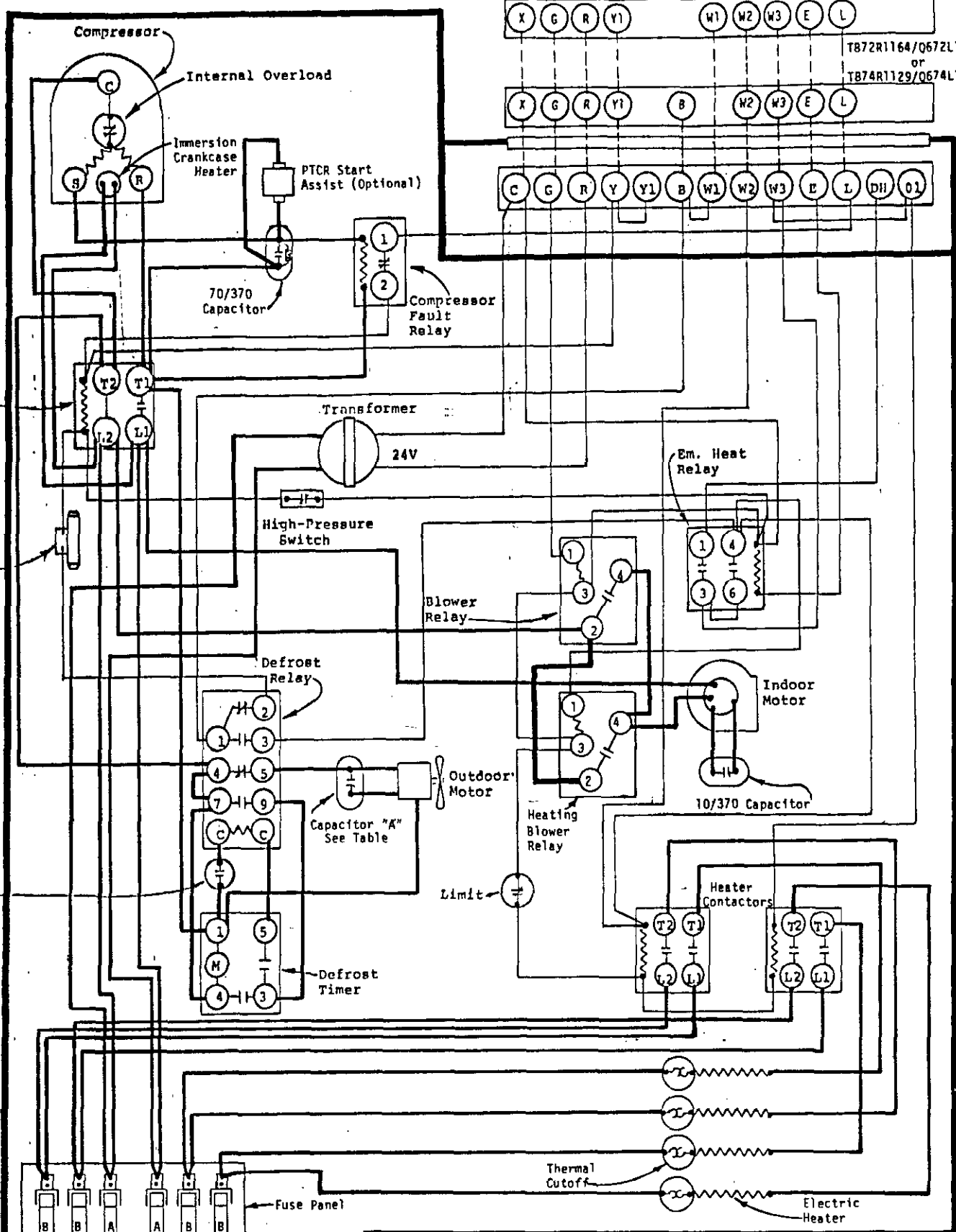
Fuse A - 60A Time Delay  
 Fuse B - 60A Standard  
 All fuses Class K-5

	FACTORY WIRING	FIELD WIRING
Low Voltage	_____	-----
High Voltage	_____	-----

MODELS  
 PH48-2, PH60-2  
 HEAT PUMP  
 20 KW

MODEL	CAP. "A"
PH48-2	15/370
PH60-2	7.5/370

24V  
Terminal  
Block



Compressor  
Contactor

Reversing  
Valve  
Solenoid  
(24V)

Defrost  
Thermostat

USE COPPER OR  
ALUMINUM WIRE

230/208-60-1

Fuse A - 60A Time Delay  
 Fuse B - 60A Standard  
 All Fuses Class K-5

	FACTORY WIRING	FIELD WIRING
Low Voltage	---	---
High Voltage	---	---

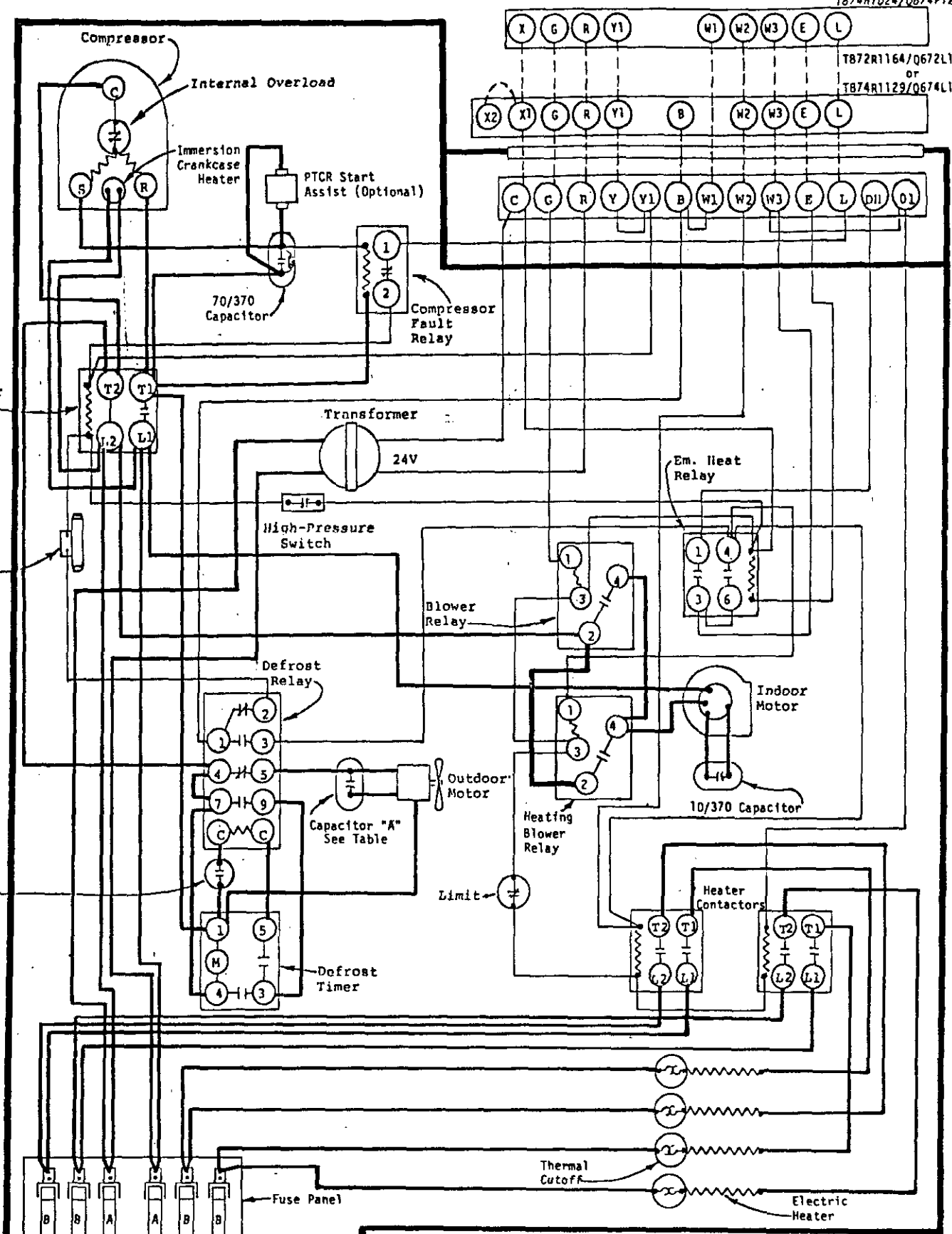
MODELS  
 PH48-2, PH60-2  
 HEAT PUMP  
 20 Kw

MODEL	CAP. "A"
PH48-2	15/370
PH60-2	7.5/370

T872N1036/0672F1299  
 or  
 T874N1024/0674F1261

T872R1164/0672L1185  
 or  
 T874R1129/0674L1181

24V  
 Terminal  
 Block



Compressor  
 Contactor

Reversing  
 Valve  
 Solenoid  
 (24V)

Defrost  
 Thermostat

Fuse A - 60A Time Delay  
 Fuse B - 60A Standard  
 All Fuses Class K-5

	FACTORY WIRING	FIELD WIRING
Low Voltage	—	- - -
High Voltage	—	- - -

MODELS  
 PH48-2, PH60-2  
 HEAT PUMP  
 20 Kw

MODEL	CAP. "A"
PH48-2	15/370
PH60-2	7.5/370

USE COPPER OR  
 ALUMINUM WIRE

230/208-60-1

1000 3500

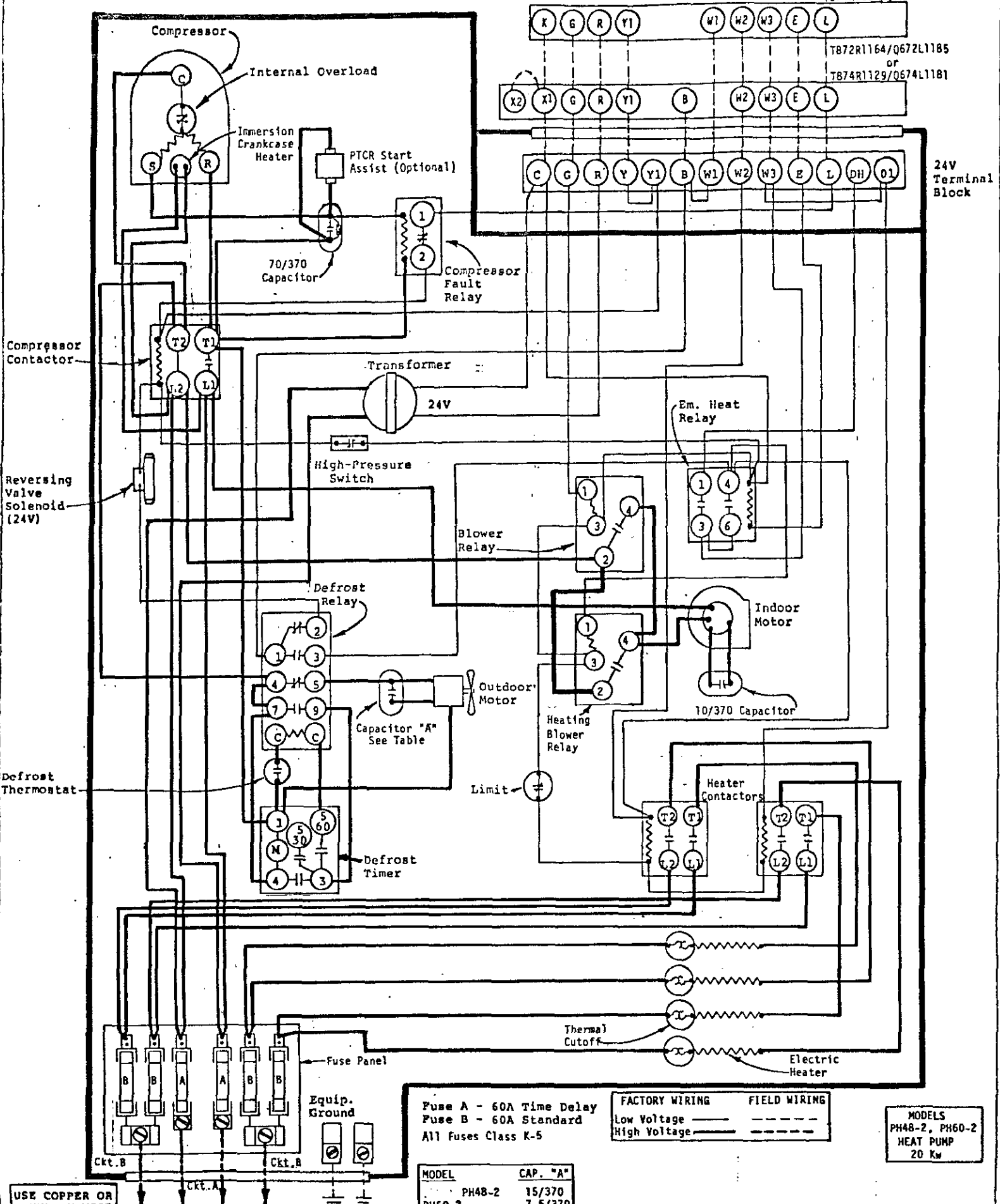
T872N1036/Q672F1299

or  
T874N1024/Q674F1261

T872R1164/Q672L1185

or  
T874R1129/Q674L1181

24V  
Terminal  
Block



USE COPPER OR ALUMINUM WIRE

230/208-60-1

Fuse A - 60A Time Delay  
 Fuse B - 60A Standard  
 All Fuses Class K-5

MODEL	CAP. "A"
PH48-2	15/370
PH60-2	7.5/370

FACTORY WIRING	FIELD WIRING
Low Voltage	-----
High Voltage	-----

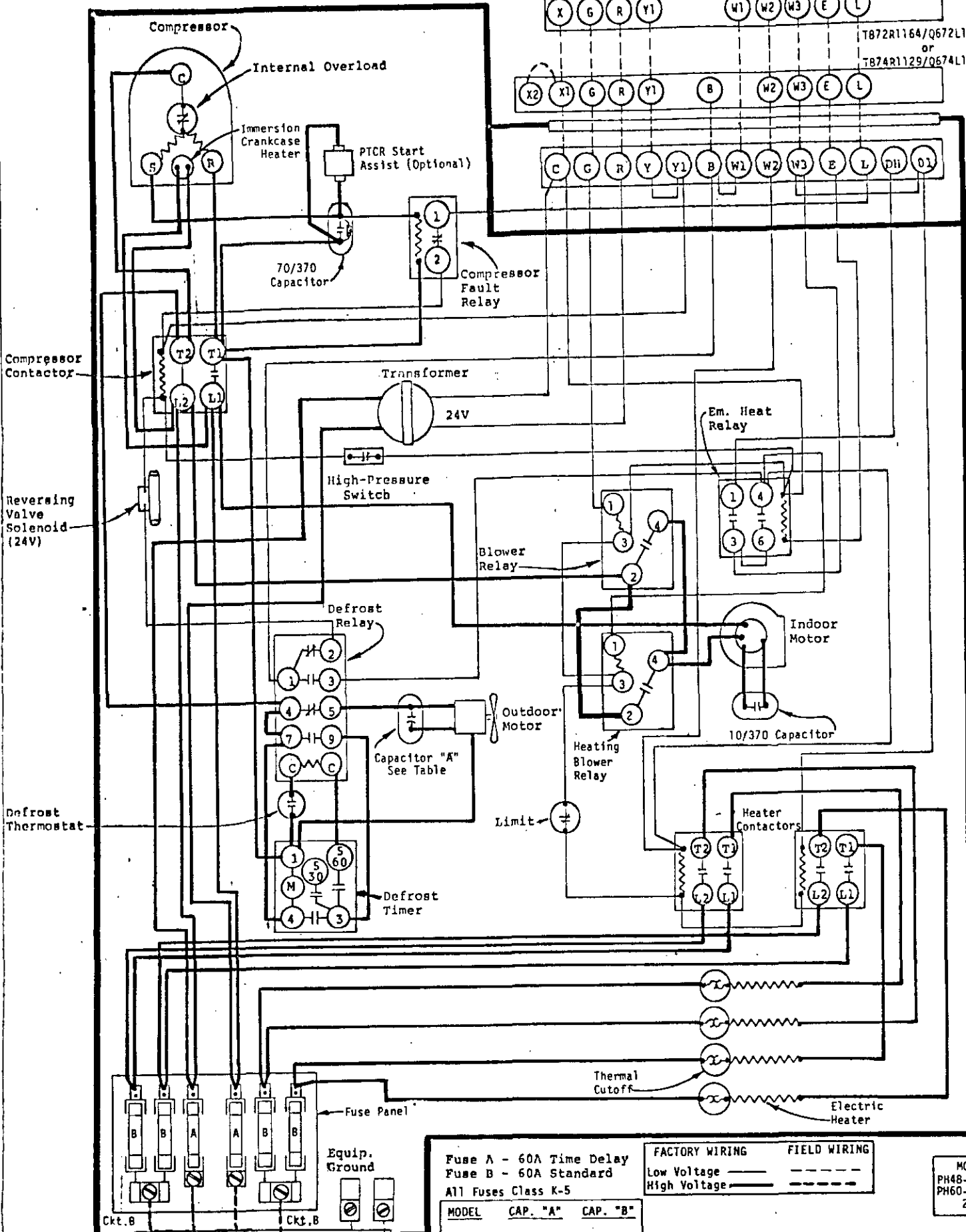
MODELS  
 PH48-2, PH60-2  
 HEAT PUMP  
 20 Kw

4006-150 I

T872N1036/Q672F1299  
 or  
 T874N1024/Q674F1261

T872R1164/Q672L1185  
 or  
 T874R1129/Q674L1181

24V  
 Terminal  
 Block



Fuse A - 60A Time Delay  
 Fuse B - 60A Standard  
 All Fuses Class K-5

	FACTORY WIRING	FIELD WIRING
Low Voltage	_____	-----
High Voltage	_____	-----

MODELS  
 PH48-2, PH60-2  
 PH60-4 HEAT PUMP  
 20 Kw

MODEL	CAP. "A"	CAP. "B"
PH48-2	15/370	70/370
PH60-2	7.5/370	70/370
PH60-4	7.5/370	90/370

USE COPPER OR  
 ALUMINUM WIRE

230/208-60-1

4006-150 J