

USE COPPER OR ALUMINUM WIRE

230/208-60-1

Fuse A - 60A Time Delay
 Fuse B - 60A Standard
 Fuse C - 30A Standard
 All Fuses Class K-5

FACTORY WIRING	FIELD WIRING
Low Voltage ———	Low Voltage - - - - -
High Voltage - - - - -	High Voltage ———

MODELS
 PH60-4
 HEAT PUMP
 15 Kw

T872N1036/Q672F1299

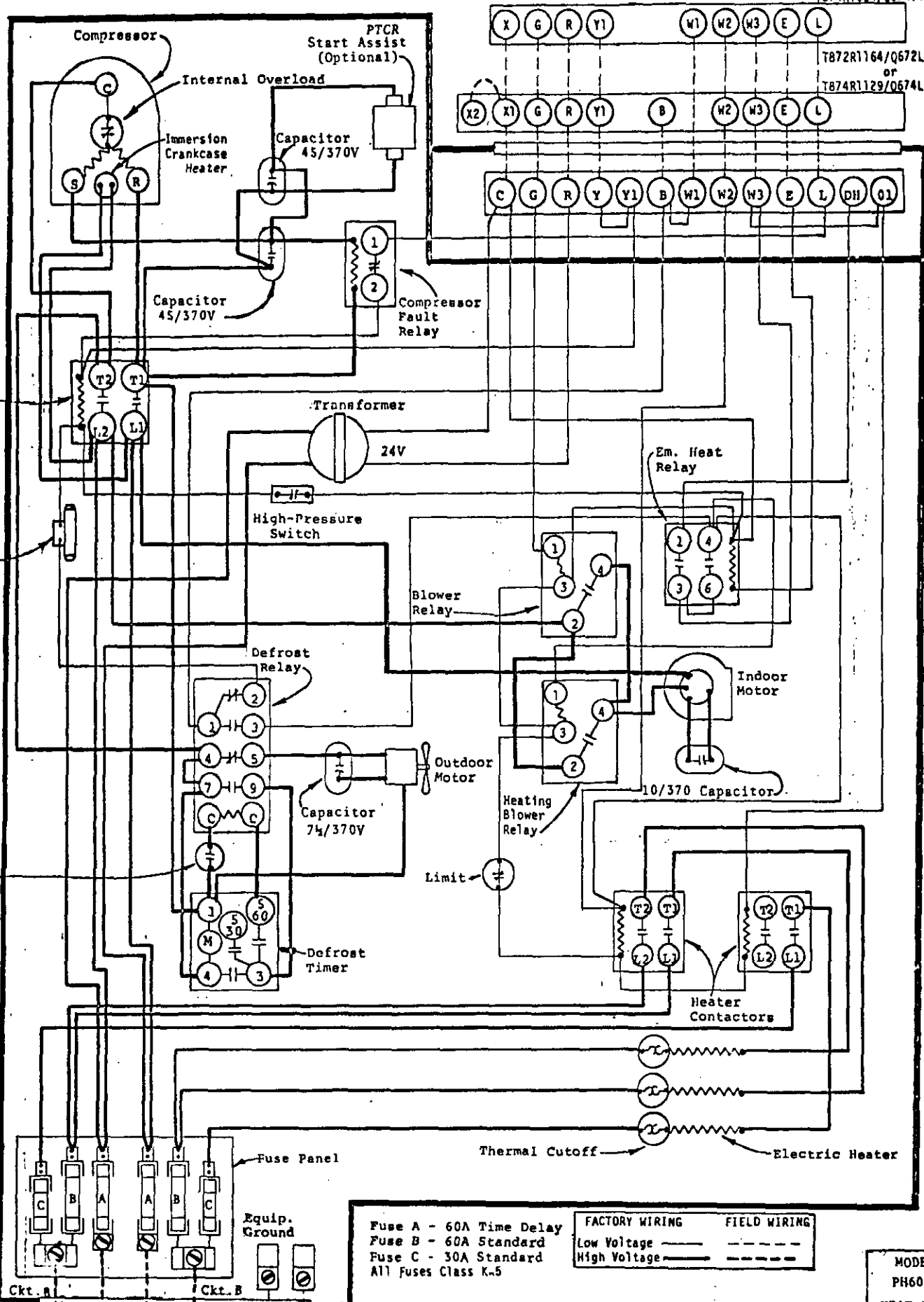
or

T874N1024/Q674F1261

T872R1164/Q672L1185

or

T874R1129/Q674L1181



24V Terminal Block

Compressor Contactor

Reversing Valve Solenoid (24V)

Defrost Thermostat

Fuse Panel

USE COPPER OR ALUMINUM WIRE

230/208-60-1

Fuse A - 60A Time Delay
 Fuse B - 60A Standard
 Fuse C - 30A Standard
 All Fuses Class K-5

FACTORY WIRING	FIELD WIRING
Low Voltage	-----
High Voltage	-----

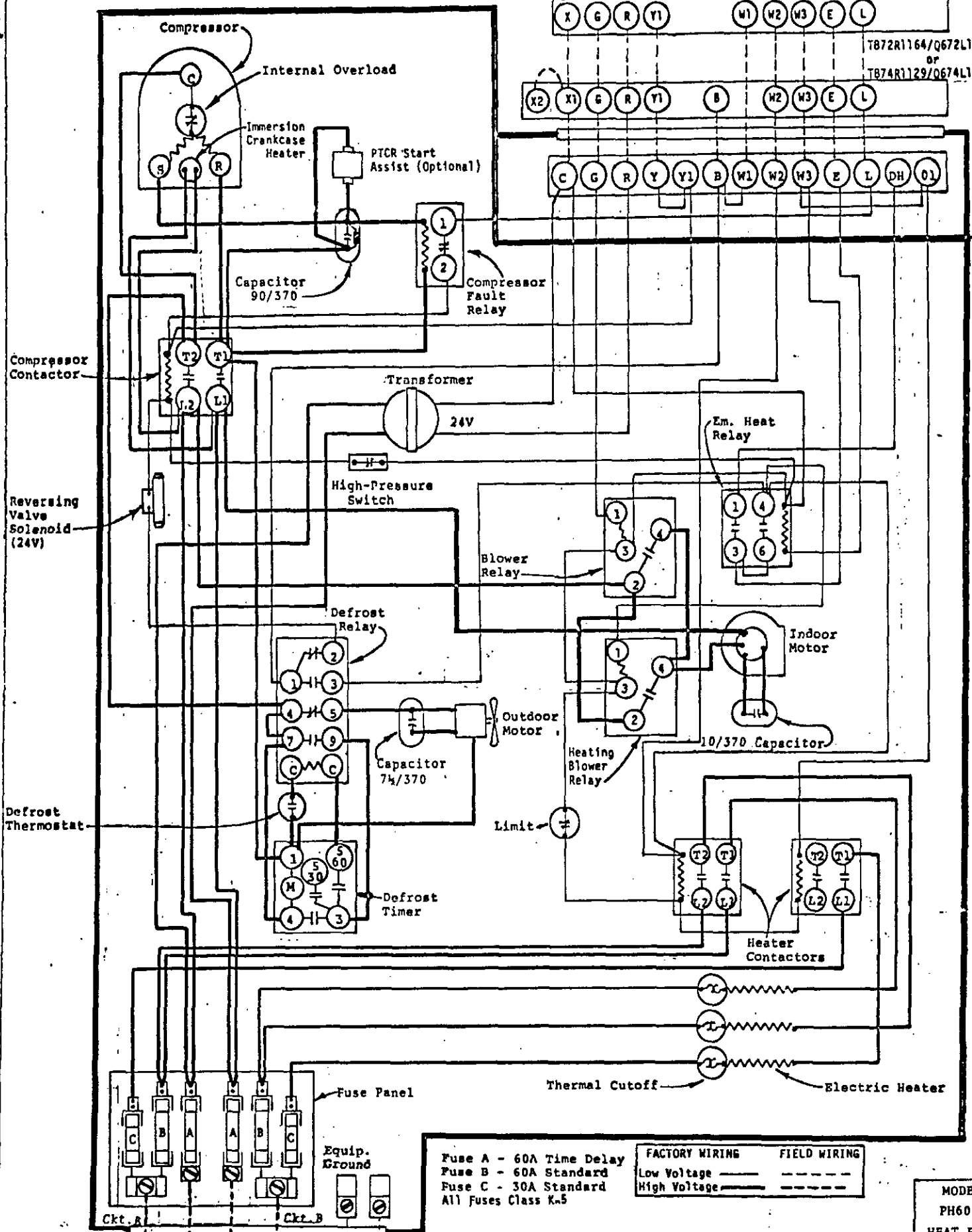
MODELS
 PH60-4
 HEAT PUMP
 15 Kw

4006141A

T872N1036/Q672F1299
or
T874N1024/Q674F1261

T872R1164/Q672L1185
or
T874R1129/Q674L1181'

24V
Terminal
Block



USE COPPER OR ALUMINUM WIRE

230/208-60-1

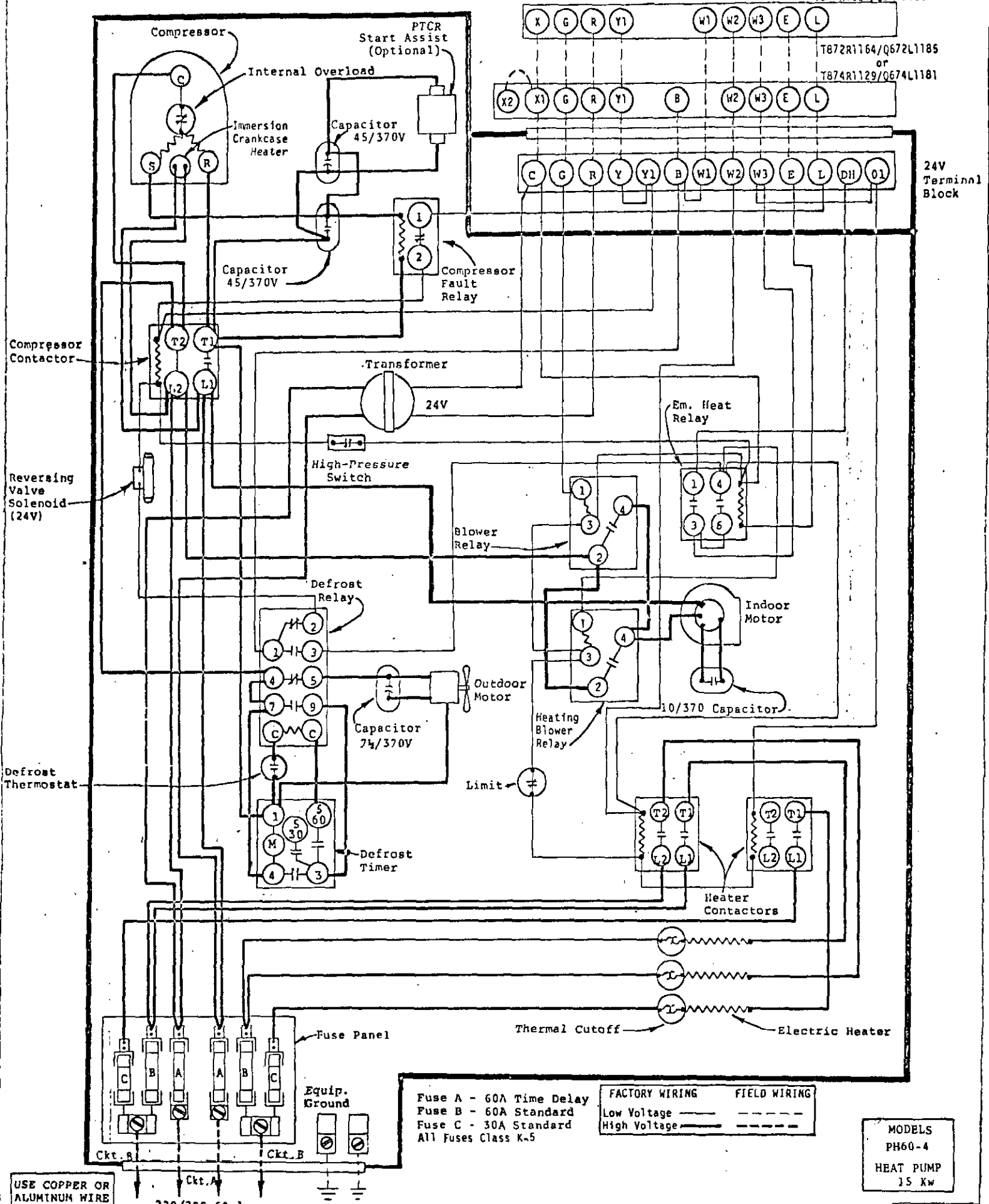
Fuse A - 60A Time Delay
Fuse B - 60A Standard
Fuse C - 30A Standard
All Fuses Class K-5

FACTORY WIRING	FIELD WIRING
Low Voltage	-----
High Voltage	-----

MODELS
PH60-4
HEAT PUMP
15 Kw

'4006-141B

T872N1036/Q672F1299
 or
 T874N1024/Q674F1267
 T872R1164/Q672L1185
 or
 T874R1129/Q674L1181



24V
Terminal
Block

Compressor
Contactor

Reversing
Valve
Solenoid
(24V)

Defrost
Thermostat

Fuse Panel

USE COPPER OR
ALUMINUM WIRE

230/208-60-1

Fuse A - 60A Time Delay
 Fuse B - 60A Standard
 Fuse C - 30A Standard
 All Fuses Class K-5

FACTORY WIRING	FIELD WIRING
Low Voltage	-----
High Voltage	-----

MODELS
PH60-4
HEAT PUMP
15 Kw

4006141C