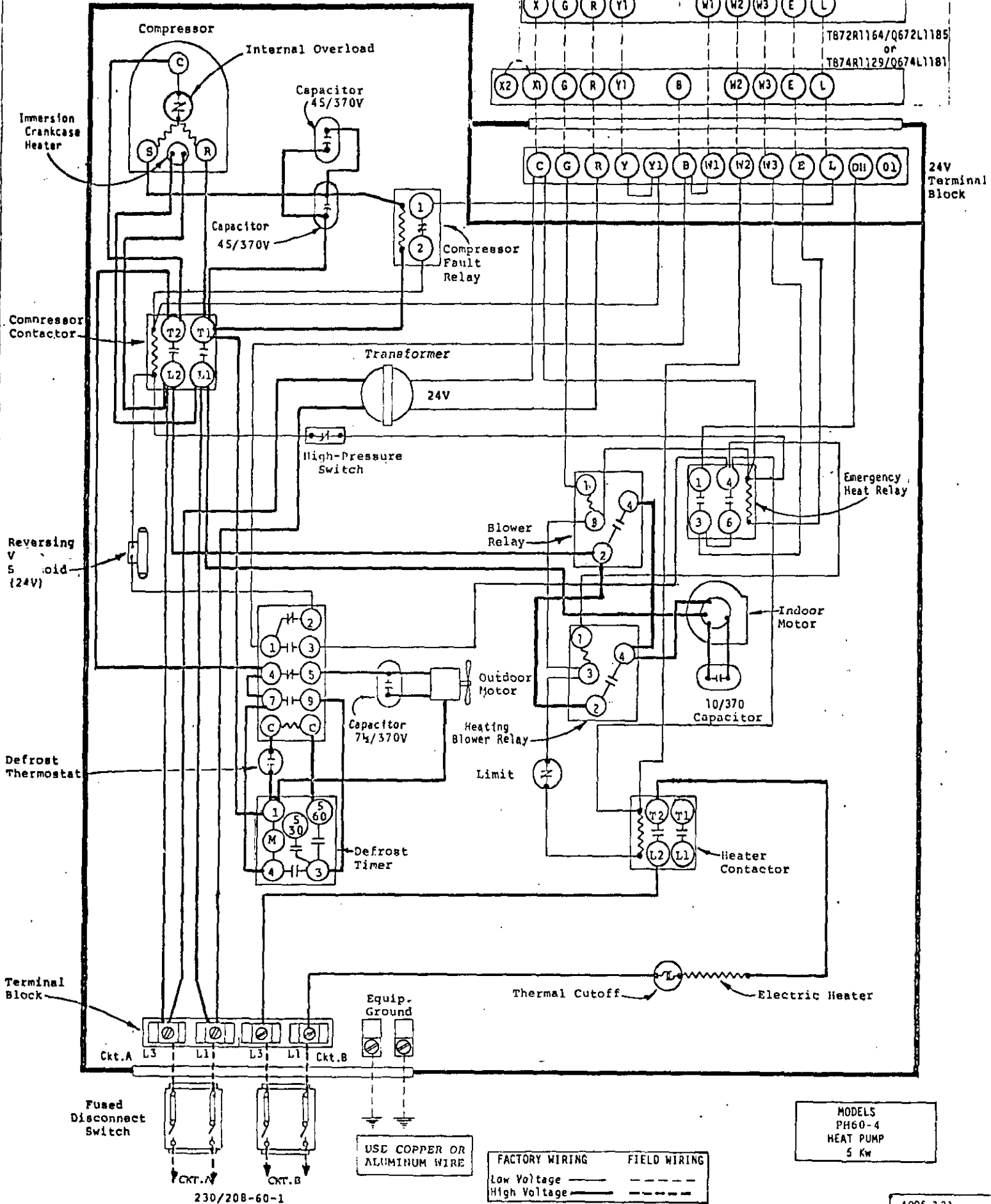


TB72H1036/Q672F1299  
or  
TB74H1024/Q674F1261

TB72R1164/Q672L1185  
or  
TB74R1129/Q674L1181

24V  
Terminal  
Block



Fused  
Disconnect  
Switch

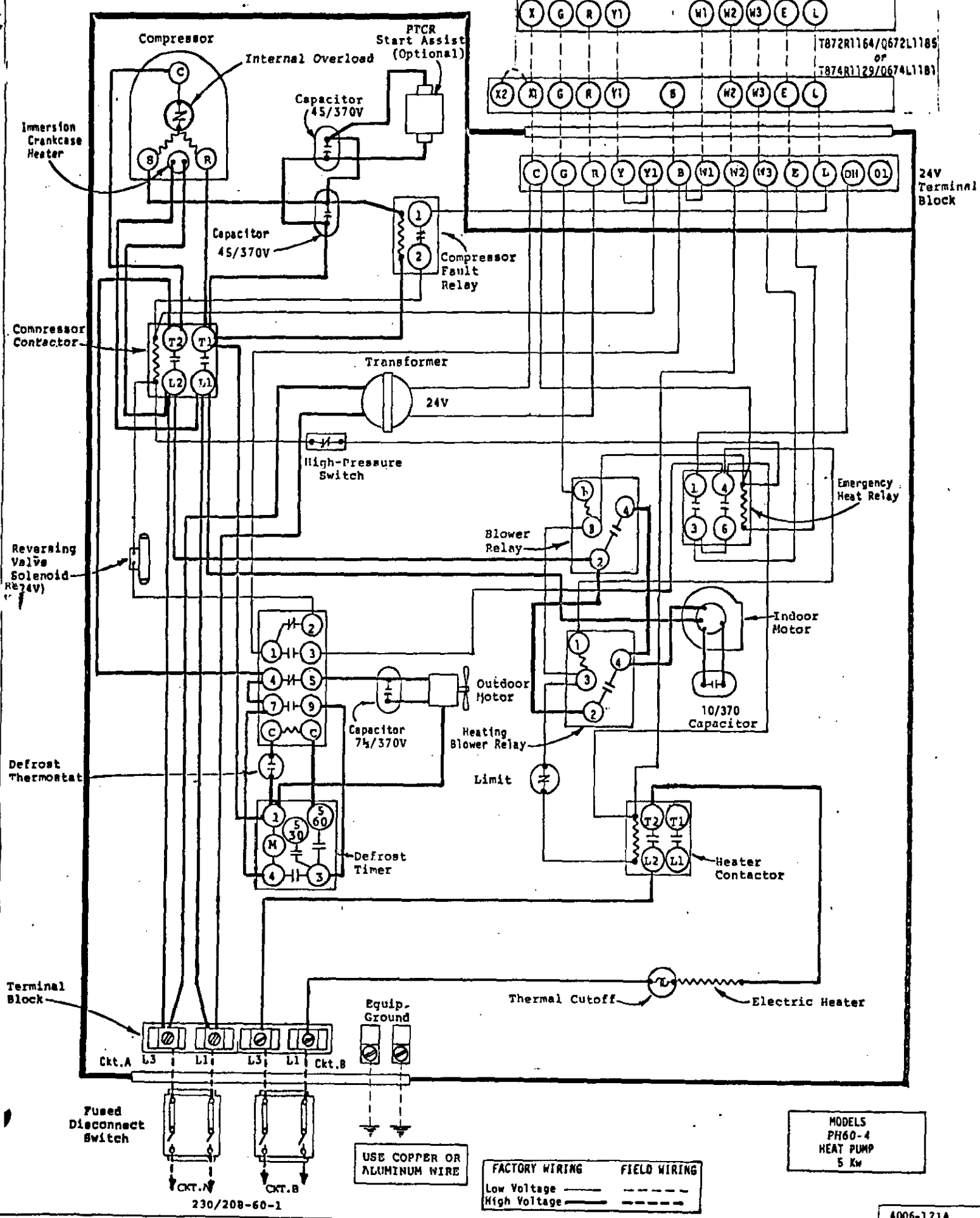
USE COPPER OR  
ALUMINUM WIRE

FACTORY WIRING		FIELD WIRING	
Low Voltage	—————	-----	-----
High Voltage	—————	-----	-----

MODELS  
PH60-4  
HEAT PUMP  
5 Kw

T872H1036/Q672F1299  
or  
T874N1024/Q674F1261

T872R1164/Q672L1185  
or  
T874R1129/Q674L1181



24V Terminal Block

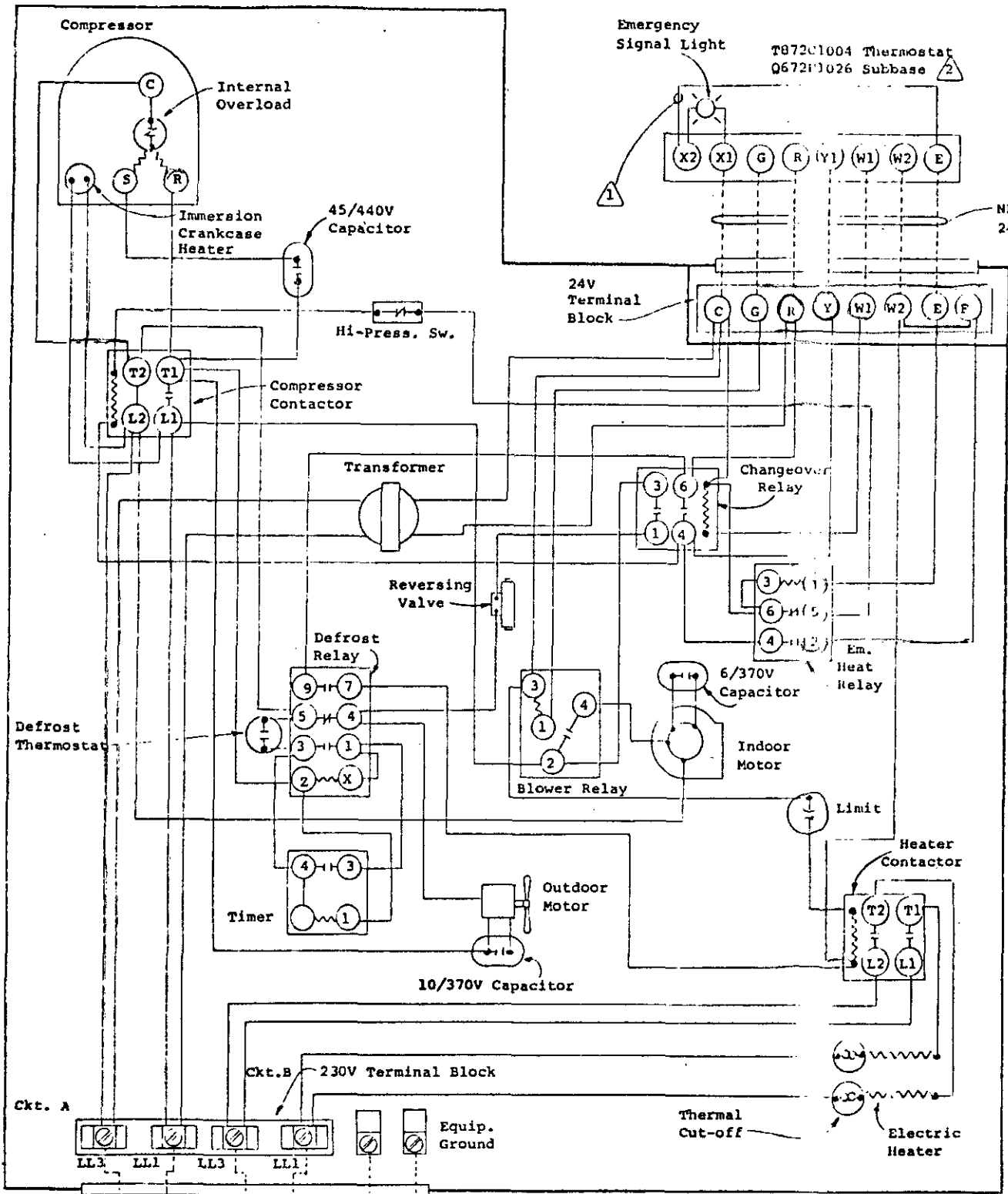
MODELS  
PH60-4  
HEAT PUMP  
5 Kw

USE COPPER OR ALUMINUM WIRE

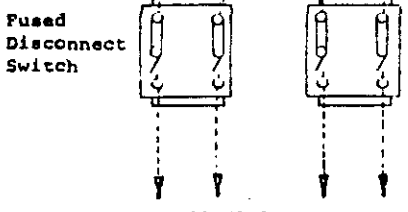
	FACTORY WIRING	FIELD WIRING
Low Voltage	—————	- - - - -
High Voltage	—————	—————

230/208-60-1

4006-121A



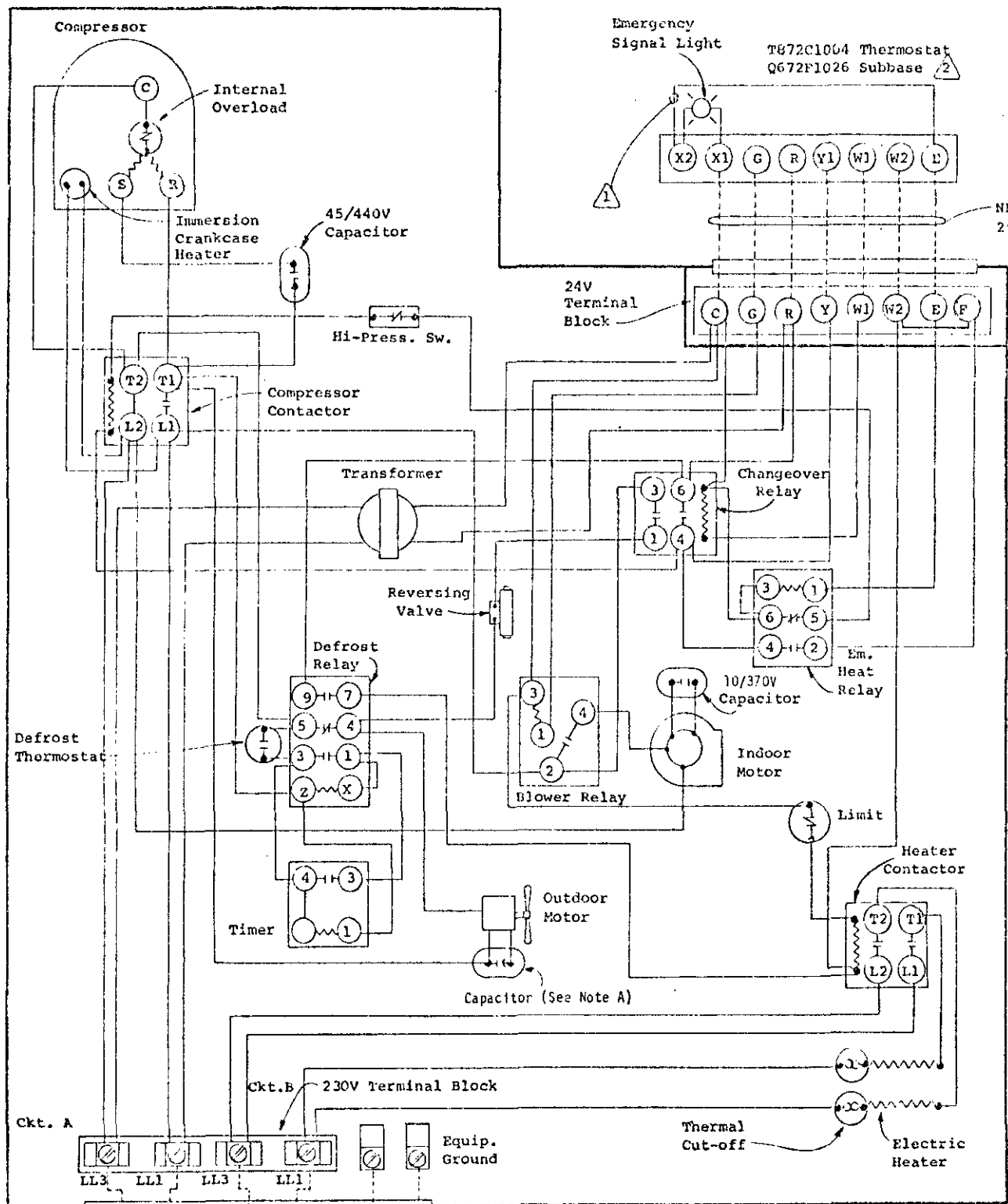
- ① Reroute jumper from X2-W2 to X2-L.
- ② Set heat anticipators at .40A for W1 and W2.



USE COPPER OR ALUMINUM WIRE

Factory Wiring ———  
Field Wiring - - - - -

Single Package Heat Pump  
4 and 5 Ton  
w/10kw



- ① Reroute jumper from X2-W2 to X2-E.
- ② Set heat anticipators at .40A for W1 and W2.

NOTE A: 4 Ton Capacitor - 15/370V  
 5 Ton Capacitor - 7½/370V

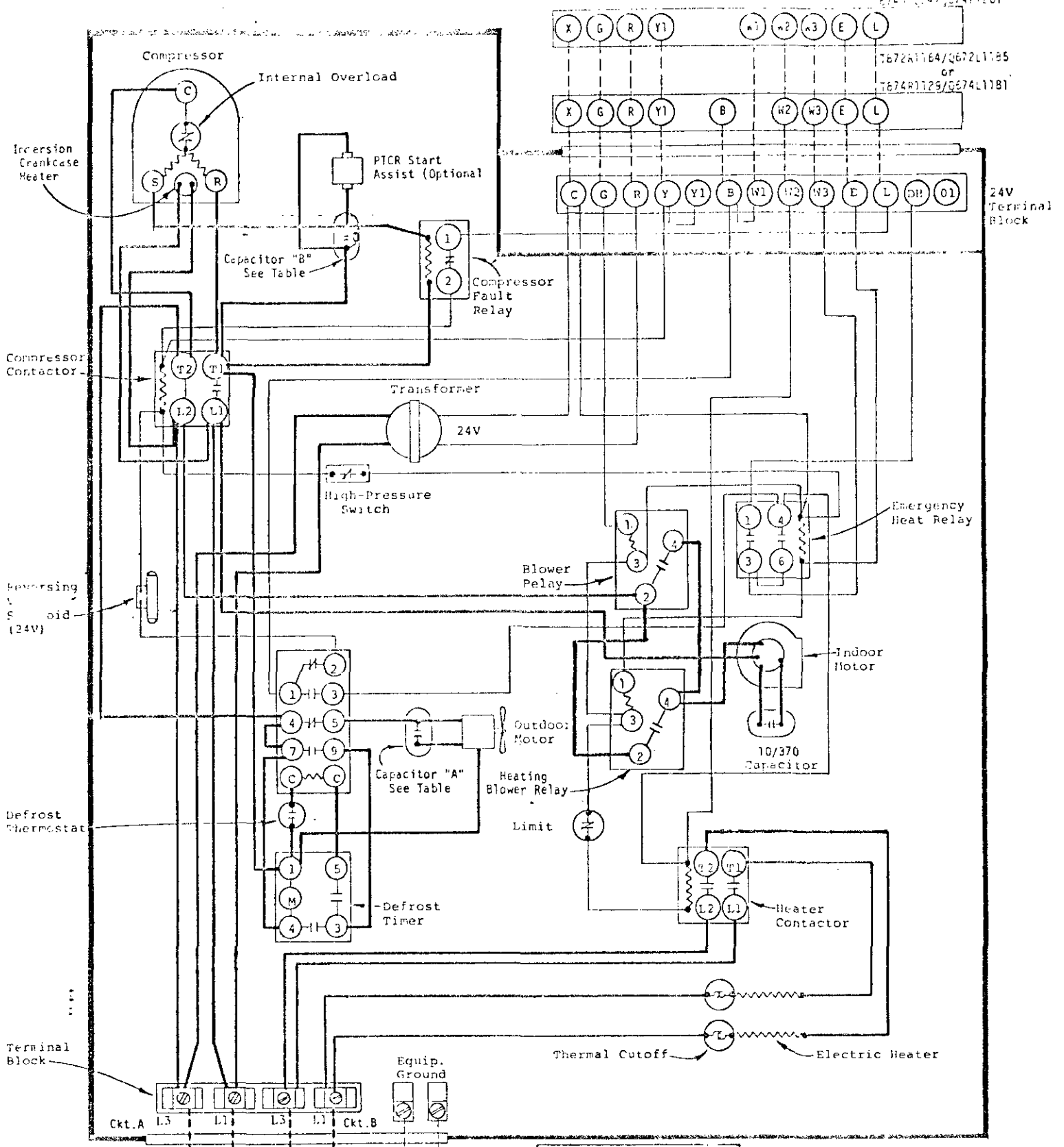
Single Package Heat Pump  
 4 and 5 Ton w/10Kw

USE COPPER OR ALUMINUM WIRE

Factory Wiring ———  
 Field Wiring - - - - -

Fused Disconnect Switch

7874A1129/0674L1189  
 OR  
 7874A1124/0674L1261



24V Terminal Block

Terminal Block

Fused Disconnect Switch

USE COPPER OR ALUMINUM WIRE

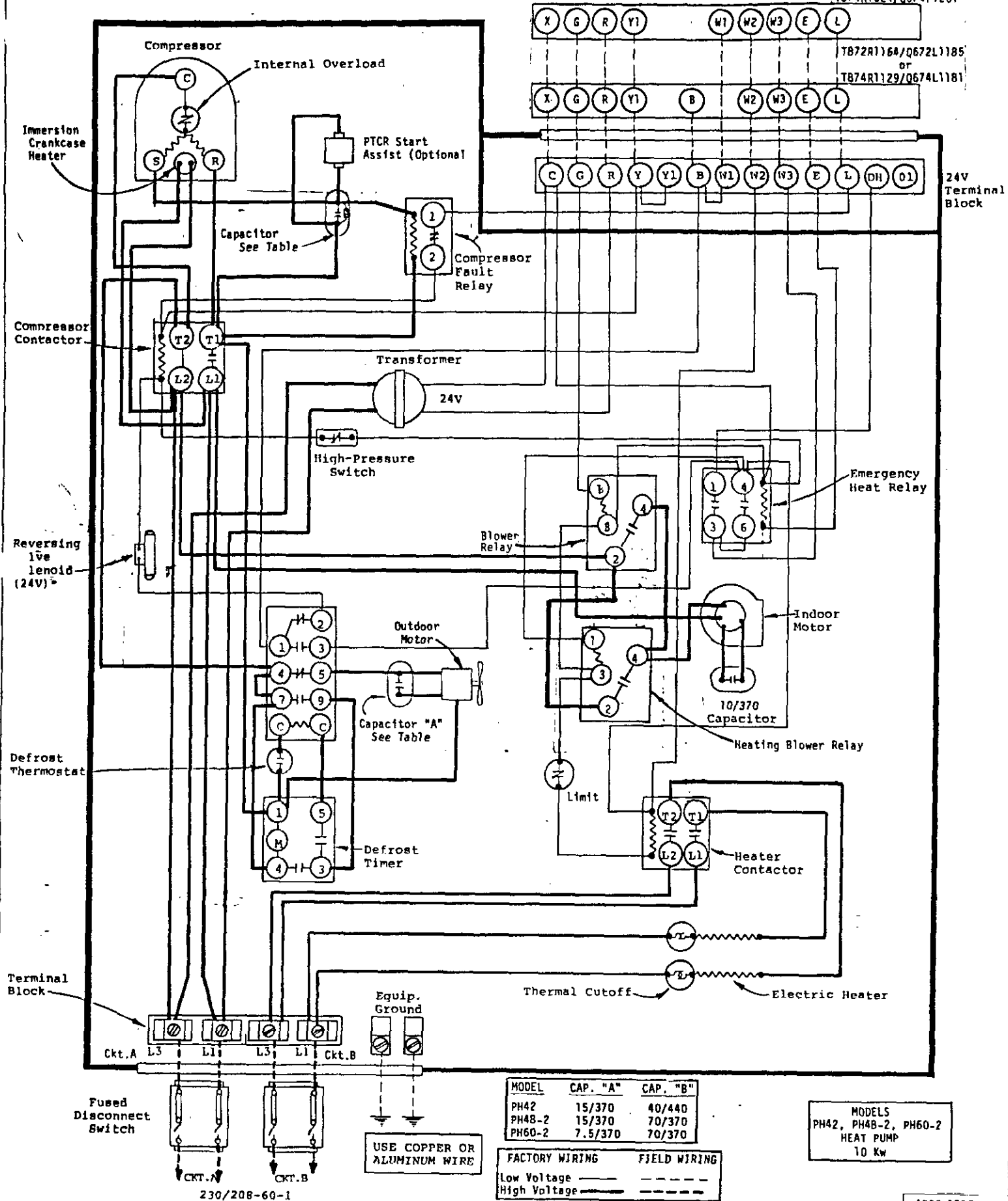
MODEL	CAP. "A"	CAP. "B"
PH42	15/370	40/440
PH48-2	15/370	70/370
PH60-2	7.5/370	70/370

MODELS  
 PH42, PH48-2, PH60-2  
 HEAT PUMP  
 10 Kw

FACTORY WIRING      FIELD WIRING  
 Low Voltage      High Voltage

T872N1036/Q672F1299  
 or  
 T874N1024/Q674F1261

T872R1164/Q672L1185  
 or  
 T874R1129/Q674L1181



MODEL	CAP. "A"	CAP. "B"
PH42	15/370	40/440
PH48-2	15/370	70/370
PH60-2	7.5/370	70/370

FACTORY WIRING	FIELD WIRING
Low Voltage ———	-----
High Voltage ———	-----

MODELS  
 PH42, PH48-2, PH60-2  
 HEAT PUMP  
 10 Kw

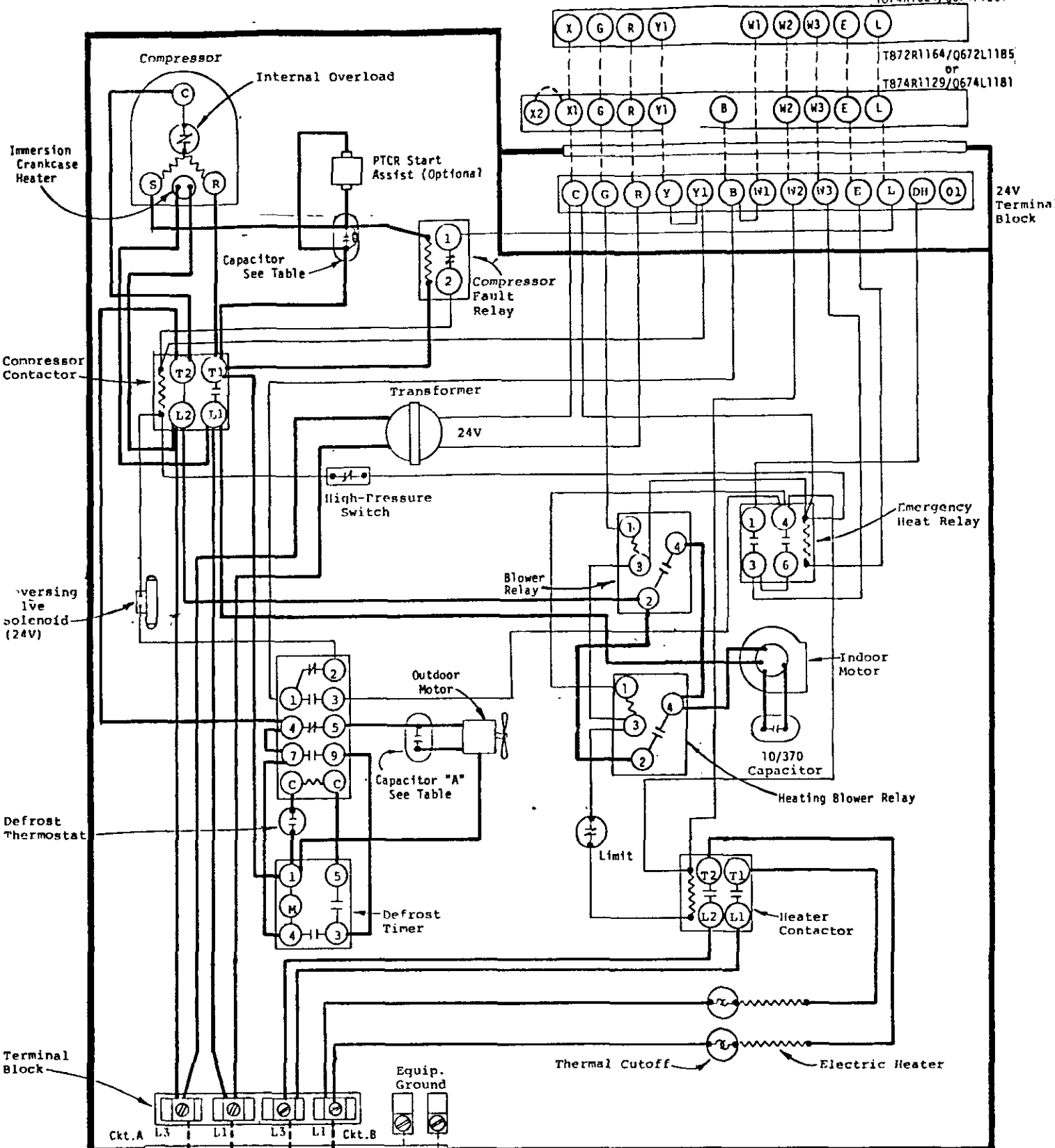
Fused Disconnect Switch

USE COPPER OR ALUMINUM WIRE

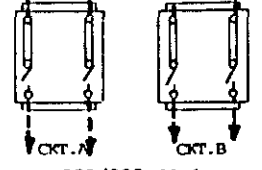
230/208-60-1

4006-1306

T872N1036/Q672F1299  
 or  
 T874N1024/Q674F1261



Fused Disconnect Switch



USE COPPER OR ALUMINUM WIRE

MODEL	CAP. "A"	CAP. "B"
PH42	15/370	40/440
PH48-2	15/370	70/370
PH60-2	7.5/370	70/370

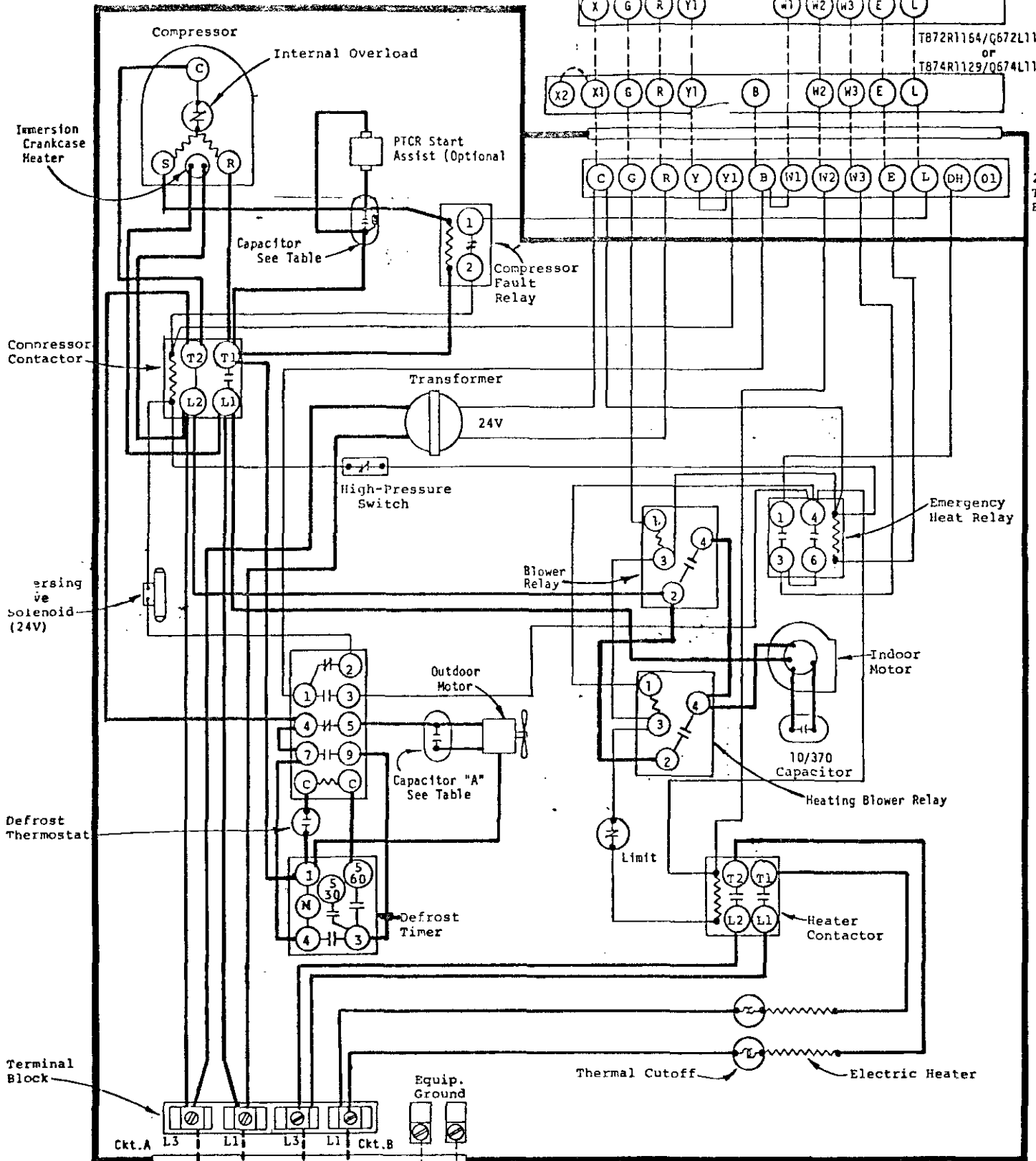
FACTORY WIRING	FIELD WIRING
Low Voltage	-----
High Voltage	-----

MODELS  
 PH42, PH48-2, PH60-2  
 HEAT PUMP  
 10 Kw

T872N1036/Q672F1299  
 OR  
 T874N1024/Q674F1261

T872R1164/Q672L1185  
 OR  
 T874R1129/Q674L1181

24V  
 Terminal  
 Block



Fused  
 Disconnect  
 Switch

230/208-60-1



USE COPPER OR  
 ALUMINUM WIRE

MODEL	CAP. "A"	CAP. "B"
PH42	15/370	40/440
PH48-2	15/370	70/370
PH60-2	7.5/370	70/370

FACTORY WIRING	FIELD WIRING
Low Voltage	-----
High Voltage	-----

MODELS  
 PH42, PH48-2, PH60-2  
 HEAT PUMP  
 10 Kw

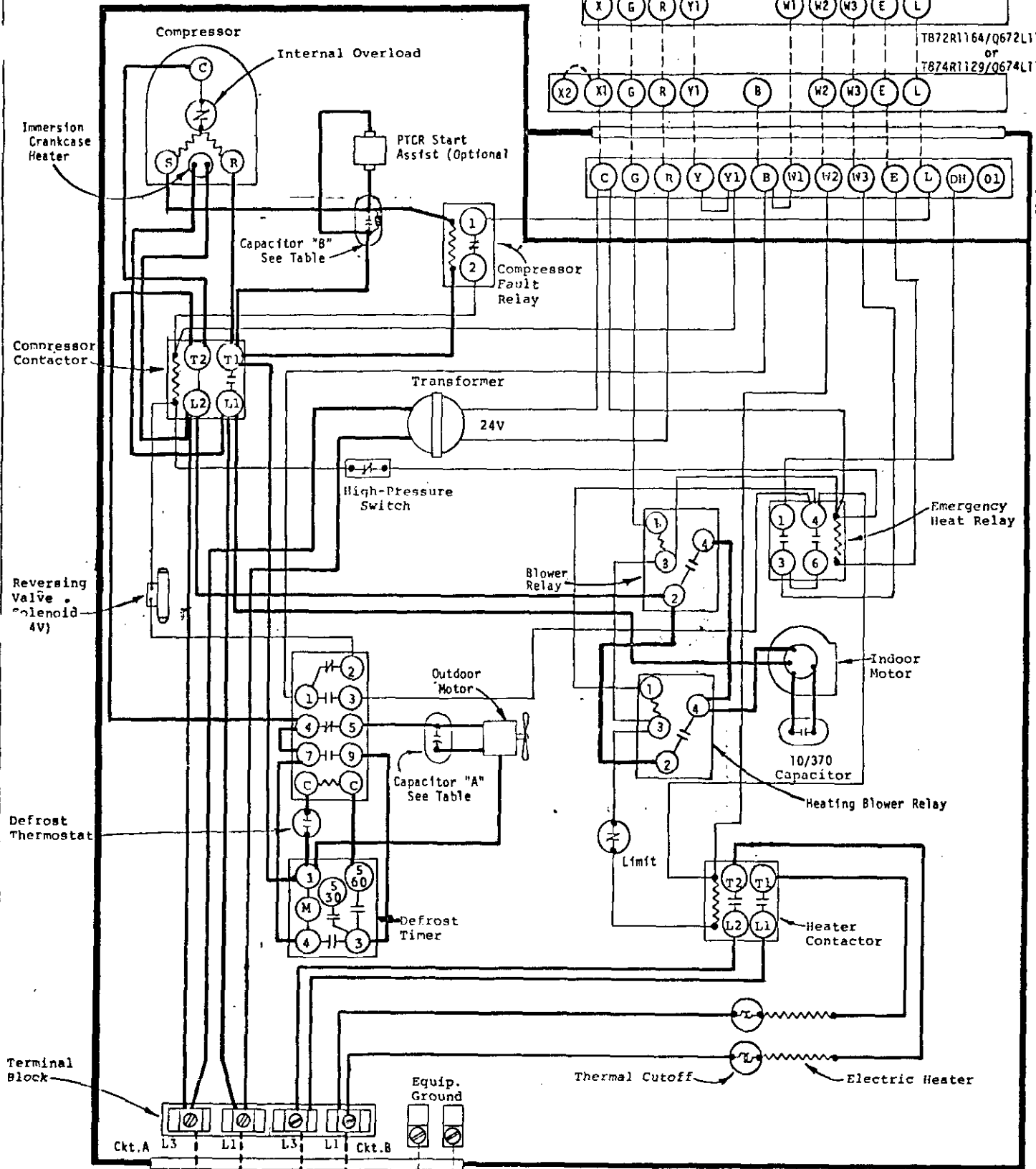
4006-130 I



T872N1036/Q672F1299  
 or  
 T874N1024/Q674F1261

T872R1164/Q672L1185  
 or  
 T874R1129/Q674L1187

24V  
 Terminal  
 Block



USE COPPER OR  
 ALUMINUM WIRE

	FACTORY WIRING	FIELD WIRING
Low Voltage	—————	- - - - -
High Voltage	—————	- - - - -

MODEL	CAP. "A"	CAP. "B"
PH42	15/370	40/440
PH48-2	15/370	70/370
PH60-2	7.5/370	70/370
PH60-4	7.5/370	90/370

MODELS  
 PH42, PH48-2, PH60-2  
 PH60-4 HEAT PUMP  
 10 KW