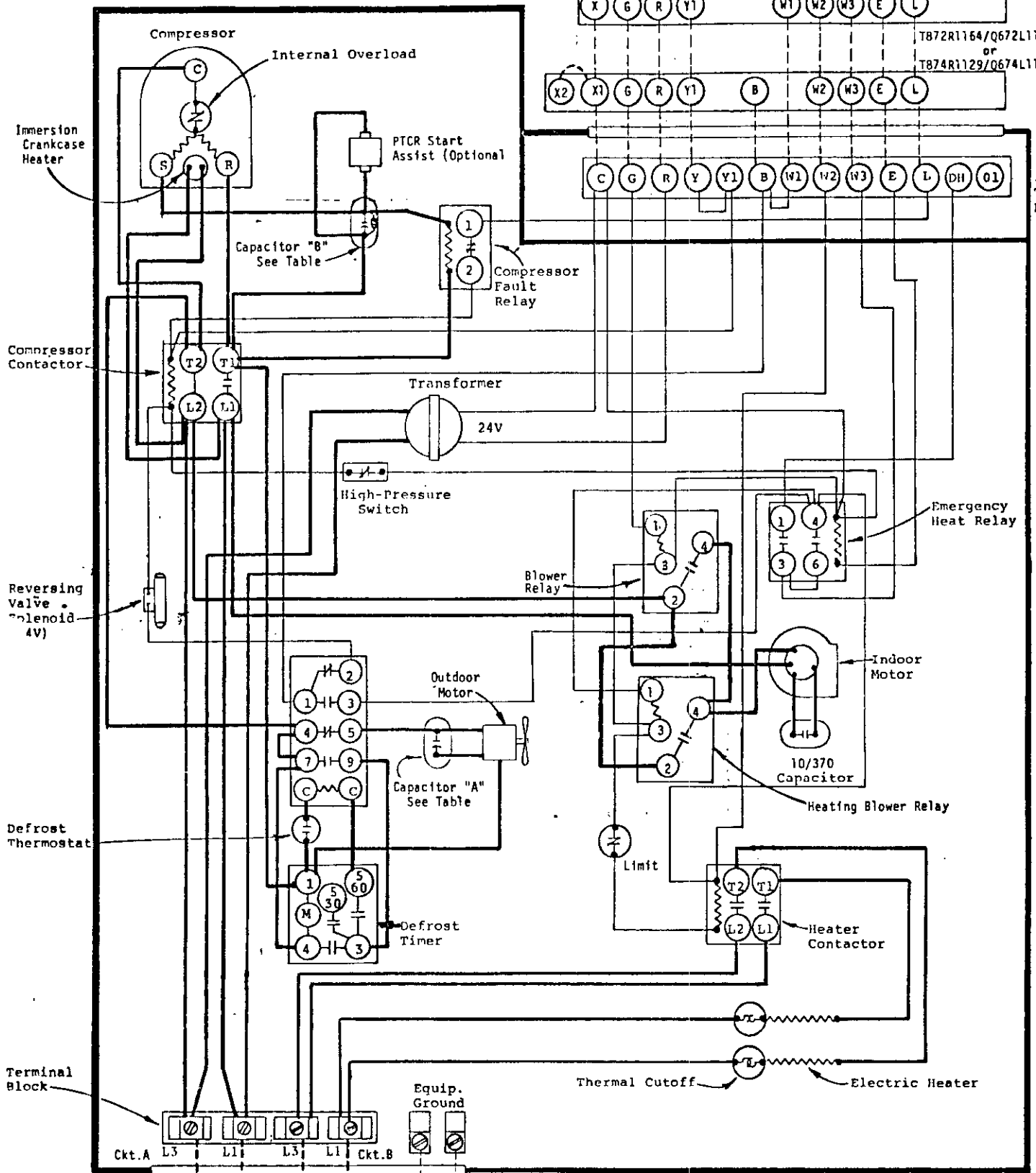


T872N1036/Q672F1299  
or  
T874N1024/Q674F1261

T872R1164/Q672L1185  
or  
T874R1129/Q674L1181

24V  
Terminal  
Block



USE COPPER OR ALUMINUM WIRE

|              | FACTORY WIRING | FIELD WIRING |
|--------------|----------------|--------------|
| Low Voltage  | —————          | - - - - -    |
| High Voltage | —————          | - - - - -    |

| MODEL  | CAP. "A" | CAP. "B" |
|--------|----------|----------|
| PH42   | 15/370   | 40/440   |
| PH48-2 | 15/370   | 70/370   |
| PH60-2 | 7.5/370  | 70/370   |
| PH60-4 | 7.5/370  | 90/370   |

MODELS  
PH42, PH48-2, PH60-2  
PH60-4 HEAT PUMP  
10 Kw

230/208-60-1

4006-130J