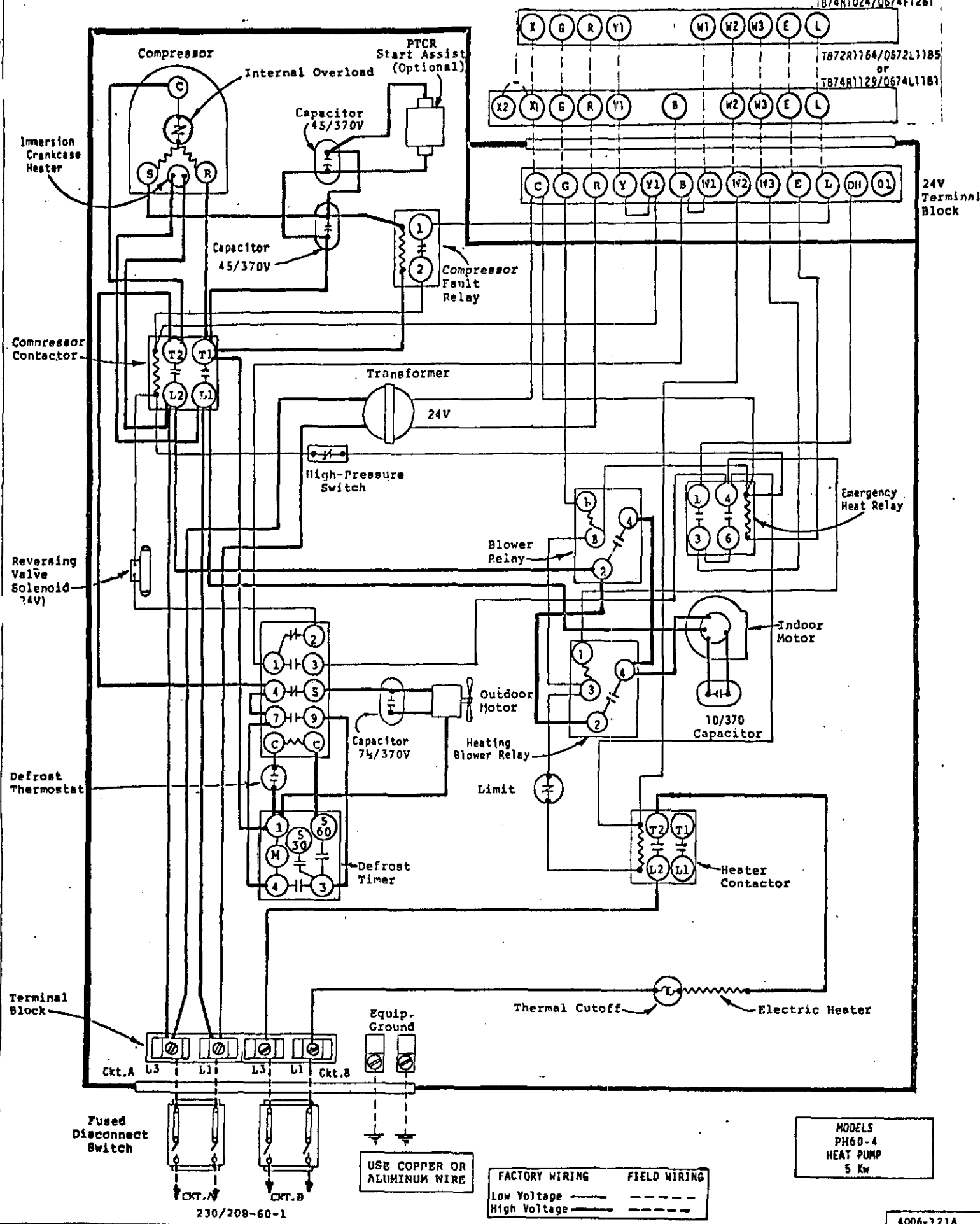


T872N1036/Q672F1299
 or
 T874N1024/Q674F1261

T872R1164/Q672L1185
 or
 T874R1129/Q674L1181



Fused Disconnect Switch

USE COPPER OR ALUMINUM WIRE

FACTORY WIRING		FIELD WIRING	
Low Voltage	—————	-----	-----
High Voltage	—————	-----	-----

MODELS
 PH60-4
 HEAT PUMP
 5 Kw