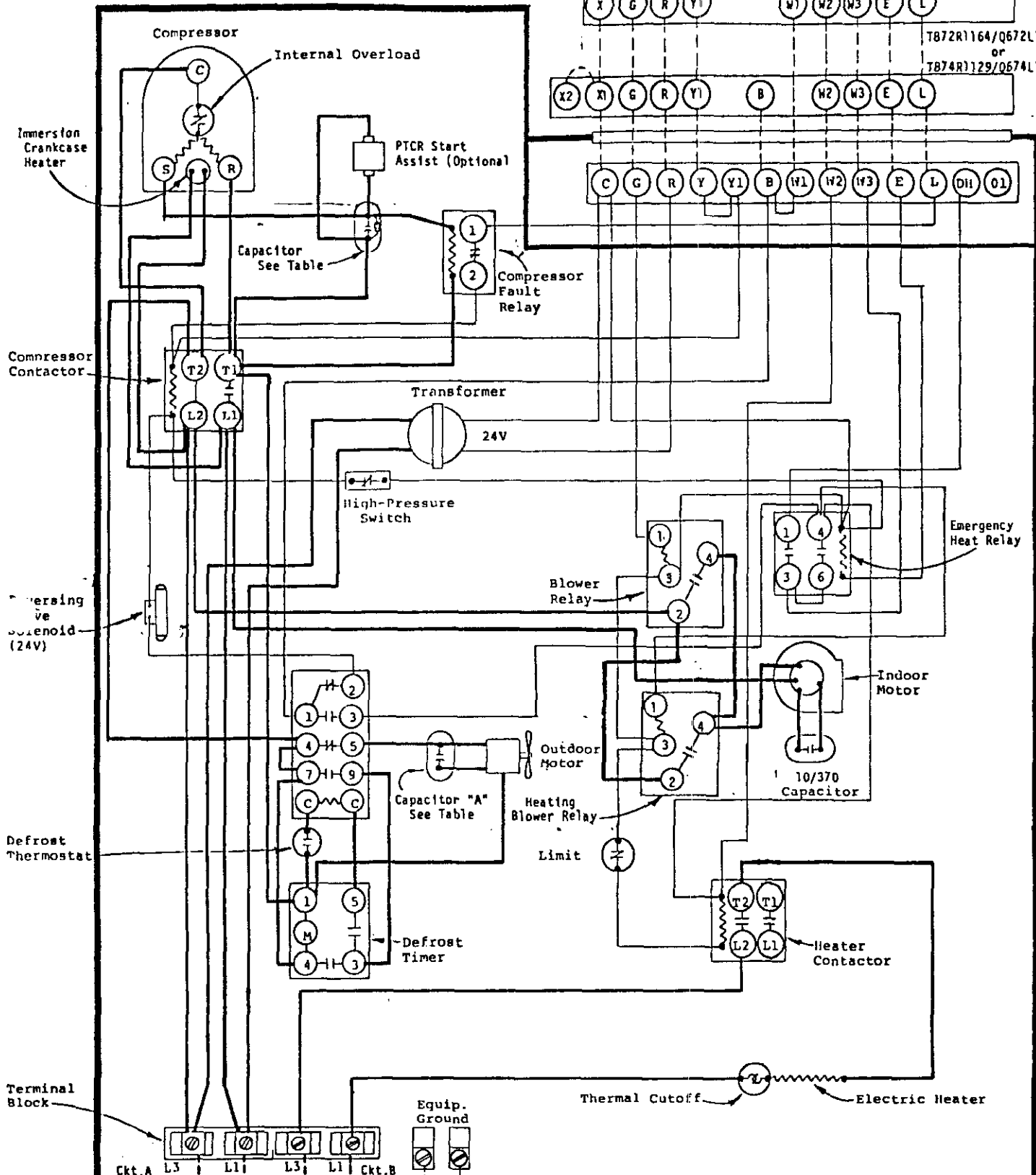


TB72N1036/Q672F1299  
or  
TB74N1024/Q674F1261

TB72R1164/Q672L1185  
or  
TB74R1129/Q674L1181

24V  
Terminal  
Block



Fused  
Disconnect  
Switch

Ckt. A L3 L1 L3 L1 Ckt. B

230/208-60-1

USE COPPER OR  
ALUMINUM WIRE

MODEL	CAP. "A"	CAP. "B"
PH42	15/370	40/440
PH48-2	15/370	70/370
PH60-2	7.5/370	70/370

FACTORY WIRING      FIELD WIRING  
Low Voltage \_\_\_\_\_  
High Voltage - - - - -

MODELS  
PH42, PH48-2, PH60-2  
HEAT PUMP  
5 Kw

4006-120H