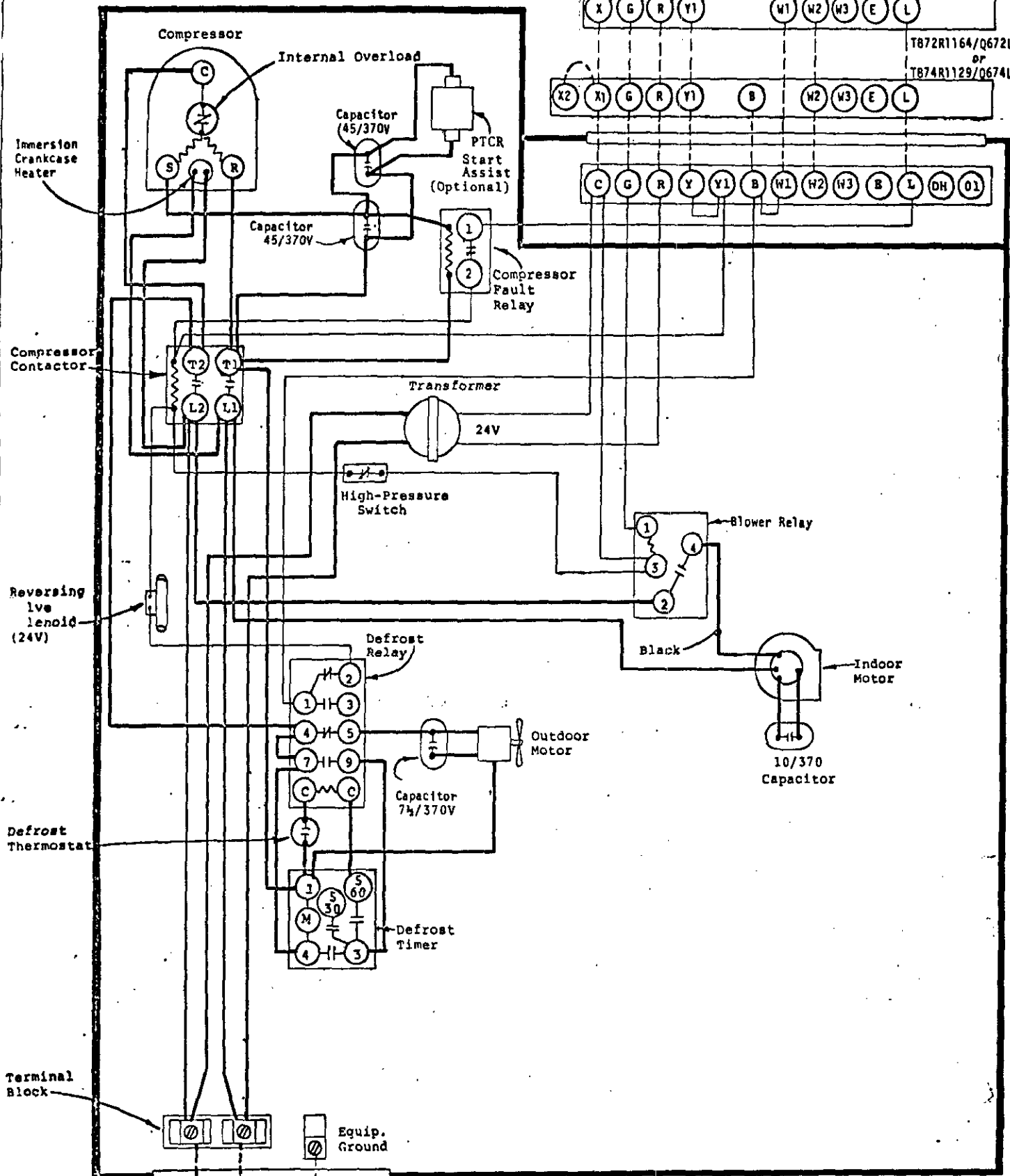


T872N1036/Q672F1299
 or
 T874N1024/Q674F1261

T872R1164/Q672L1185
 or
 T874R1129/Q674L1181

24V
 Terminal
 Block



Immersion
 Crankcase
 Heater

Compressor
 Contactor

Reversing
 lve
 lenoid
 (24V)

Defrost
 Thermostat

Terminal
 Block

Compressor

Internal Overload

Capacitor
 (45/370V)

PTCR
 Start
 Assist
 (Optional)

Capacitor
 45/370V

Compressor
 Fault
 Relay

Transformer

24V

High-Pressure
 Switch

Blower Relay

Indoor
 Motor

10/370
 Capacitor

Outdoor
 Motor

Capacitor
 7 1/2/370V

Defrost
 Relay

Defrost
 Timer

Equip.
 Ground

Fused
 Disconnect
 Switch

USE COPPER OR
 ALUMINUM WIRE

FACTORY WIRING	FIELD WIRING
Low Voltage ———	-----
High Voltage ———	-----

MODEL
 PH60-4
 HEAT PUMP
 0 KW