

- ① Reroute jumper from X2-W2 to X2-E.
- ② Set heat anticipators at .40A for W1

Fused Disconnect Switch

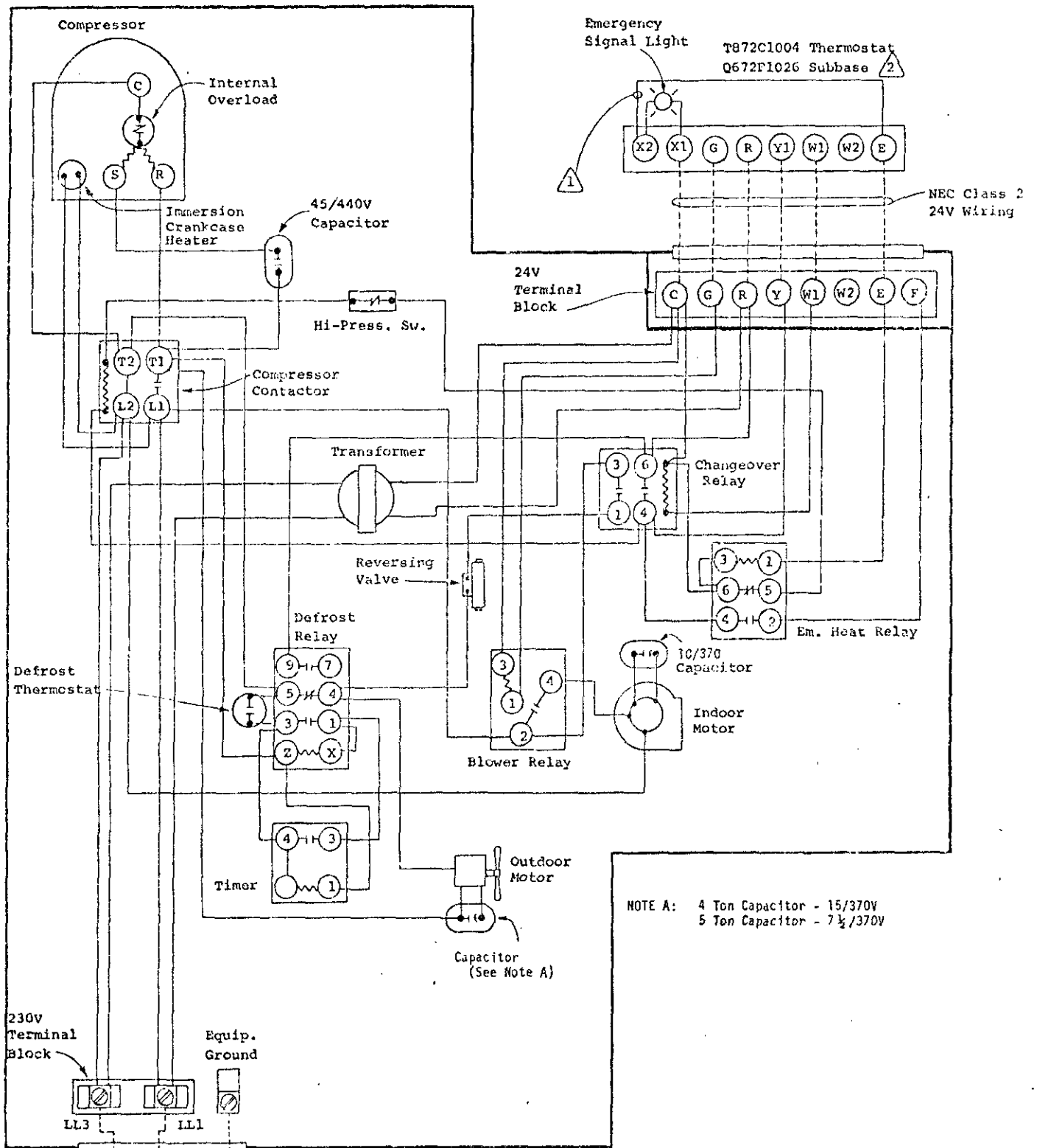
USE COPPER OR ALUMINUM WIRE

Factory Wiring _____
Field Wiring - - - - -

Single Package Heat Pump
4 and 5 Ton

230/208-60-1

4006-110 Rev. B



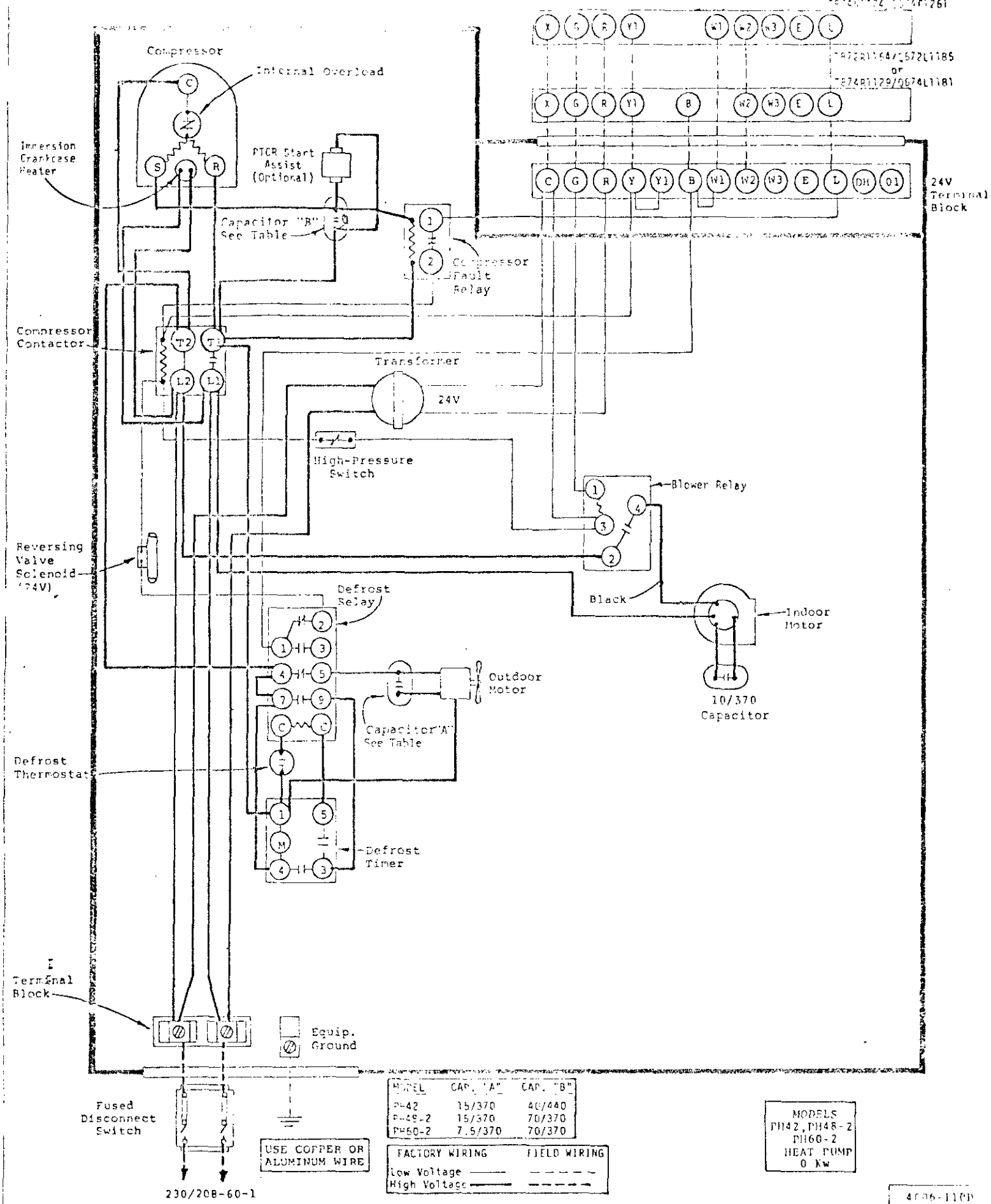
NOTE A: 4 Ton Capacitor - 15/370V
5 Ton Capacitor - 7 1/2 /370V

- ① Reroute jumper from X2-W2 to X2-E.
- ② Set heat anticipators at .40A for W1

USE COPPER OR ALUMINUM WIRE

Factory Wiring _____
Field Wiring - - - - -

Single Package
Heat Pump
4 and 5 Ton



MODEL	CAP. "A"	CAP. "B"
PH42	15/370	40/440
PH48-2	15/370	70/370
PH60-2	7.5/370	70/370

USE COPPER OR ALUMINUM WIRE

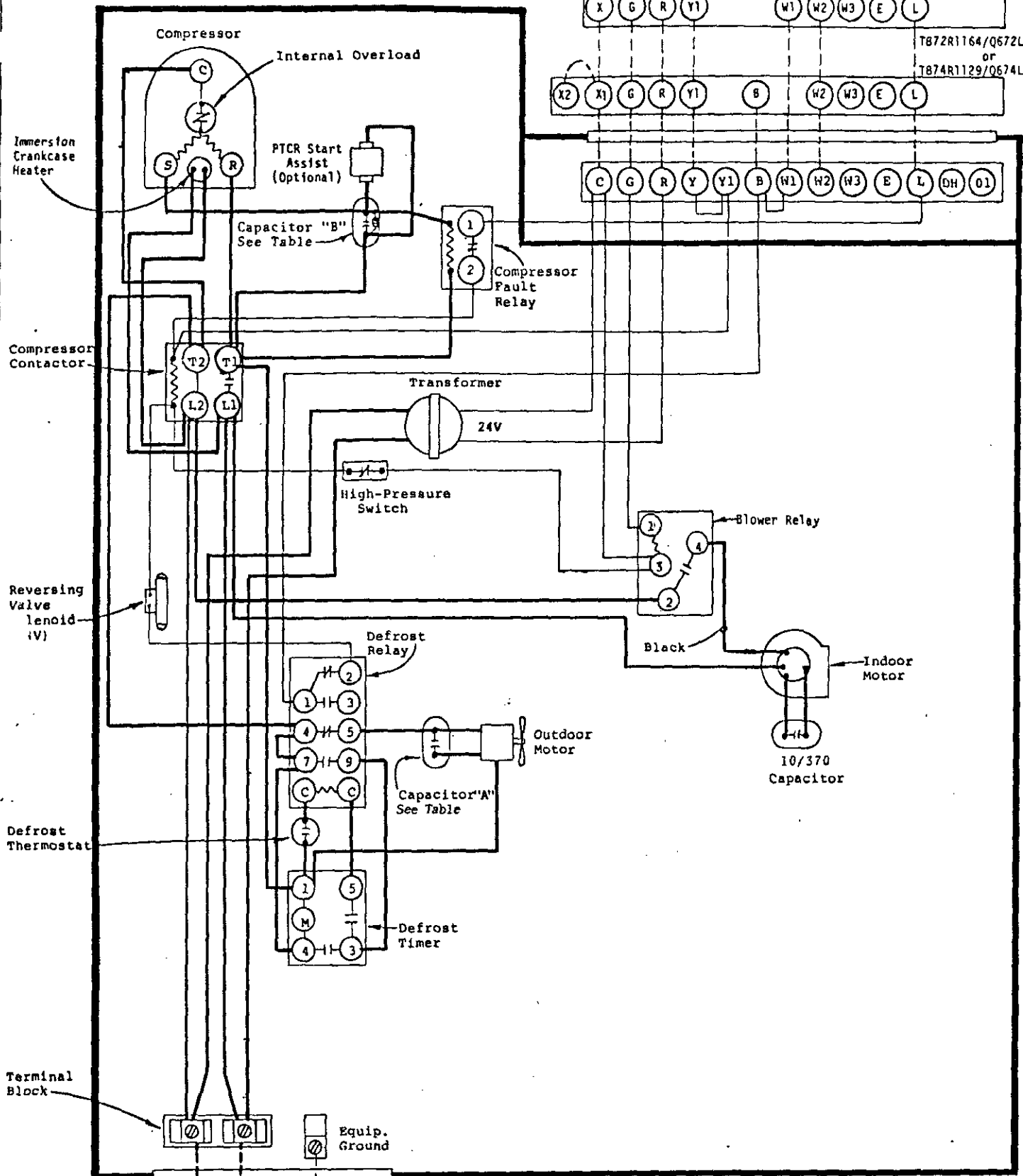
	FACTORY WIRING	FIELD WIRING
Low Voltage	—————	-----
High Voltage	—————	-----

MODELS
PH42, PH48-2
PH60-2
HEAT PUMP
0 Kw

T872N1036/Q672F1299
 or
 T874N1024/Q674F1261

T872R1164/Q672L1185
 or
 T874R1129/Q674L1181

24V
 Terminal
 Block



Fused
 Disconnect
 Switch

USE COPPER OR
 ALUMINUM WIRE

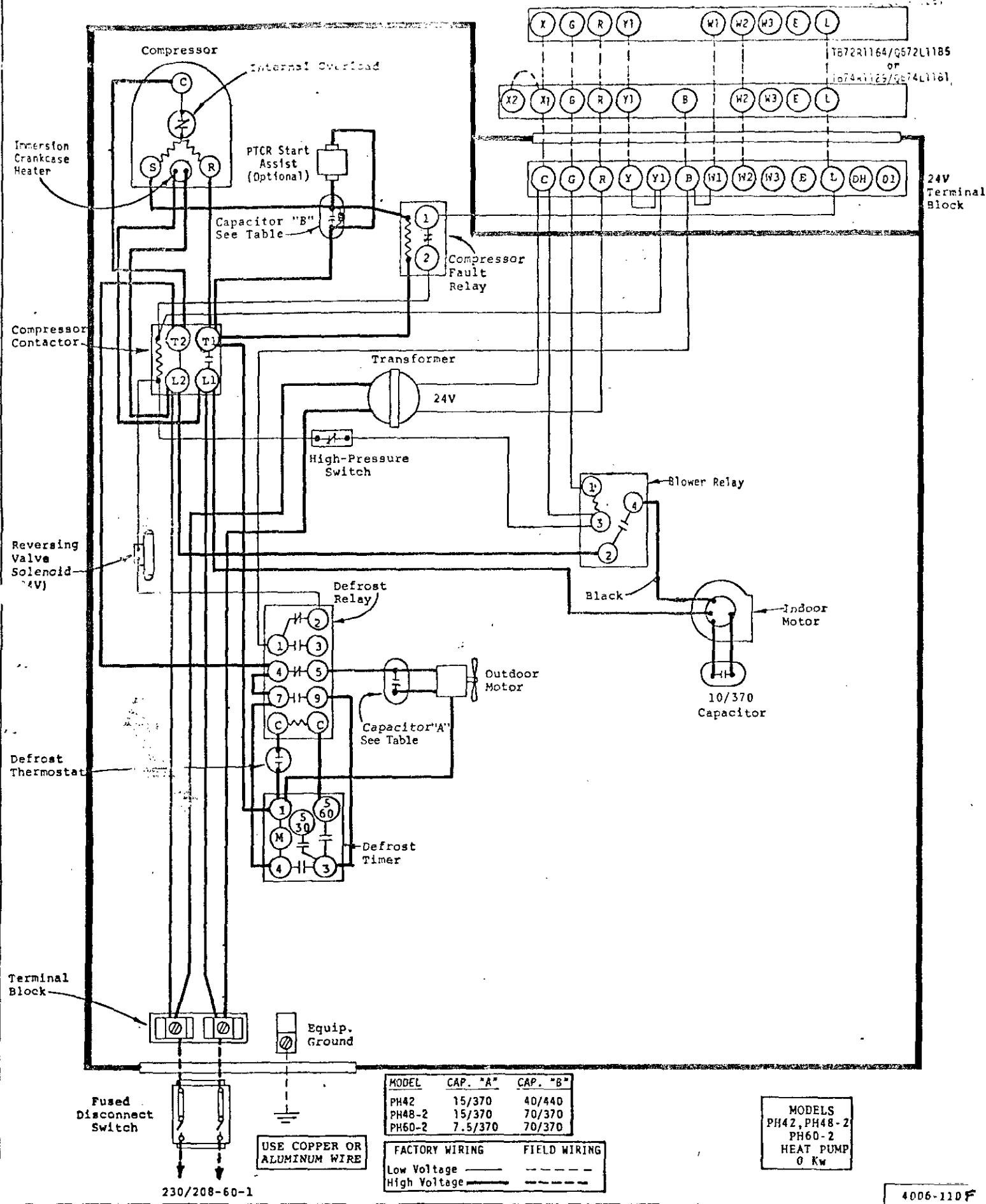
MODEL	CAP. "A"	CAP. "B"
PH42	15/370	40/440
PH48-2	15/370	70/370
PH60-2	7.5/370	70/370

	FACTORY WIRING	FIELD WIRING
Low Voltage	-----	-----
High Voltage	-----	-----

MODELS
 PH42, PH48-2
 PH60-2
 HEAT PUMP
 0 KW

230/208-60-1

4006-110E



230/208-60-1

USE COPPER OR ALUMINUM WIRE

MODEL	CAP. "A"	CAP. "B"
PH42	15/370	40/440
PH48-2	15/370	70/370
PH60-2	7.5/370	70/370

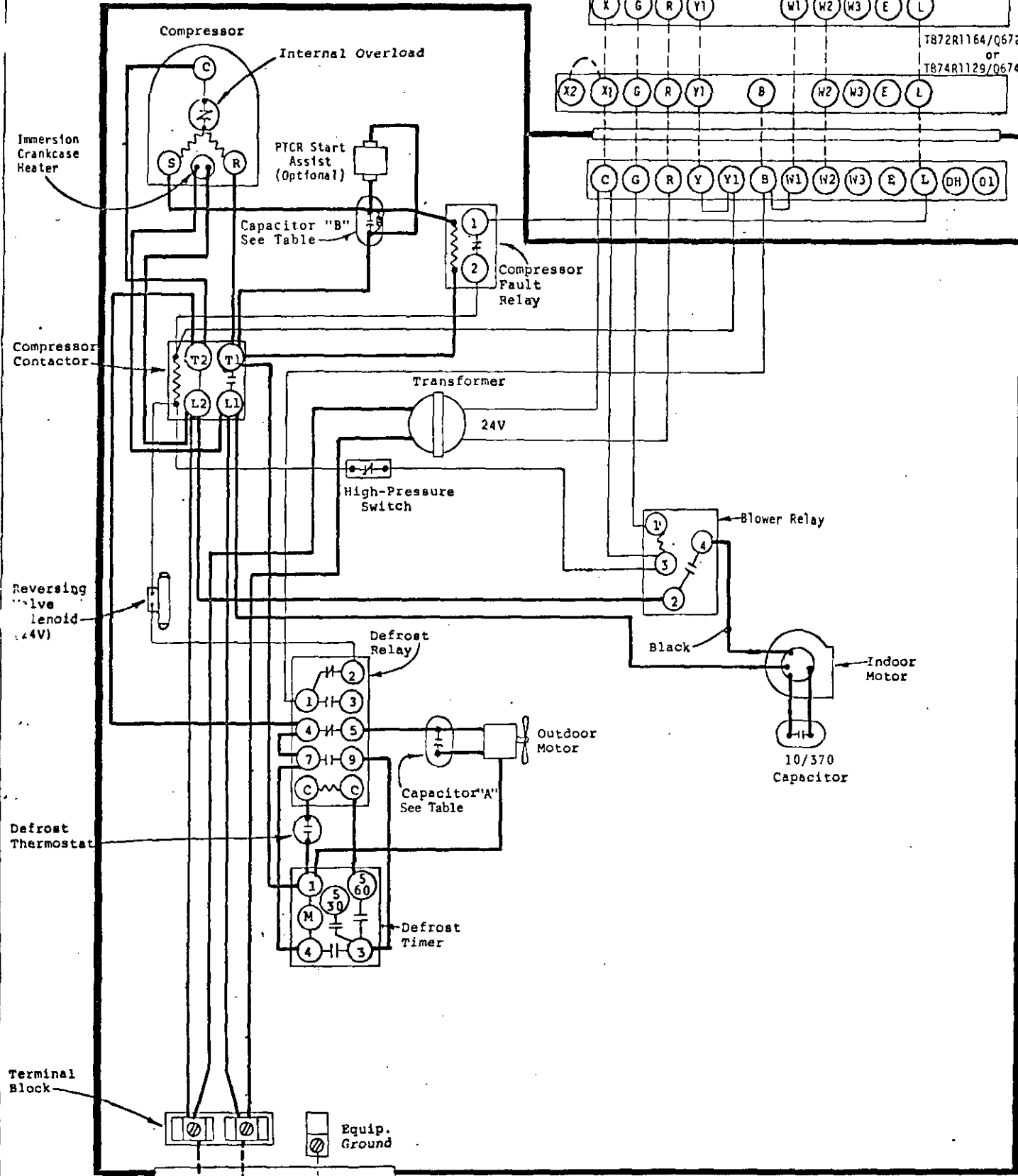
	FACTORY WIRING	FIELD WIRING
Low Voltage	_____	-----
High Voltage	_____	-----

MODELS
PH42, PH48-2
PH60-2
HEAT PUMP
0 Kw

T872N1036/Q672F1299
 or
 T874N1024/Q674F1261

T872R1164/Q672L1185
 or
 T874R1129/Q674L1181

24V
 Terminal
 Block



USE COPPER OR ALUMINUM WIRE

230/208-60-1

	FACTORY WIRING	FIELD WIRING
Low Voltage	—	- - - - -
High Voltage	- - - - -	—

MODEL	CAP. "A"	CAP. "B"
PH42	15/370	40/440
PH48-2	15/370	70/370
PH60-2	7.5/370	70/370
PH60-4	7.5/370	90/370

MODELS
 PH42, PH48-2
 PH60-2, PH60-4
 HEAT PUMP
 0 Kw