

T874N1024/  
0674F1261

or

T874R1129/  
0674F1181

24V  
Terminal  
Block

Reversing  
Valve  
Solenoid  
(24V)

Defrost  
Thermostat

240V  
Terminal  
Block

Fused  
Disconnect  
Switch

Compressor

Internal Overload

Immersion  
Crankcase  
Heater

Compressor  
Contactor

Transformer

24V

High Pressure Switch

Defrost Relay

5/370V  
Capacitor

Outdoor  
Motor

Defrost Timer

Limit

Heater  
Contactor

Equip.  
Ground

Em. Heat  
Relay

Cooling  
Blower  
Relay

Heating  
Blower  
Relay

4/370  
Capacitor

Indoor  
Motor

Thermal  
Cutoff

Electric  
Heaters

Factory Wiring  
Field Wiring

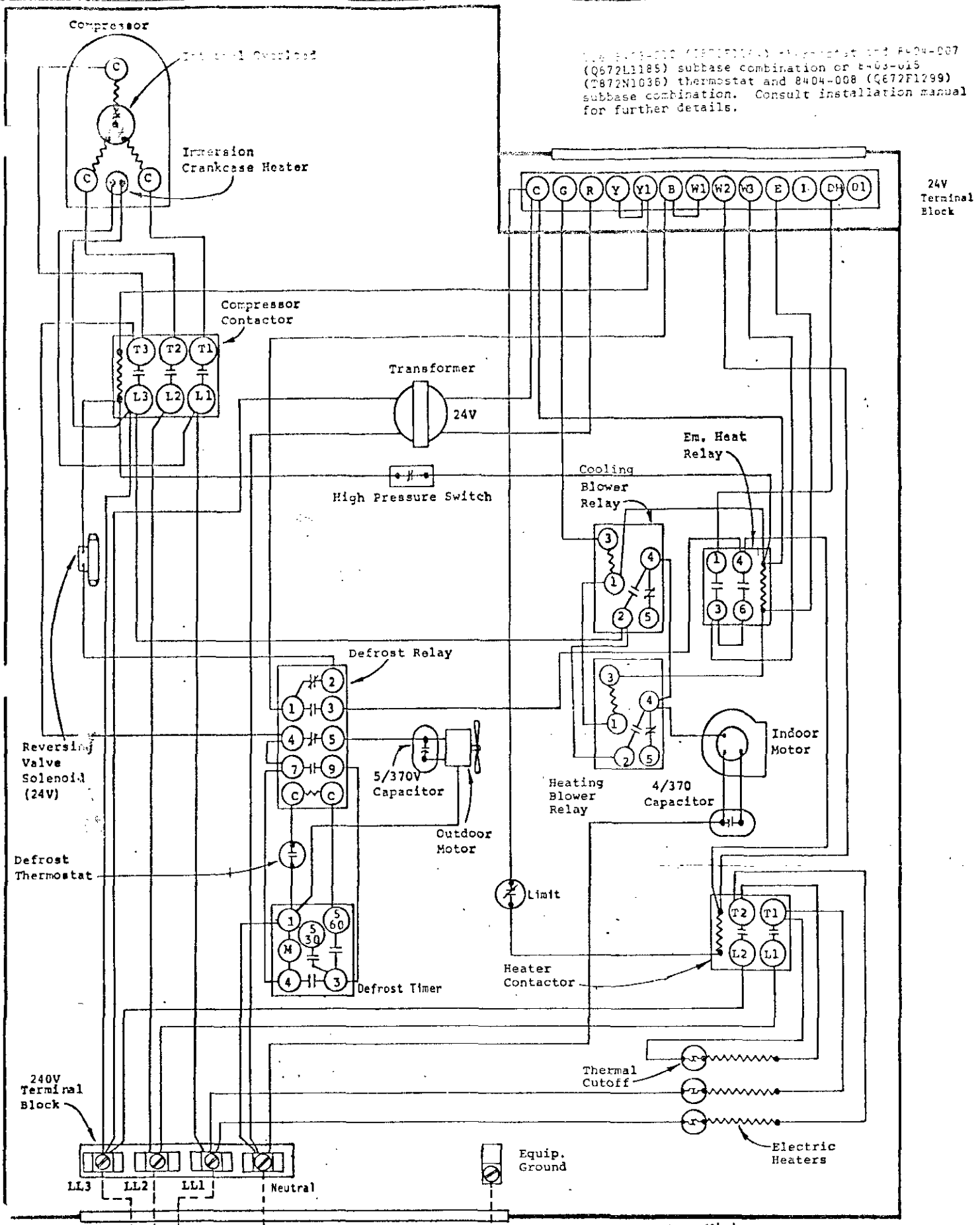
USE COPPER OR  
ALUMINUM WIRE

PH36-2  
Heat Pump  
w/6.75, 9.11, 25 Kw

415/380-50-3

4005-6204

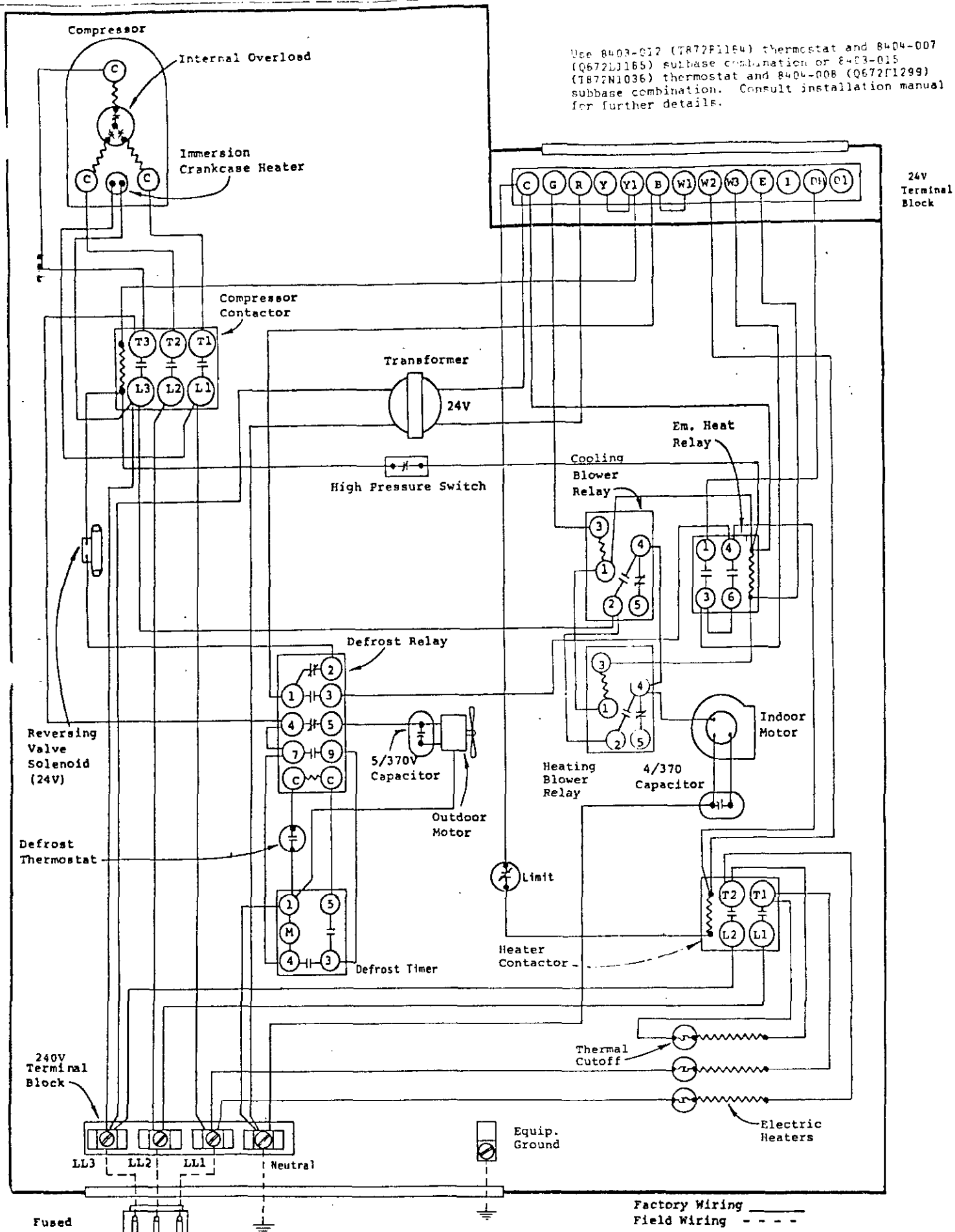
Use 240V-010 (Q672F1299) thermostat and 2404-007 (Q672L1185) subbase combination or 2403-015 (Q672N1036) thermostat and 2404-008 (Q672F1299) subbase combination. Consult installation manual for further details.



USE COPPER OR ALUMINUM WIRE

PH36-2  
Heat Pump  
w/6.75, 9, 11.25 Kw

Use 8403-012 (T872F1164) thermostat and 8404-007 (Q672LJ1165) subbase combination or 8403-015 (T872N1036) thermostat and 8404-008 (Q672F1299) subbase combination. Consult installation manual for further details.



24V Terminal Block

240V Terminal Block

LL3 LL2 LL1 Neutral

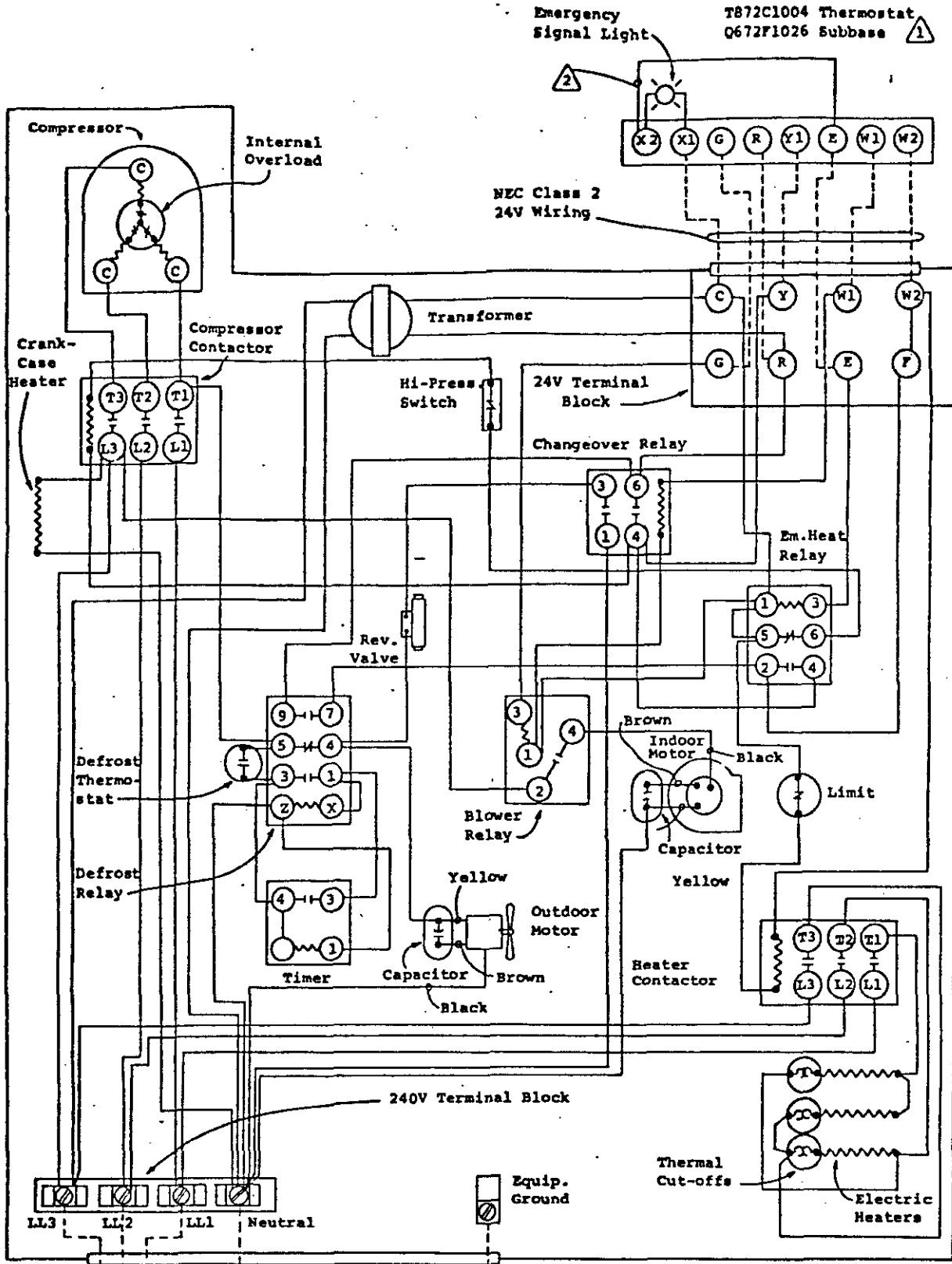
Equip. Ground

Factory Wiring ———  
Field Wiring - - - -

USE COPPER OR ALUMINUM WIRE

PH36-2  
Heat Pump  
w/6.75, 9.11, 25 Kw

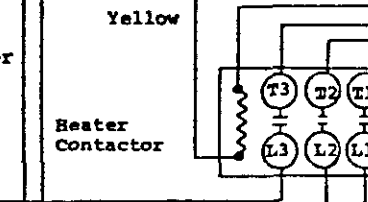
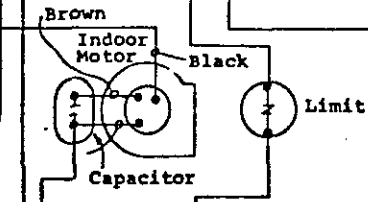




Emergency Signal Light

T872C1004 Thermostat  
Q672F1026 Subbase

NEC Class 2  
24V Wiring



1 Set heat anticipators at .40A

2 Reroute jumper from X2-W2 to X2-E.

USE COPPER OR ALUMINUM WIRE

Factory Wiring ———  
Field Wiring - - - - -

Single Package  
Heat Pump  
3-Ton  
w/6.75, 9, 11.25Kw



415/380-50-3

Rev. C  
4005-620