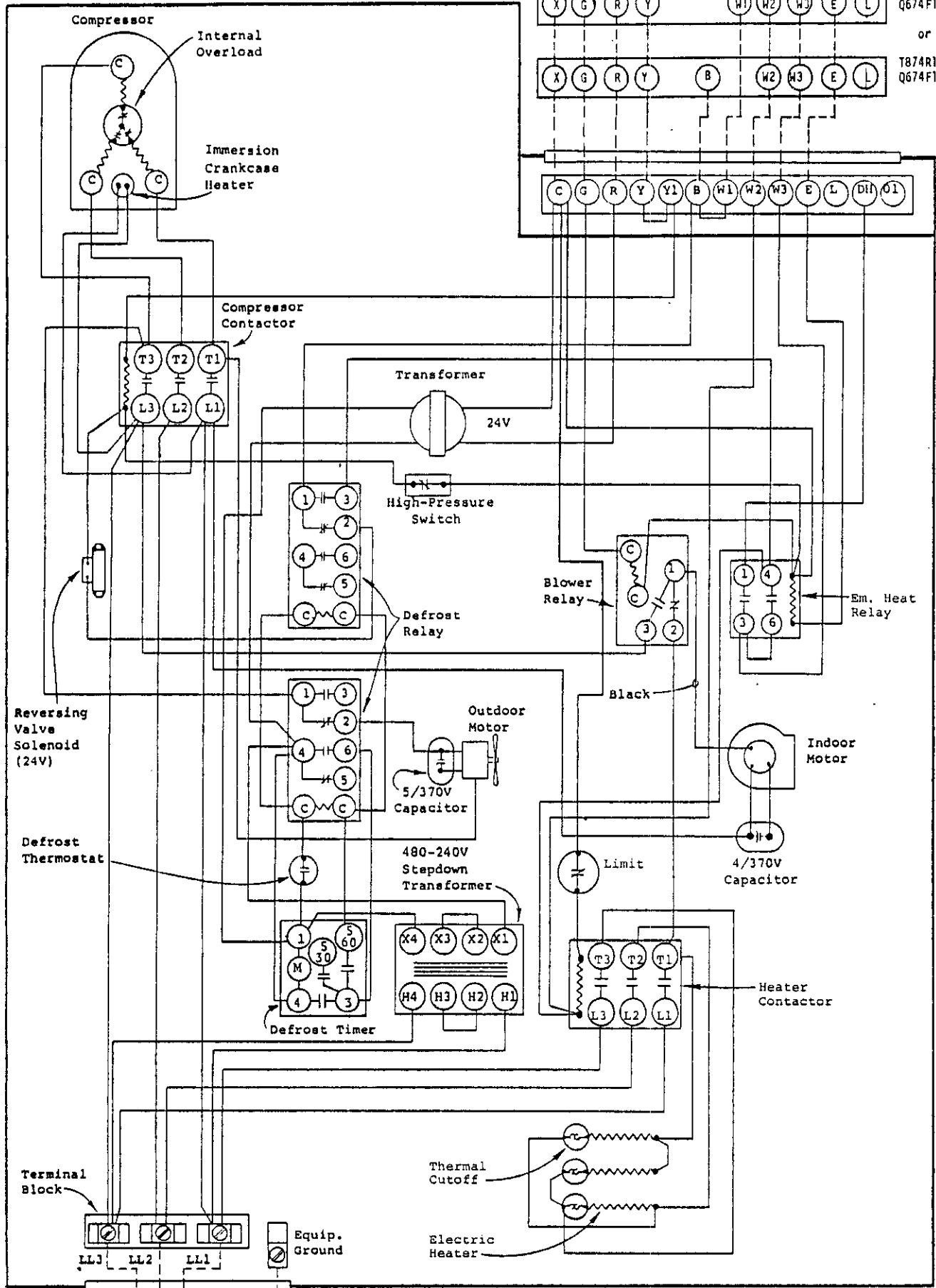


T874N1024/
Q674F1261
or
T874R1129/
Q674F1181

24V
Terminal
Block



Terminal
Block

LL3 LL2 LL1

Equip.
Ground

Thermal
Cutoff

Electric
Heater

Heater
Contactor

Blower
Relay

Em. Heat
Relay

High-Pressure
Switch

Defrost
Relay

Outdoor
Motor

5/370V
Capacitor

480-240V
Stepdown
Transformer

Defrost
Timer

X4 X3 X2 X1
H4 H3 H2 H1

Limit

4/370V
Capacitor

Indoor
Motor

Transformer
24V

Compressor
Contactor

Immersion
Crankcase
Heater

Internal
Overload

Compressor

Factory Wiring ———
Field Wiring - - - -

Fused
Disconnect
Switch

460-60-3

USE COPPER OR
ALUMINUM WIRE

MODEL
PH36-2
Heat Pump
w/6,9,12,15kW

4005-320E