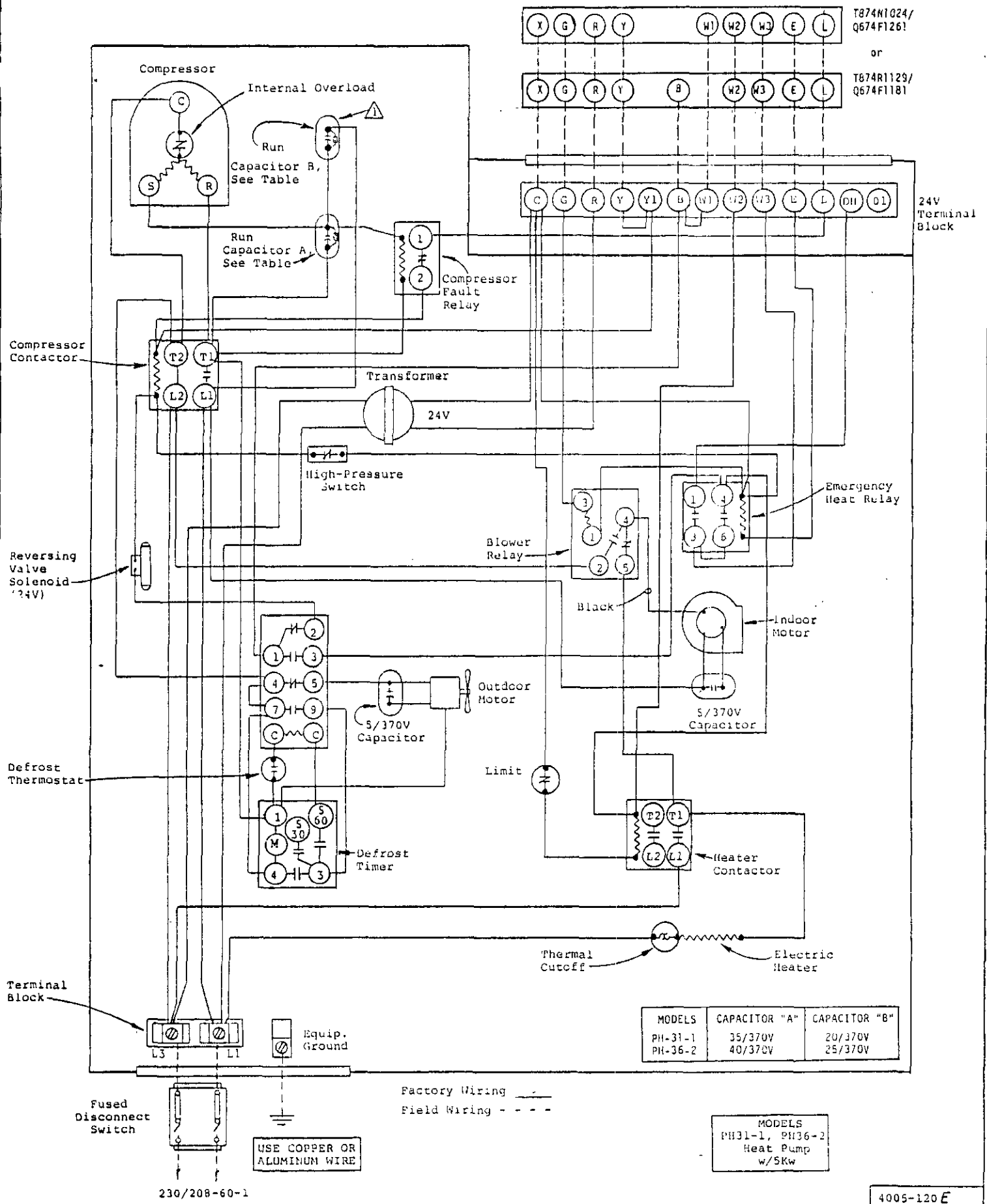


⚠ Capacitor provides off-cycle crankcase heat.



| MODELS  | CAPACITOR "A" | CAPACITOR "B" |
|---------|---------------|---------------|
| PH-31-1 | 35/370V       | 20/370V       |
| PH-36-2 | 40/370V       | 25/370V       |

MODELS  
PH31-1, PH36-2  
Heat Pump  
w/5Kw

Factory Wiring ———  
Field Wiring - - - -

USE COPPER OR  
ALUMINUM WIRE