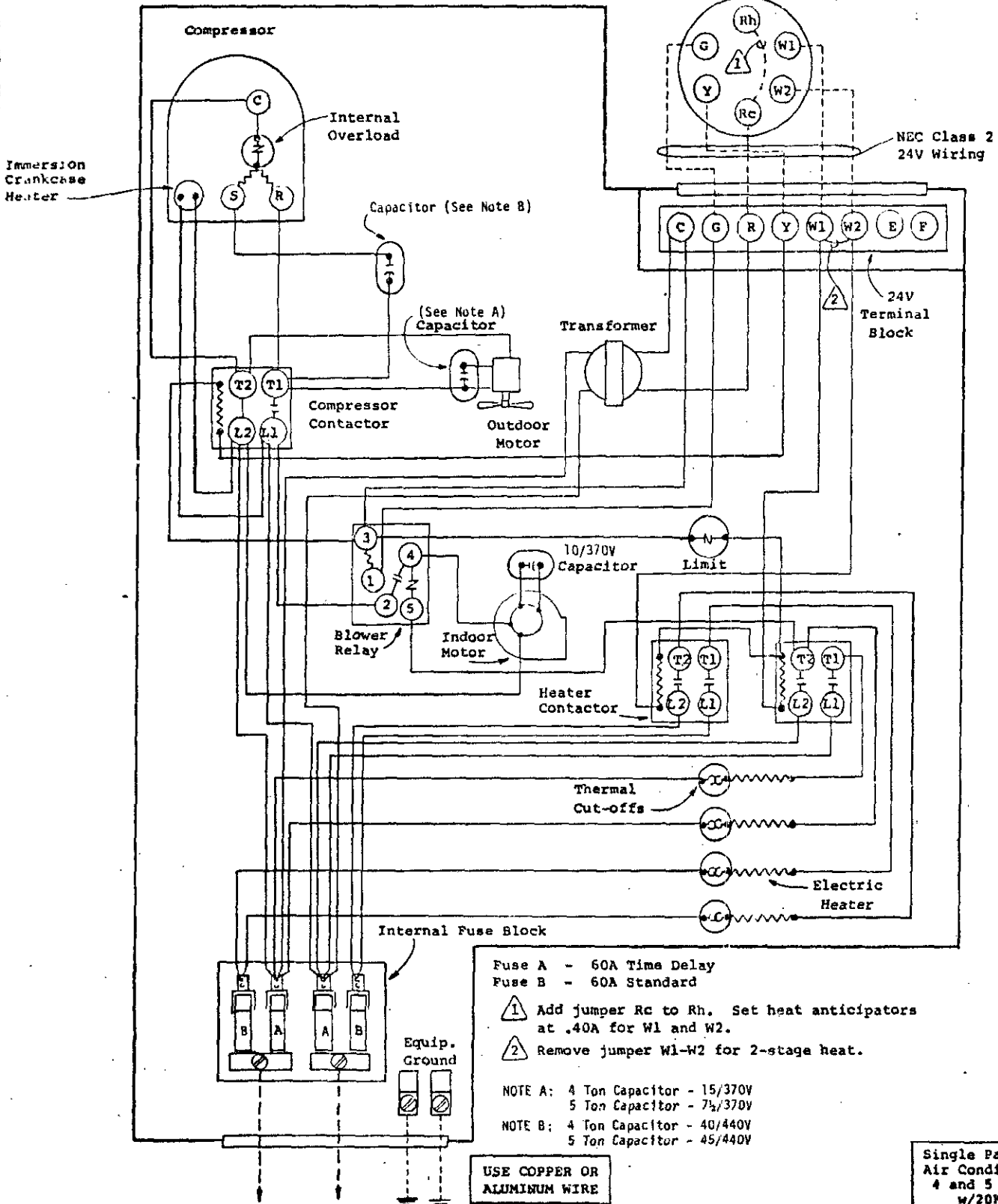


T872C1004 Thermostat  
Q672A1005 Subbase



Fuse A - 60A Time Delay  
Fuse B - 60A Standard

1 Add jumper Rc to Rh. Set heat anticipators at .40A for W1 and W2.

2 Remove jumper W1-W2 for 2-stage heat.

NOTE A: 4 Ton Capacitor - 15/370V  
5 Ton Capacitor - 7 1/2/370V

NOTE B: 4 Ton Capacitor - 40/440V  
5 Ton Capacitor - 45/440V

USE COPPER OR ALUMINUM WIRE

Single Package  
Air Conditioner  
4 and 5 Ton  
w/20Kw

230/208V 60 Hz 1-Ph

Factory Wiring ———  
Field Wiring - - - -

4002-150D