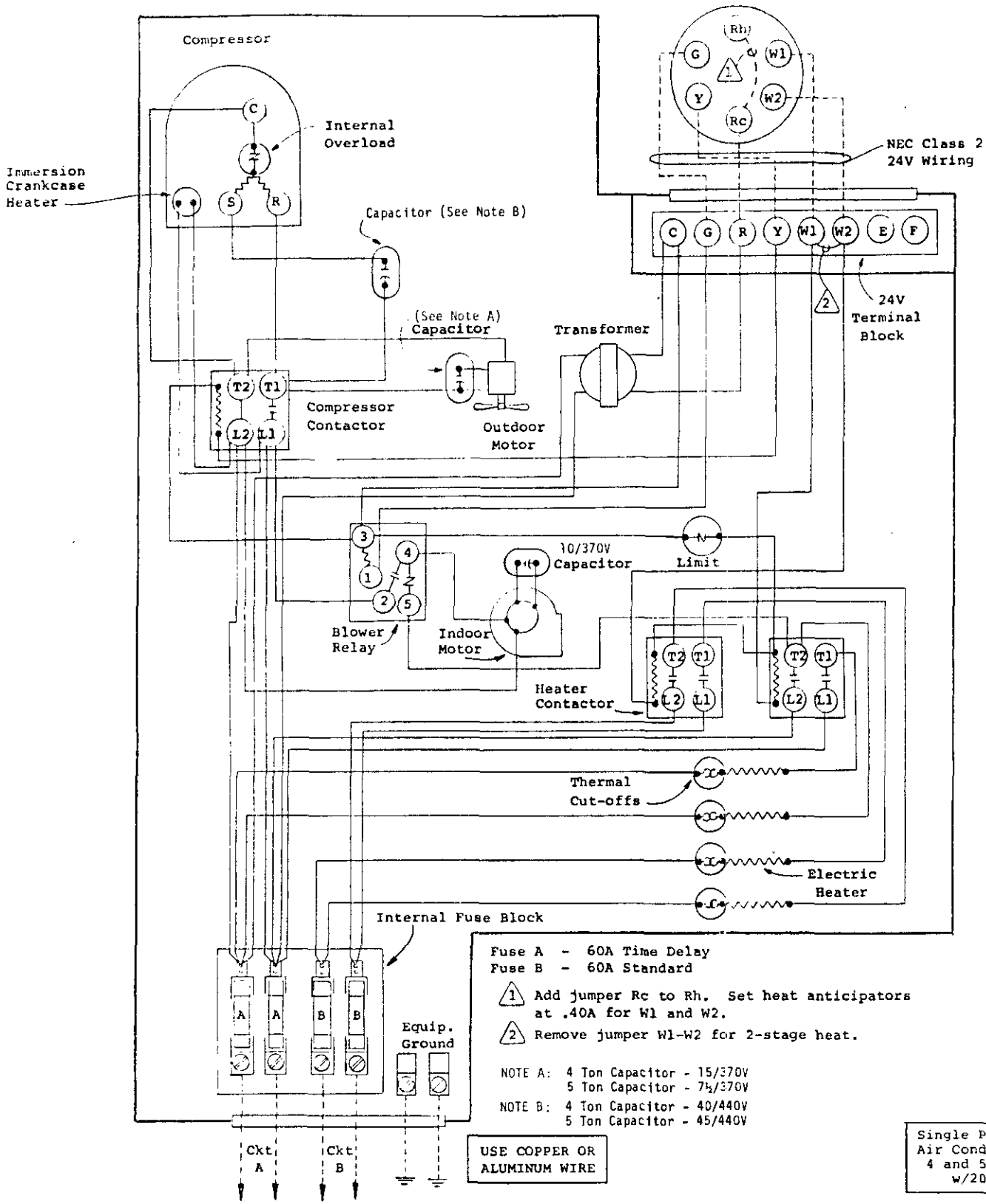


T872C1004 Thermostat
 Q672A1005 Subbase



- Fuse A - 60A Time Delay
 Fuse B - 60A Standard
- ① Add jumper Rc to Rh. Set heat anticipators at .40A for W1 and W2.
 ② Remove jumper W1-W2 for 2-stage heat.
- NOTE A: 4 Ton Capacitor - 15/370V
 5 Ton Capacitor - 7½/370V
- NOTE B: 4 Ton Capacitor - 40/440V
 5 Ton Capacitor - 45/440V

USE COPPER OR ALUMINUM WIRE

Single Package Air Conditioner
 4 and 5 Ton
 w/20kw

230/208V 60 Hz 1-Ph

Factory Wiring ———
 Field Wiring - - - -