

# Bard Shipping Crates for Wall Mount Products

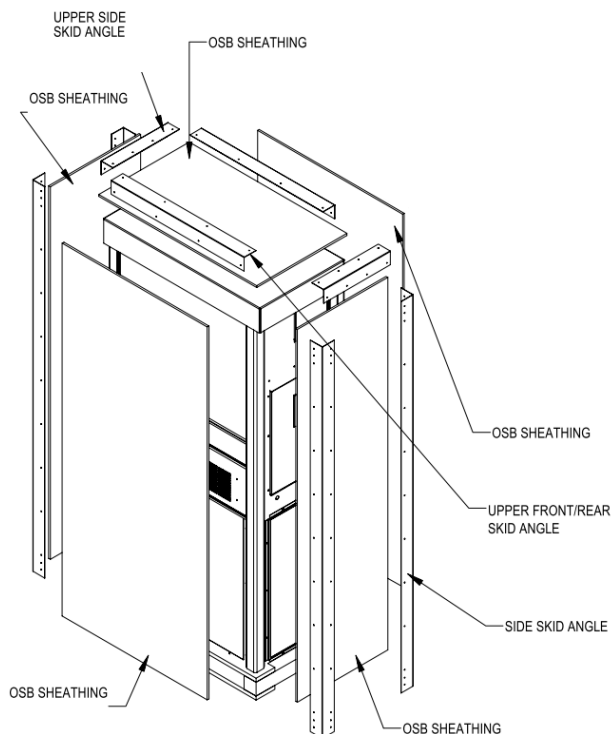
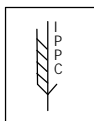
Bard offers additional shipping protection through the use of a shipping crate. Specified at the time the product is ordered, it offers additional protection against cabinet scratches, corner impact and panel damage.

The crate is comprised of 7/16" OSB board and galvanized steel angles around the existing unit packaging. Existing unit packaging helps absorb impacts normally associated with shipping products.

## Crate Features

### Features of the Shipping Crate:

- Steel corners for additional corner impact protection.
- OSB sheathing construction for additional scratch protection.
- Sized for truck transportation.
- Forklift openings in skid.
- Treated for pests in accordance with the International Plant Protection Convention, Publication 15, Annex 1. Packaging is acceptable for international shipments.



## Crate Sizes & Weights

Crate Overall Dimensions & Additional Shipping Weights:				
Crate Part #	Height	Width	Depth	Weight
8620-231	76.5	38	22.5	110
8620-232	76.5	43	22.5	124
8620-234	90.5	47	27.5	170
8620-250	100.5	47	27.5	220
8620-262	80.5	43	22.5	132
8620-263	80.5	38	22.5	—
8620-304	90.0	46	29.5	—
8620-305	99.0	46	29.5	—

**REMINDER:** Always inspect unit for shipping damage when product is received by disassembling crate. This will help identify possible damage before signing documentation provided by shipper.

