

# Bard®

SINCE 1914

Climate Control Solutions

## Bard Model ILS1

### Bard 1" Deep I-TEC® Standard Louver

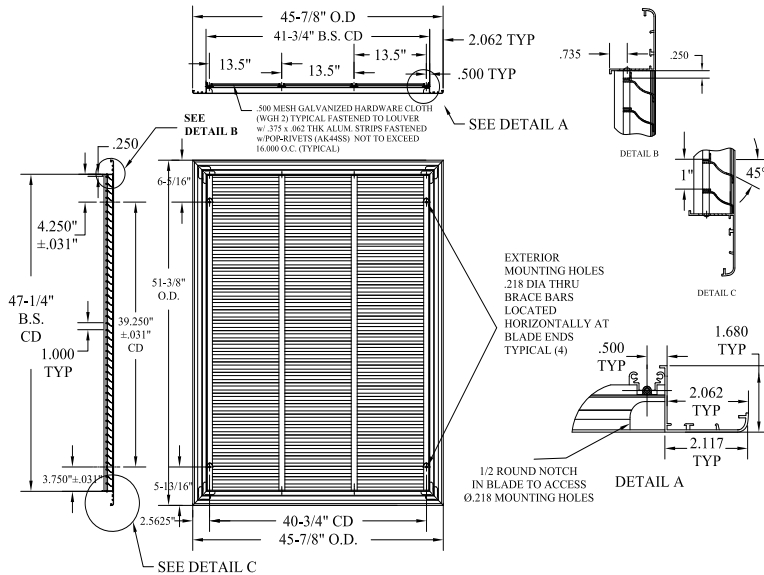
**SUSTAINABLE EXTRUDED ALUMINUM**

**Dimensions are in inches**

#### MODEL ILS1



An attractive mechanical air louver with our exclusive shading "C" blade.



#### DESCRIPTION:

ILS1: This model offers the economical louver design of the 1" depth combined with the strength of our "C" blade for an attractive mechanical louver with shaded line-of-sight. Constructed of sustainable aluminum with 6063-T5 mill finish and a high performance powder coat finish. The ILS1 will enhance design while assuring the I-TECs performance ratings.

#### Features Include:

- Bard's engineering lab design and testing assures the rated ventilation and efficiency performance of the I-TEC product.
- Our exclusive "C" blade design offers strength and sight-shading for a clean appearance.
- The louver is flange framed and 1" deep.
- The "C" blade .040" extrusions coupled with mechanical bonding offer a louver that is stronger than most 1" louvers.

#### STANDARD COLORS:

- #10 - Aluminum
- #20 - Medium Bronze
- #30 - Dark Bronze

#### OPTIONAL COLORS:

- #12 - Artic White
- #14 - Storm White
- #18 - Milano Beige
- #40 - School Bus Yellow
- #42 - Florida Orange
- #44 - School House Red
- #46 - Chili Red
- #50 - Deep Sea Blue
- #52 - Bahama Blue
- #54 - Ivy Green
- #56 - Sage Green
- #32 - Jet Black
- #36 - Graphite Grey

**CUSTOM COLOR: #75-Custom (Sample Attached)**

**PROJECT:**

**ENGINEER:**

**CONTRACTOR:**

**DATE**

**SERIES**

**DRAWING NO.**