

SUPPLEMENTAL INSTRUCTIONS

Q-TEC™ Condenser Bypass Blank Off Plate Kit Models: Q3TBOP and Q4TBOP

Overview

The Q*TBOP Q-TEC Condenser Bypass Blank Off Plate Kit allows retrofit installation of a Q**H4 & Q**A4 into an existing wall sleeve used with a previous generation Q-TEC product.

When installed, the condenser bypass blank off plate will prevent recirculation of condenser intake and exhaust air. Use of the Q*TBOP kit is necessary for sleeves deeper than 14”.

The Q*TBOP kit includes:

- Condenser blank off plate
- 1012-086 screw (3)
- 7960-899 Supplemental Instructions

Tools needed for the installation:

- 5/16" nut driver

TABLE 1
Application Guide

QH Model	QA Model	Wall Sleeve	Kit
Q24-36H	Q36-42A	16"	Q3TBOP-16
Q24-36H	Q36-42A	19" & 20"	Q3TBOP-20
Q24-36H	Q36-42A	23"	Q3TBOP-23
Q24-36H	Q36-42A	30"	Q3TBOP-30
Q43-48H	Q48A	16"	Q4TBOP-16
Q43-48H	Q48A	19" & 20"	Q4TBOP-20
Q43-48H	Q48A	23"	Q4TBOP-23
Q43-48H	Q48A	30"	Q4TBOP-30

Installation

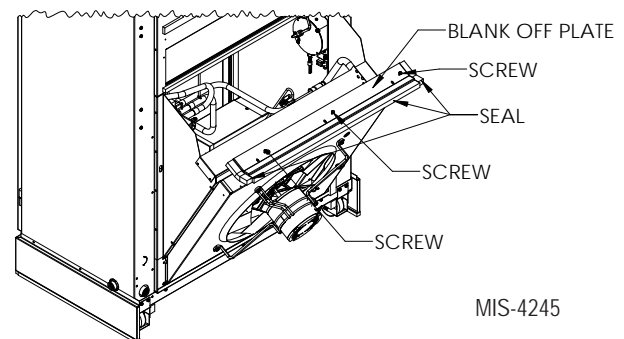
When installing Q**H4 and Q**A4 units into an existing wall sleeve that exceeds 14" in depth, the blank off plate will need replaced with a Q*TBOP kit.

1. Remove screws securing existing blank off plate from top of condenser fan shroud and discard.
2. Install blank off plate from kit onto condenser fan shroud using supplied screws (see Figure 1).

The Q**TBOP-20 kit accommodates both 19" and 20" deep wall sleeves. The adjustable slots allow the plate to be slid out to reach the louver installed in a 20" wall sleeve.

3. Install condenser louver. Make sure seal on blank off plate reaches back of louver to avoid condenser recirculation. Failure to ensure plate reaches the back of the louver could result in high system pressures during high outdoor ambient temperatures and reduced unit performance.

FIGURE 1
Installation of Q*TBOP Condenser Blank Off Plate



Bard Manufacturing Company, Inc.
Bryan, Ohio 43506
www.bardhvac.com

Manual: 7960-899
Supersedes: **NEW**
Date: 11-9-20