
SUPPLEMENTAL INSTRUCTIONS

QDMCK Q-TEC™ Door Mounted Control Kit

Overview

Thermostat placement inside a room is important to unit operation and often mounting the thermostat to the door of an indoor heating and cooling unit is requested. The QDMCK Q-TEC door-mounted control kit is used to mount a thermostat* to the front left door of the Q-TEC indoor cooling and heating product. It consists of a wiring harness, screws and other materials necessary to run wiring from the low voltage terminal strip inside the unit control panel to the thermostat on the front door. Plugs are provided in the wiring harness to allow for easy door removal. Hole drilling through the front door and metal cutting is required and safety practices and procedures must be used when installing.

It is important to follow these instructions in order to ensure the thermostat is mounted correctly and wiring is secure. Follow all guidelines provided with the thermostat, and follow normal installation procedures including the following:

- A trained, experienced technician must install the thermostat.
- Do not place the thermostat in an area exposed to direct sunlight for extended periods of time.
- Direct exposure to supply air (in the supply air stream) or other sources of hot or cold temperatures may cause false temperature readings by the thermostat.
- The thermostat must be located in the area being heated or cooled.
- Make sure all wiring connections in the low voltage terminal strip and thermostat are secure.
- Review and test all functionality of the thermostat once it is installed.
- If batteries are required in the thermostat, make sure they are installed and functioning properly.

* Thermostat or other control field supplied

The QDMCK Q-TEC Door Mounted Control kit includes:

- 3000-1701 wire harness
- #8 screw (2)
- 7/8" snap bushing
- 2" snap bushing
- 9-1/2" black edge guard
- 1-1/2" black edge guard (2)
- Push-mount cable tie (2)
- 7960-891 Supplemental Instructions

Tools needed for the installation:

- Personal protection equipment, including gloves and safety glasses
- 5/16" nut driver
- Phillips head screwdriver
- Drill
- 7/8" hole saw
- Drill bit sized for thermostat mounting screws
- Small screwdriver for thermostat wiring
- Tin snips
- Tape measure
- Pencil

Installation

1. Disconnect all power to unit.
2. Open front doors of unit.
3. Remove four (4) screws securing inner control panel cover and set cover out of the way (retain screws for future use).
4. Disconnect 15-pin low voltage plug secured in top of control panel assembly above low voltage strip.

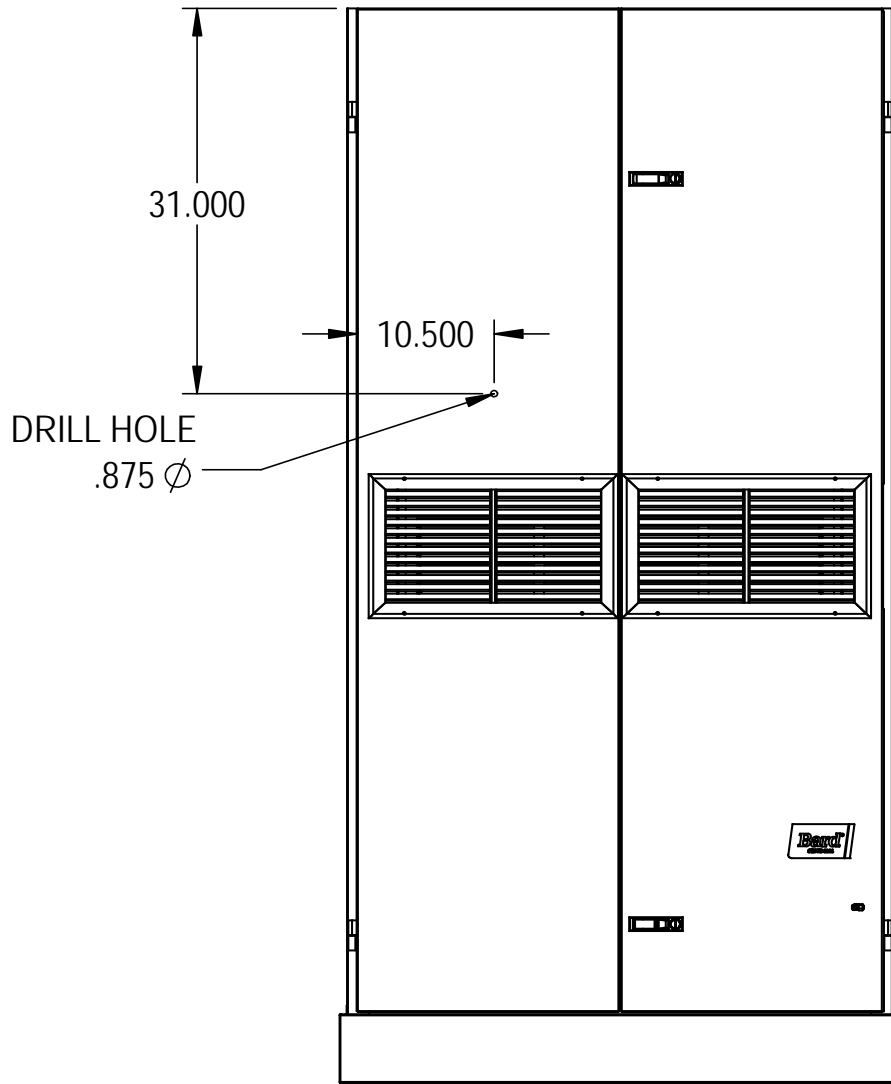


Bard Manufacturing Company, Inc.
Bryan, Ohio 43506
www.bardhvac.com

Manual: 7960-891
Supersedes: **NEW**
Date: 11-9-20

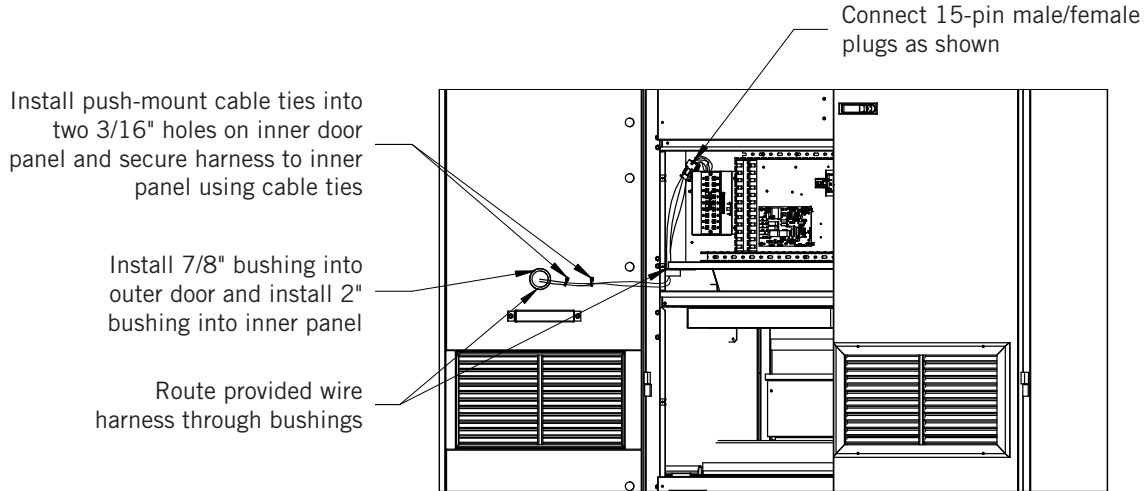
5. Using the wire harness provided with kit, route the wires through the lower left control panel bushing to enter control panel. Connect the wire harness to low voltage plug end that was disconnected in Step 4.
 6. On the front of the left-hand outer door, measure down 31" from the top and 10-1/2" from the left-hand side of the door (see Figure 1). Drill a 7/8" hole at this spot in the front of the door.
 7. Install 7/8" snap bushing (supplied) into the drilled hole. Install supplied 2" snap bushing into inner panel (to protect the wires). See Figure 2.
 8. Using a knife, slit/cut the insulation to allow wires to be transferred through the hole in the door.
 9. Locate the thermostat sub-base onto the door with the snap bushing centered in the opening on the sub-base (as shown in Figure 3), then secure the sub-base to the door. (Screws are typically supplied with thermostats, but pilot holes will need to be drilled in the sheet metal door.)
 10. Route wires from the wiring harness included in the kit (with the wire loom over the wires) through the hole in the door from the back side, and connect the wires to the designated terminals of the thermostat sub-base (see Figure 4). Thermostat wiring connections can be found in the Q-TEC unit installation instructions, or may be job specific.
- Make sure to reference specified thermostat and ventilation options as low voltage diagrams differ.**

FIGURE 1
Drill Hole in Left-Hand Door



MIS-4232

FIGURE 2
Bracket Mounting and Wiring



MIS-4233

FIGURE 3
Mount Thermostat Sub-Base on Door



FIGURE 4
Connect Wires to Thermostat Sub-Base



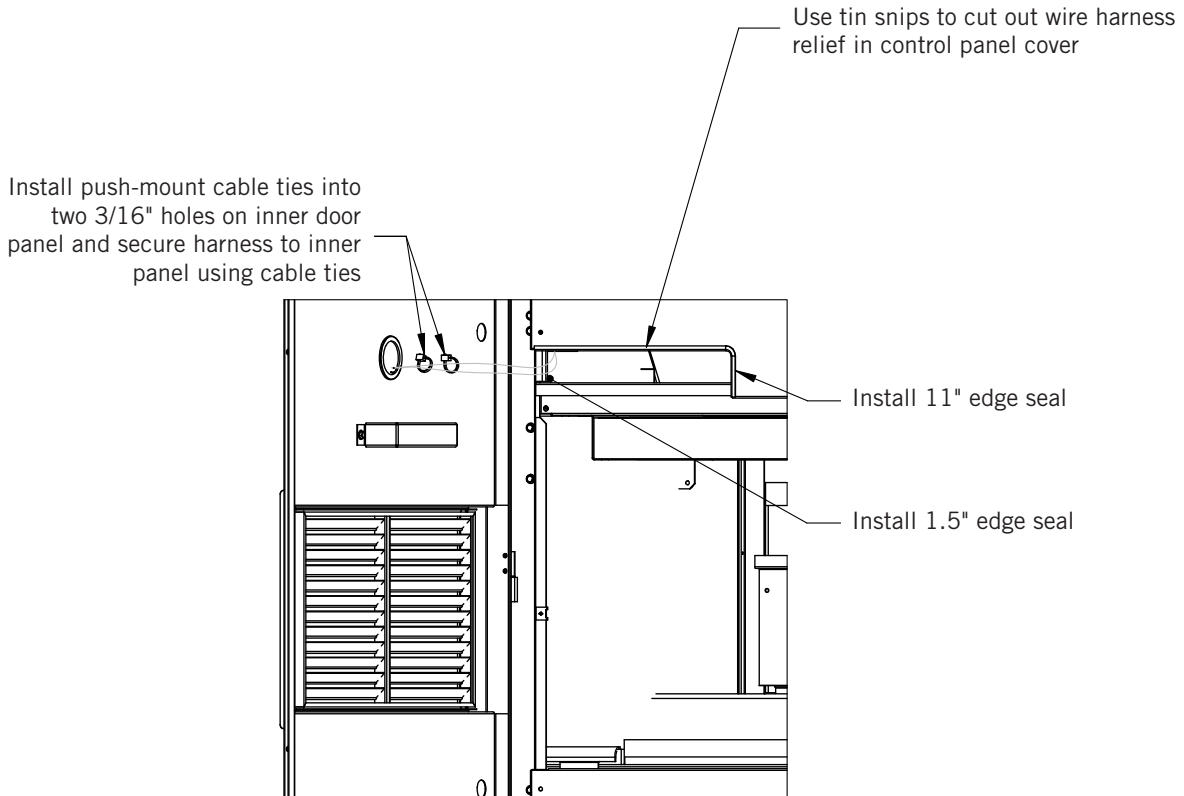
TABLE 1
Low Voltage Connections

Typical Terminal Strip Connection*	Wire Color	Connection or Operation
C	Black/White	Common
L	Pink	Alarm/Error
G	Orange	Fan Only
A	Brown/White	Ventilation
R	Red/White	24 Volt
RT	Red/Blue	24 Volt
4	Gray	Ventilation
Y1	Black/Yellow	Balanced Climate Cooling
Y2	Purple/Black	Rated Cooling
B/W1	Blue	Heat Pump
W2	Brown/White	Electric Heat
W3	Blue/Black	Emergency Heat
D	Purple/White	Dehumidification

* Can be superseded by job specific wiring diagrams with specific control requirements.

11. Use the two push-mount cable ties supplied with kit to secure wire loom to the backside of the door as shown in Figure 5. Two 3/16" holes are provided in door to secure the push-mount cable tie.
 12. Locate inner control panel cover removed during Step 3. On the lower left-hand corner of the panel cover are slots which indicate a "cut line". Using tin snips, cut through the tabs that are retaining this section of the panel and discard (see Figure 5).
 13. Install one (1) short piece of black edge guard (included with kit) over the edge of the left side of the unit and one (1) short piece on the right side of the panel cutout (see Figure 5). Install long piece of black edge guard on inner control panel where piece was removed. The edging will protect the wires from raw sheet metal edges.
 14. Re-install inner control panel cover with four (4) screws removed earlier.
 15. Attach the thermostat to the thermostat sub-base on the door.
 16. Turn unit power on.
 17. Close and secure the outer doors.
- Installation is now complete.

FIGURE 5
Modify Inner Control Panel and Install Edging to Protect Wires



MIS-4234