

# SUPPLEMENTAL INSTRUCTIONS

## Top Fill Models:

QPBX36-9-4	QPBX36-10-4	QPBX49-9-4	QPBX49-10-4
QPBX36-9-V	QPBX36-10-V	QPBX49-9-V	QPBX49-10-V
QPBX36-9-X	QPBX36-10-X	QPBX49-9-X	QPBX49-10-X

### Application

Top fill kits can be used in conjunction with a plenum box or cabinet extension options. There are separate kits for 9' 6" and 10' 2" ceiling heights. See Table 1 for maximum ceiling heights.

TABLE 1

Top Fill	Plenum Box/ Cabinet Extension	Max Ceiling Height
QPBX36-9	QPB36 or QPBS36	9' 6"
QPBX36-9	Q4CX10A	10' 2"
QPBX49-9	QPB49 or QPBS49	9' 6"
QPBX49-9	Q4CX15A	10' 2"
QPBX36-10	QPB36 or QPBS36	10' 2"
QPBX49-10	QPB49 or QPBS49	10' 2"

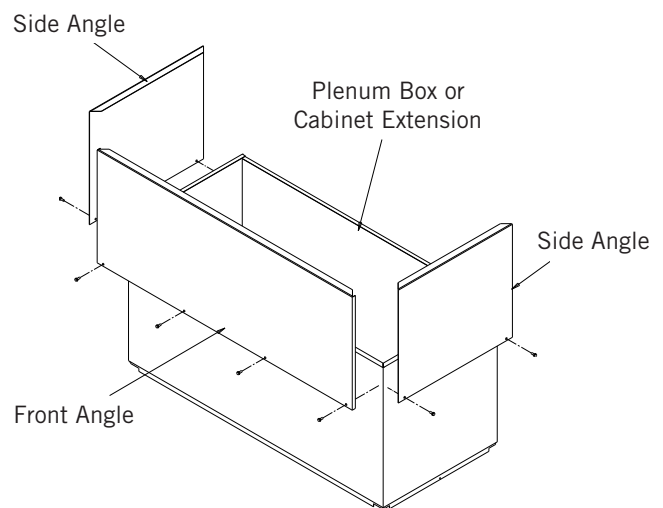
### Installation

After the plenum box or cabinet extension has been properly attached to the Q-TEC™ unit, place side angles against the side of the cabinet extension or plenum and slide it up to the ceiling. Make sure the angles are centered side to side. Mark the holes to be drilled. Drill a 1/8" diameter hole in the center of each mark. Reposition the angles and attach with screws provided.

Place the front angle against the front of the cabinet extension or plenum box and slide it up to the ceiling. Make sure the angle is centered side to side. Mark the holes to be drilled. Drill a 1/8" diameter hole in the center of each mark. Reposition the angle and attach with the screws provided.

Some trimming to fit around grille opening may be required. Grille flanges cover trimmed area.

FIGURE 1



MIS 1376



Bard Manufacturing Company, Inc.  
Bryan, Ohio 43506  
www.bardhvac.com

Manual: 7960-873A  
Supersedes: 7960-873  
Date: 11-10-20