
SUPPLEMENTAL INSTRUCTIONS

MEGA-TEC® Wall-Mount Air Conditioner Economizer Hood

These instructions cover the assembly and installation of two (2) economizer air intake hoods on MEGA-TEC wall-mount units.

Economizer hood kit consists of:

- Left side panel assembly (2)
- Top panel (2)
- Right side panel assembly (2)
- Bottom panel assembly (2)
- Mist eliminator filter (2)
- Grille (2)
- Parts bag containing 50 screws
- 7960-814 instructions

Tools needed for installation:

- 5/16" Drill Driver
- Gloves

CAUTION

Cut hazard.

Wear gloves to avoid contact with sharp edges.

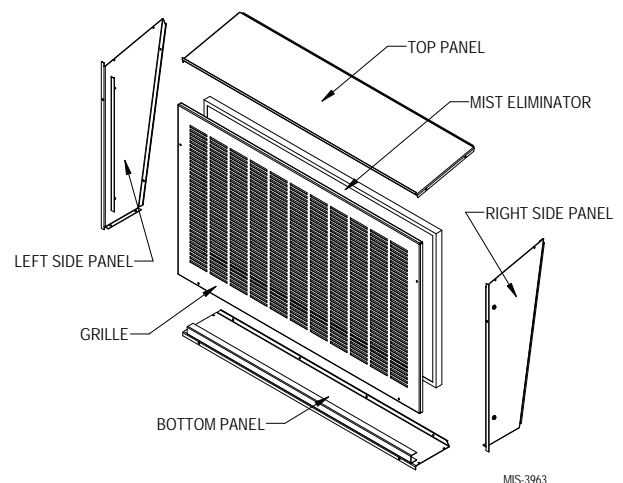
Failure to do so could result in personal injury.

INSTALLATION

NOTE: Mount hoods after wall-mount unit has been installed so as to not block access to unit flange holes.

1. Remove all parts from box and lay them out.
2. Identify left side, right side, top and bottom (see Figure 1).
3. Assemble these four parts together using eight (8) screws. Repeat for second economizer hood.
4. Lift economizer hood assembly up to opening on one side of the wall-mount unit. Secure to unit side using twelve (12) screws in the existing holes (see Figure 2 on page 2).
5. Repeat Step 4 to attach second economizer hood assembly to other side of unit.

FIGURE 1



MIS-3963



Climate Control Solutions

Bard Manufacturing Company, Inc.
Bryan, Ohio 43506
www.bardhvac.com

Manual: 7960-814A
Supersedes: 7960-814
Date: 2-3-21

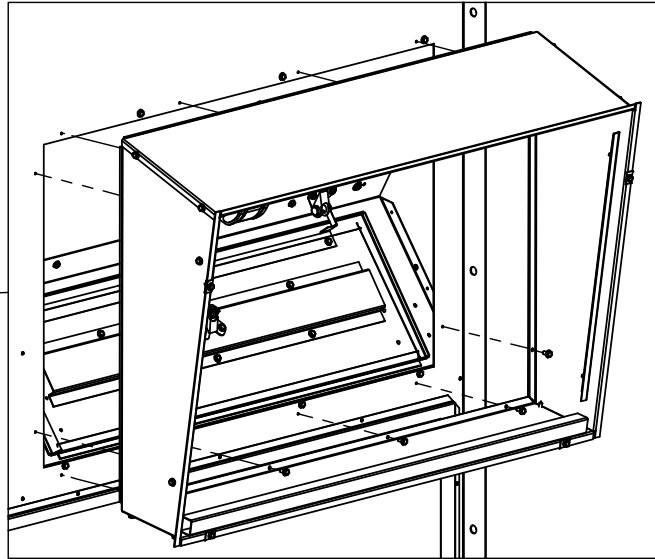
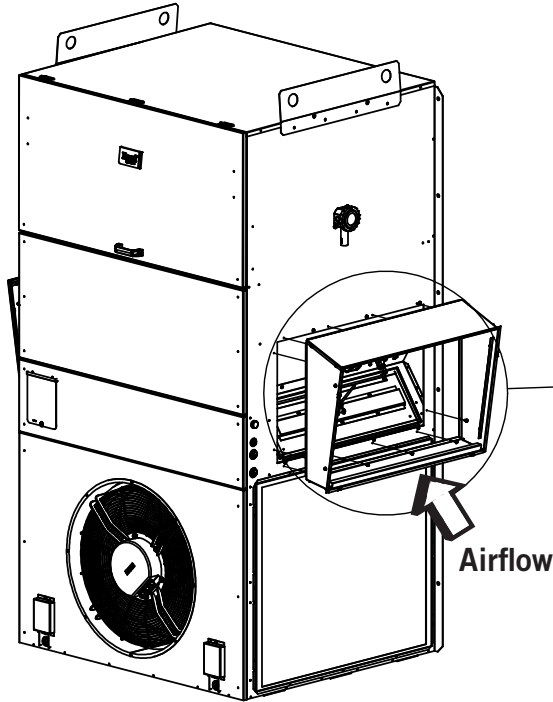
6. Place two mist eliminator filters into the hoods. Airflow directional arrow on side of mist eliminator filter should point towards unit.

7. Hook grilles onto front top edge of hoods then pull down into position. Secure each grille using four (4) screws.

8. Review test procedures in the provided unit manual and verify damper operation.

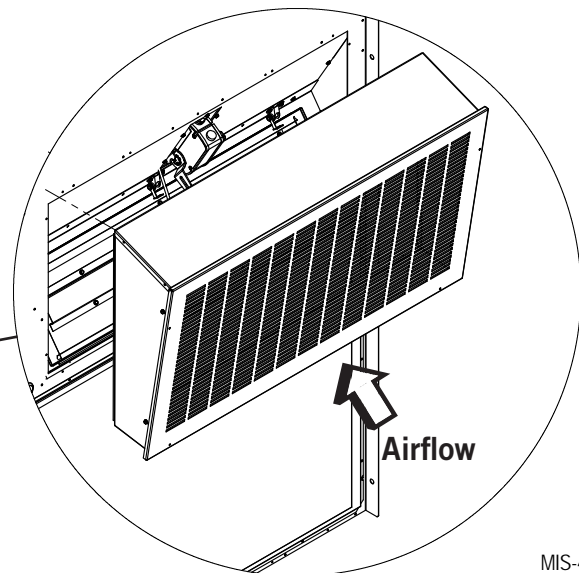
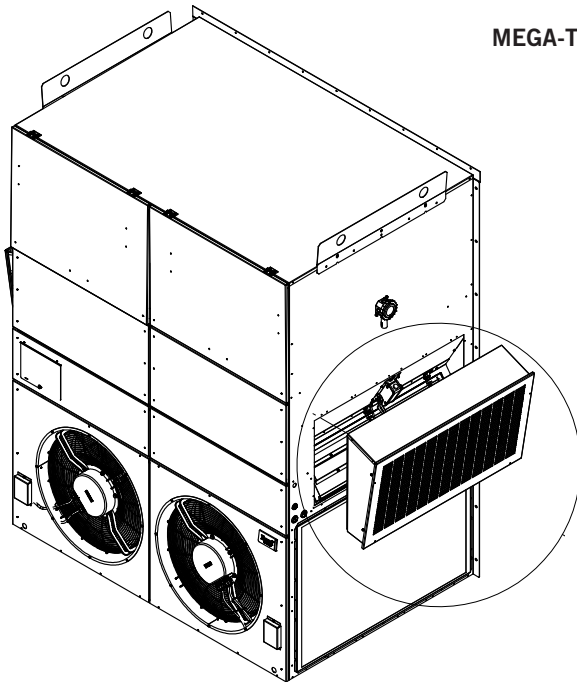
FIGURE 2

MEGA-TEC W090, W120 and W150 Models



MIS-3968

MEGA-TEC W180 Models



MIS-4243