
SUPPLEMENTAL INSTRUCTIONS

Barometric Fresh Air Damper (With or Without Exhaust)

Models:

No Exhaust: FAD-NE2 (2 Ton)
FAD-NE3 (3 Ton)

Barometric Exhaust: FAD-BE2 (2 Ton)
FAD-BE3 (3 Ton)

CONTENTS

Nomenclature	2
Description	2
Application	2
Installation	6

TOOLS REQUIRED

- Voltage Detector (to verify power status)
- 5/16" Nut/Drill Driver
- 5/16" Socket/Ratchet/Extension

FIGURES

Figure 1	Remove Unit Access Panels	6
Figure 2	Remove Exhaust Cover Plate.....	6
Figure 3	Set Isolation Plate	7
Figure 4	Mount Fresh Air Damper	8
Figure 5	Position Exhaust Box	9
Figure 6	Fabricate/Install Sheet Metal Piece	10

GRAPHS

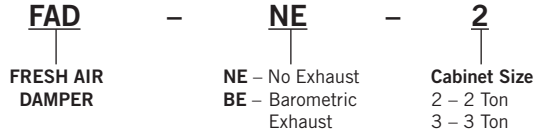
Graph 1	W18A/LB FAD-BE2 W/Exhaust Ventilation Delivery	2
Graph 2	W18A/LB FAD-NE2 W/O Exhaust Ventilation Delivery	2
Graph 3	W24A/LB FAD-BE2 W/Exhaust Ventilation Delivery	3
Graph 4	W24A/LB BFAD-NE2 W/O Exhaust Ventilation Delivery	3
Graph 5	W30A/LB BFAD-BE3 W/Exhaust Ventilation Delivery	4
Graph 6	W30A/LB BFAD-NE3 W/O Exhaust Ventilation Delivery	4
Graph 7	W36A/LB BFAD-BE3 W/Exhaust Ventilation Delivery	5
Graph 8	W36A/LB BFAD-NE3 W/O Exhaust Ventilation Delivery	5



Bard Manufacturing Company, Inc.
Bryan, Ohio 43506
www.bardhvac.com

Manual: 7960-809A
Supersedes: 7960-809
Date: 6-12-19

BAROMETRIC FRESH AIR DAMPER MODEL NOMENCLATURE



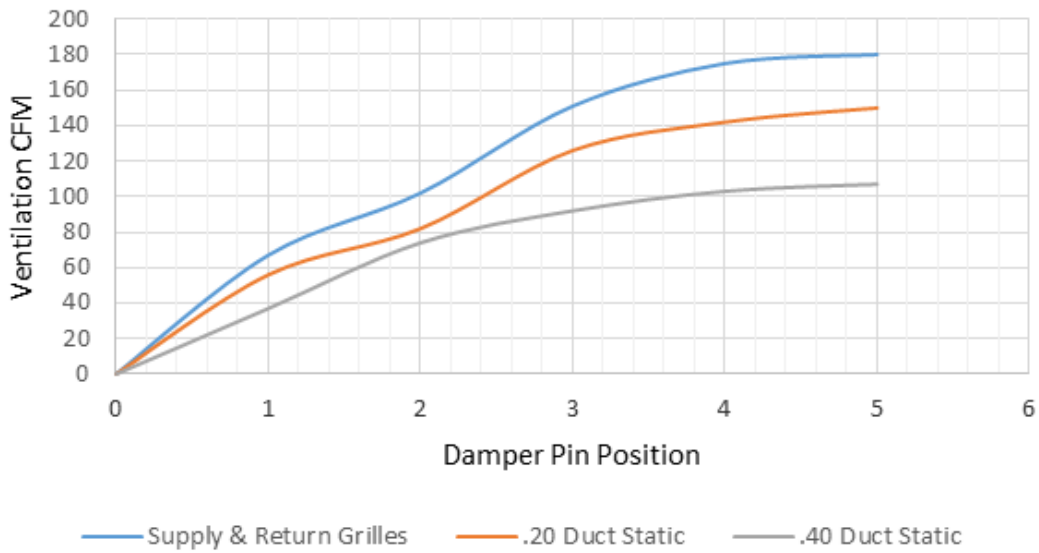
DESCRIPTION

Barometric air dampers FAD-NE2 and FAD-NE3 are internally mounted dampers. The damper blade is barometrically operated. FAD-BE2 and FAD-BE3 include a barometric exhaust. All are designed to bring in up to 25% fresh air.

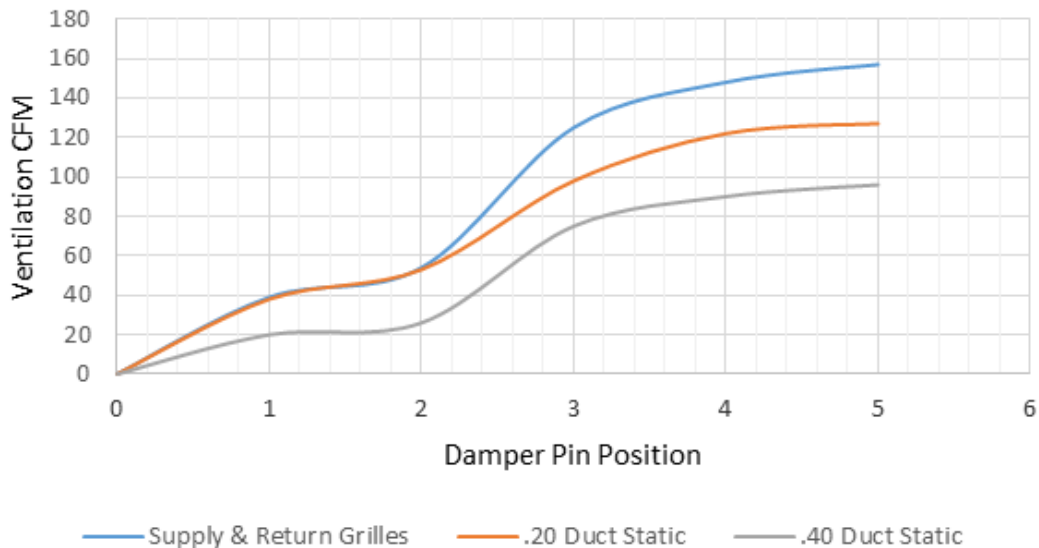
APPLICATION

The amount of outside fresh air brought into the structure is dependent on the blade stop pin location and atmospheric pressure in the conditioned space. Refer to deviation Graphs 1-8 for ventilation air CFM per blade pin setting with and without exhaust.

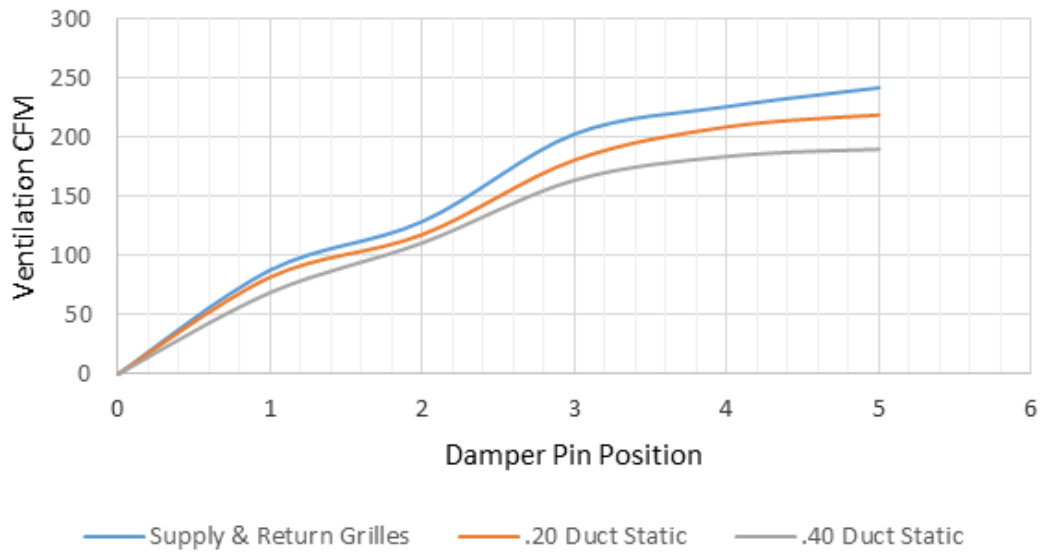
GRAPH 1
W18AB FAD-BE2 W/Exhaust Ventilation Delivery



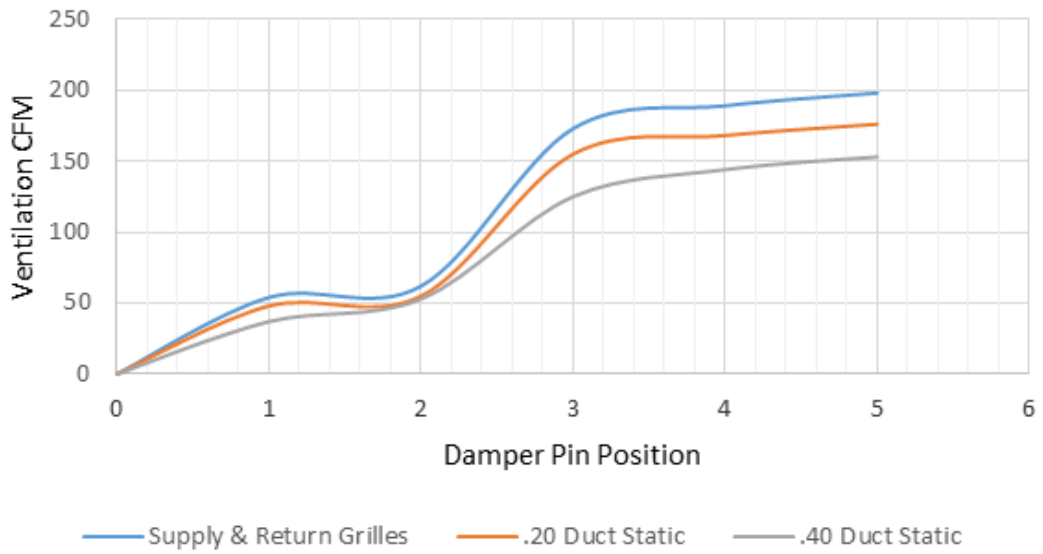
GRAPH 2
W18AB FAD-NE2 W/O Exhaust Ventilation Delivery



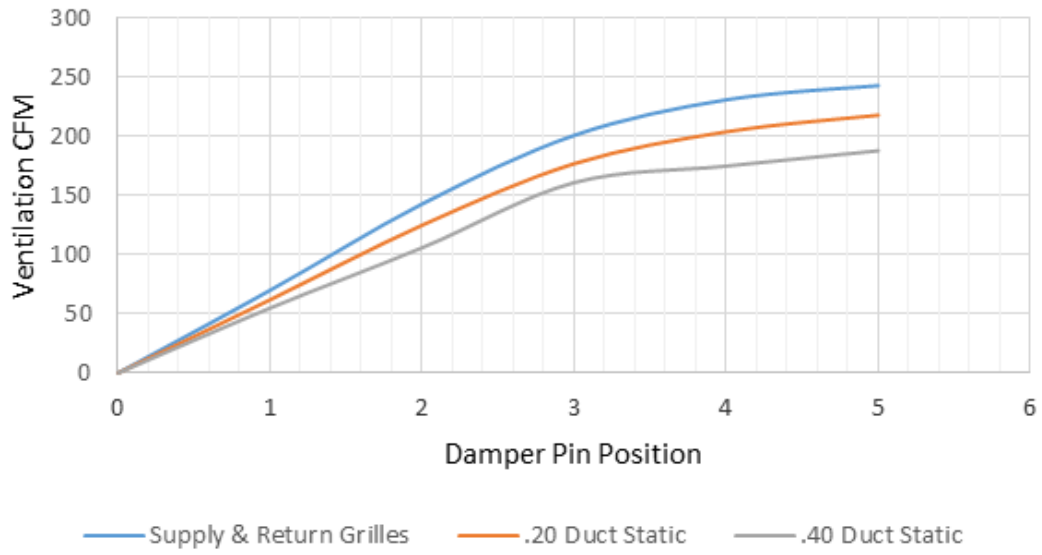
GRAPH 3
W24AB FAD-BE2 W/Exhaust Ventilation Delivery



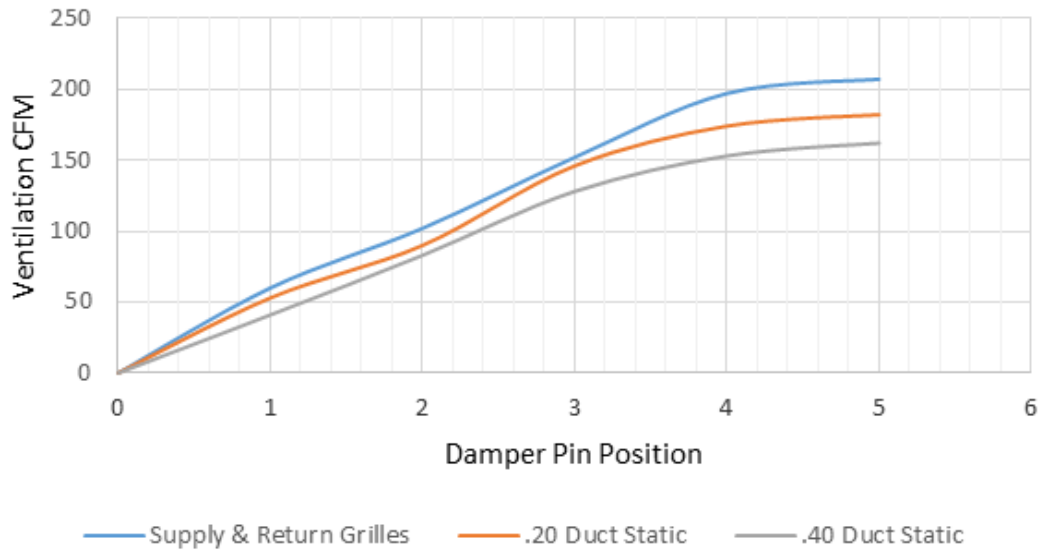
GRAPH 4
W24AB FAD-NE2 W/O Exhaust Ventilation Delivery



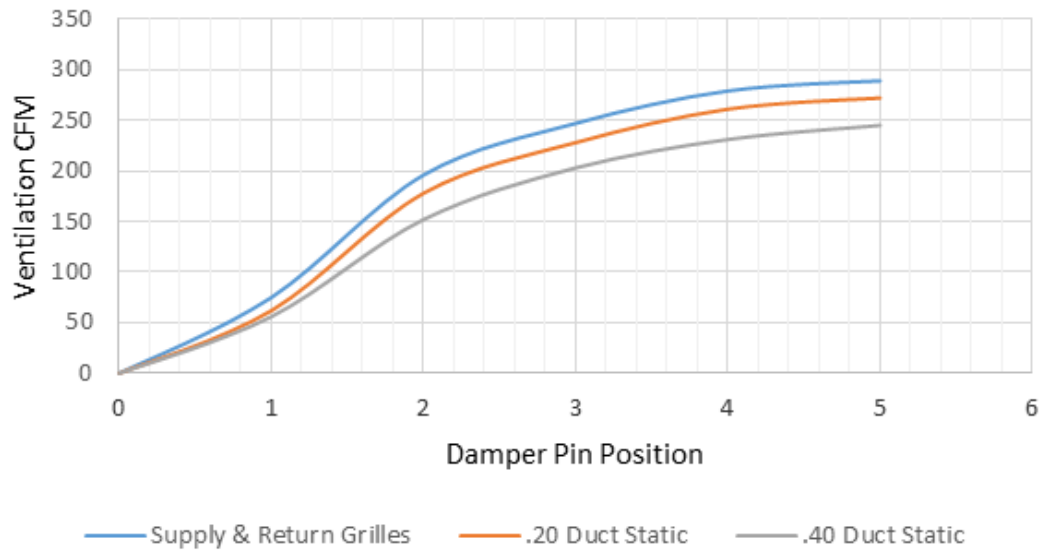
GRAPH 5
W30AB FAD-BE3 W/Exhaust Ventilation Delivery



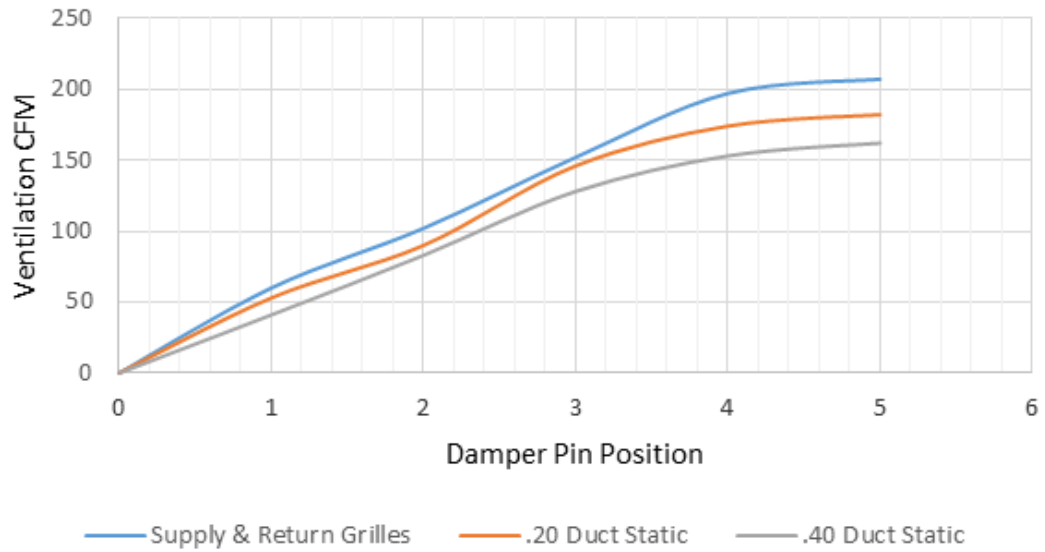
GRAPH 6
W30AB FAD-NE3 W/O Exhaust Ventilation Delivery



GRAPH 7
W36AB FAD-BE3 W/Exhaust Ventilation Delivery



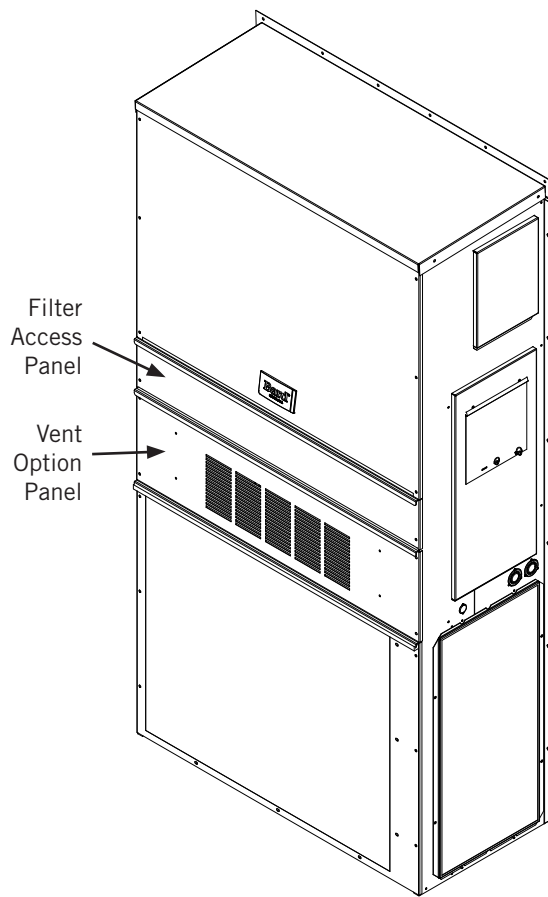
GRAPH 8
W36AB FAD-NE3 W/O Exhaust Ventilation Delivery



INSTALLATION

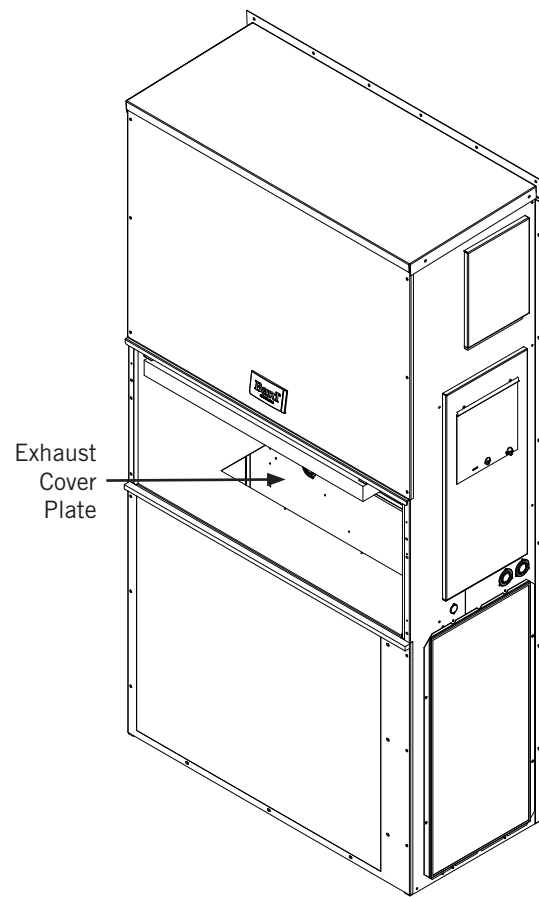
1. Remove filter access panel, and then vent option panel (see Figure 1).
2. Remove blank off plate from vent option panel (save screws). If the exhaust option is being installed, remove the exhaust cover plate from the top of the condenser partition and install cover plate with screen (see Figure 2).
3. Verify if the unit has a 1" or 2" filter and set the isolation plate accordingly. Adjust blade stop pins for required fresh air CFM (see Figure 3).
4. Mount the FAD to the inside of the vent option panel using the same screws that held the blank off plate (see Figure 4 on page 8).
5. If exhaust is used, position the exhaust box over the exhaust hole in the condenser partition with the damper blade facing the return opening (see Figure 5 on page 9) and secure with the screws from the blank off plate. Re-install vent option panel and filter access panel. **NOTE:** This may require the use of a socket/ratchet/extension to drive the screws.
6. Once the unit is installed on the structure, fabricate a piece of 26 gauge sheet metal that is the width of the return flanges that will fasten to the top of the exhaust box (see Figure 6 on page 10). Add two 1/2" bends up. The sheet metal must be 1/8" from the return grille when installed. Fasten to the inside of the return sleeve (if applicable) with two self-drilling screws.

FIGURE 1
Remove Unit Access Panels



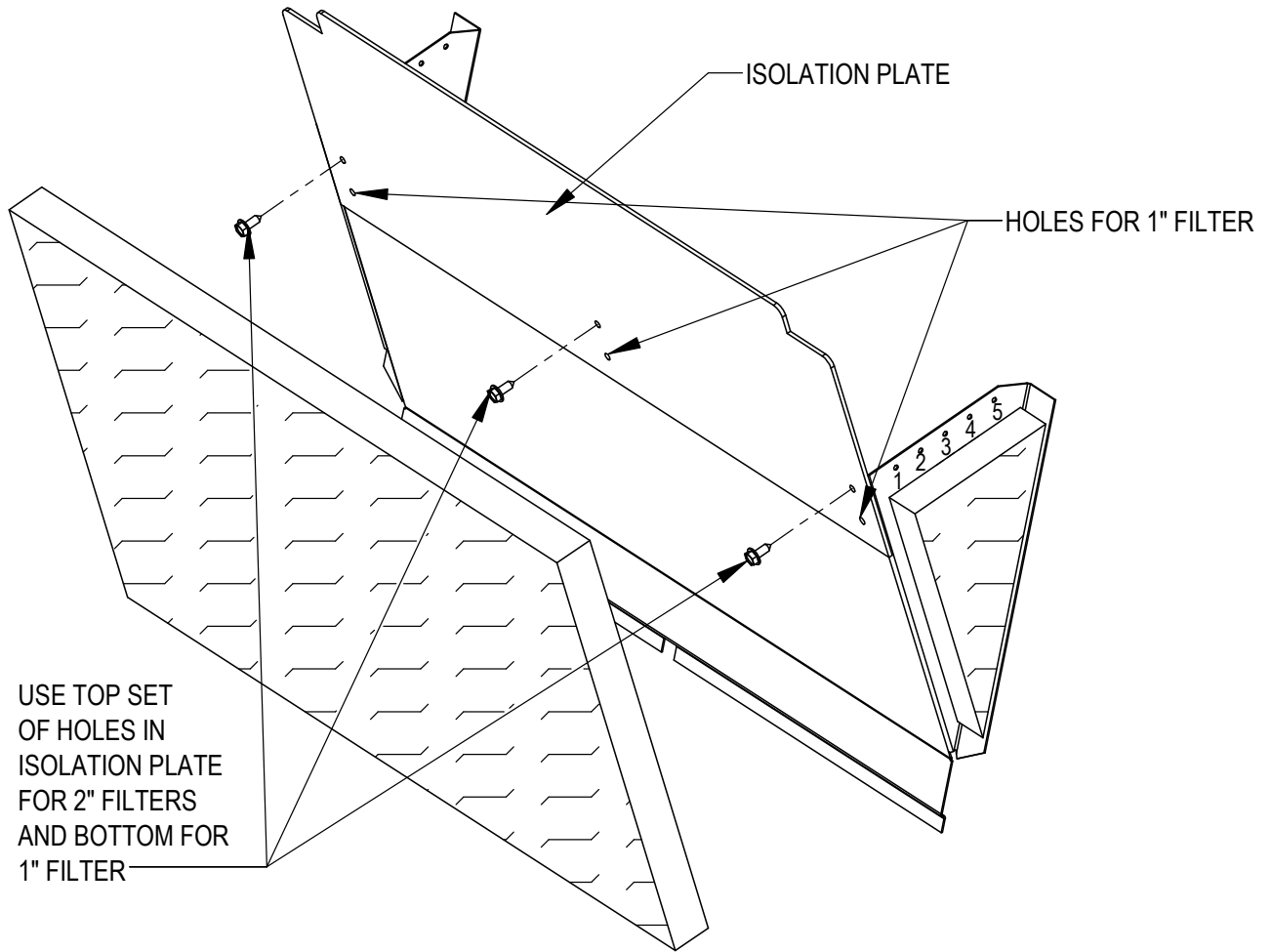
MIS-4011

FIGURE 2
Remove Exhaust Cover Plate



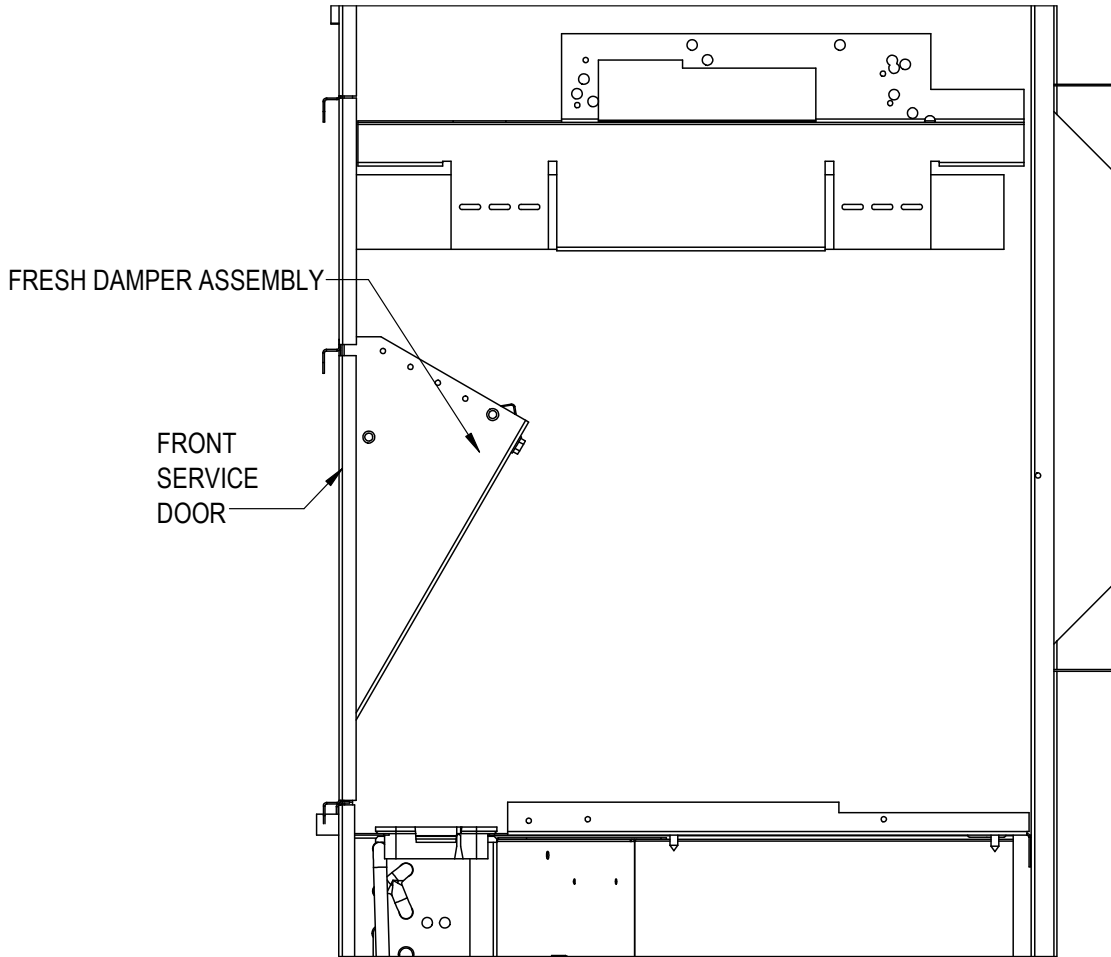
MIS-4012

FIGURE 3
Set Isolation Plate



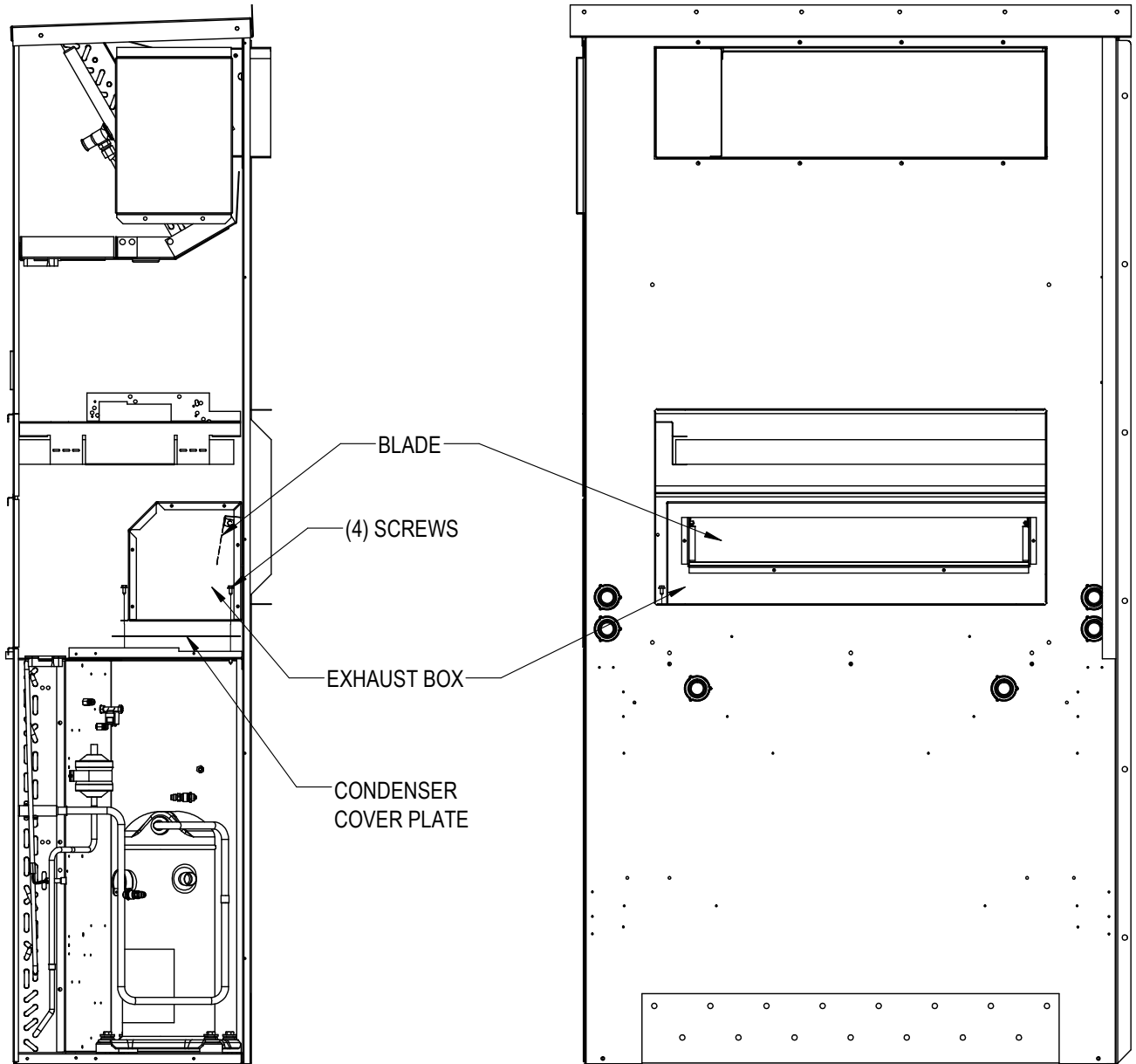
MIS-4008

FIGURE 4
Mount Fresh Air Damper



MIS-4014

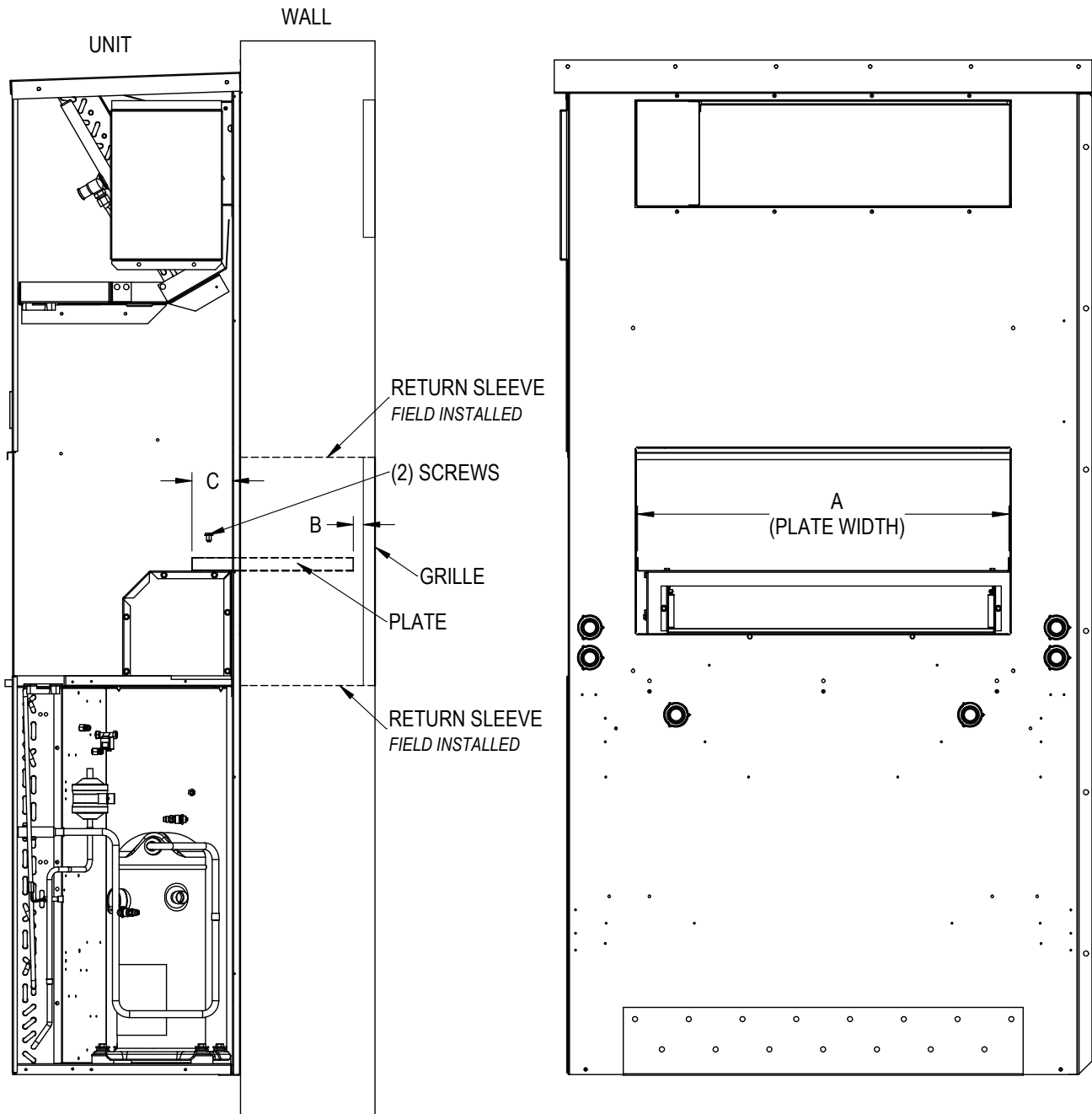
FIGURE 5
Position Exhaust Box



MIS-4013

FIGURE 6
Fabricate and Install Sheet Metal Piece

UNIT	A	B	C
W18-W24	19 5/8"	1/8"	3"
W30-W36	27 5/8"	1/8"	3"



MIS-4015