
SUPPLEMENTAL INSTRUCTIONS

REWC5-* Wall Curb

INSTALLATION

WARNING

***For use on noncombustible walls only.
Do not install on combustible walls.
Installation on combustible walls can result in fire.***

Hardware Included	
Qty.	Description
10	1" Bolts
48	Screws
20	Washers
10	Lock Nuts

1. Assemble wall curb per Figure 1 on page 2.
2. Attach curb to wall first. The back flanges for attaching to the building wall are formed so they will line up with the mounting pattern of original 5-ton Bard units, and so that the weight will bear on the wall's original structural design. Fasteners for attaching the curb to the wall are not included in the kit. Use fasteners sufficient for the application such as 5/16" lag/anchor bolts; use 7/8" diameter flat washers on the lag bolts.

When installation requirements are such that the original mounting holes on the wall cannot be used, or the unit(s) must be shifted left or right for some reason, they should be kept as centered as reasonably possible over the supply and return air openings in the wall. See Figure 2 on page 3. Caulk the flanges of the wall curb where they meet the structure.

3. Remove supply flanges from unit back prior to installing unit to curb. See Figure 3 on page 4.
4. Lift unit into position and support while the supplied bolts, washers and nuts are installed fastening the unit to the curb. See Figure 4 on page 5. (Skid may remain attached to unit while securing unit to curb for improved stability. Remove skid after unit has been fastened to curb.)
5. Caulk the top of the unit where it meets the wall curb as shown in Figure 5 on page 6.
6. Existing supply and return grilles should be discarded and replaced with RGR-5W and SGR-5W. See page 7 for instructions on preparing the SGR-5W supply air grille for installation.

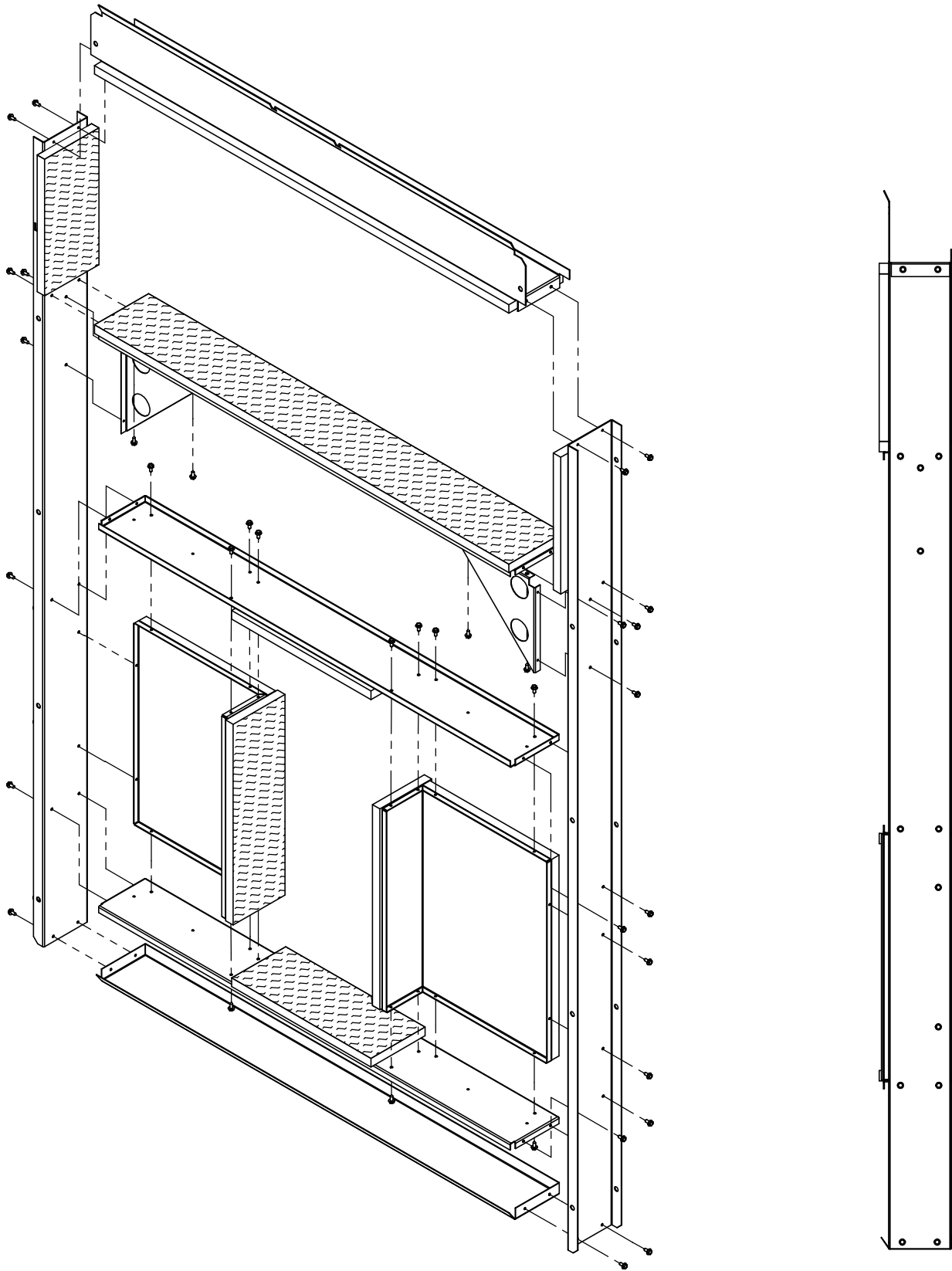


Climate Control Solutions

Bard Manufacturing Company, Inc.
Bryan, Ohio 43506
www.bardhvac.com

Manual: 7960-797A
Supersedes: 7960-797
Date: 11-9-17

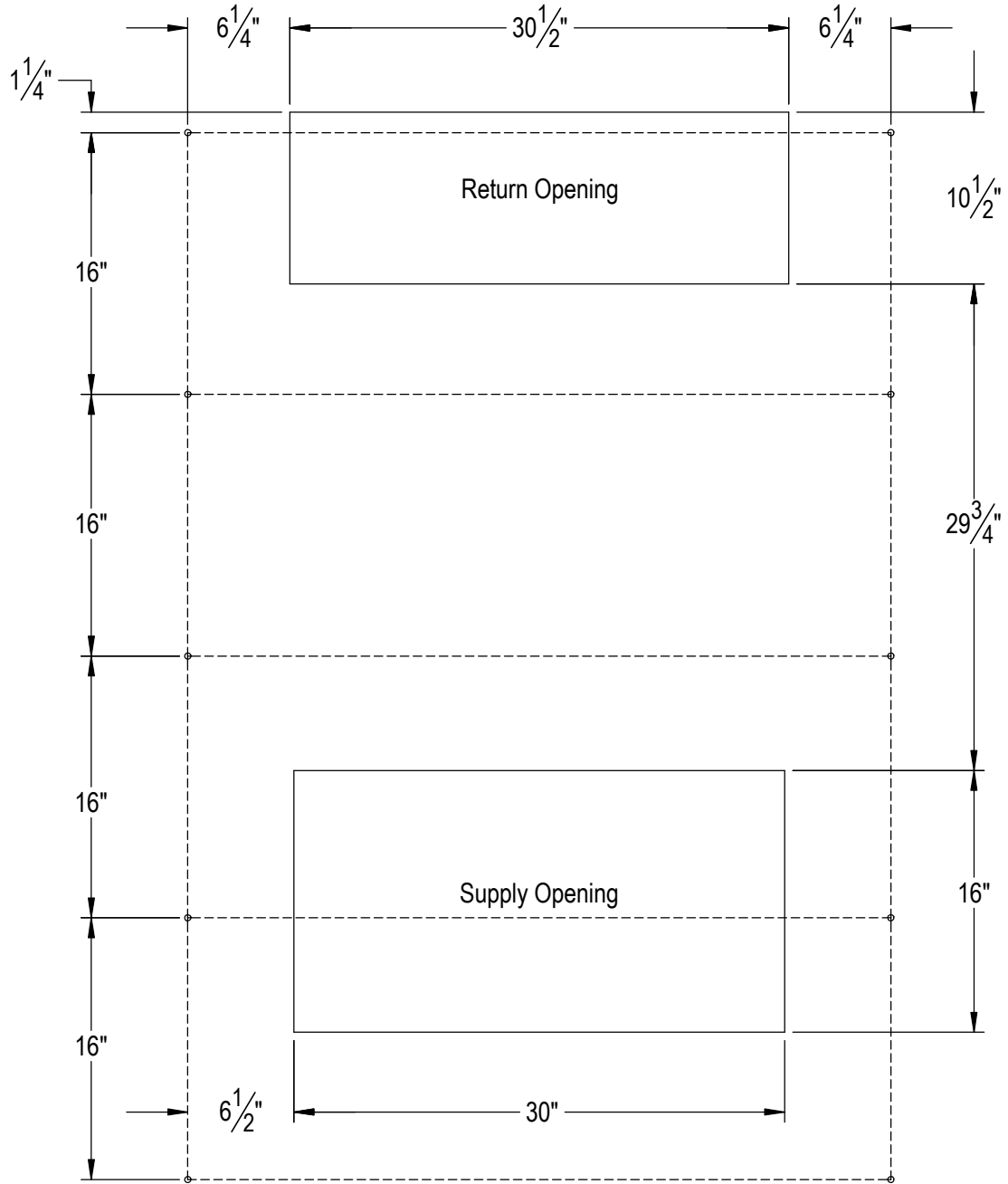
FIGURE 1



MIS-3907A

FIGURE 2

EXISTING OPENINGS REFERENCE
FOR SECURING CURB TO WALL



MIS-3909

FIGURE 3

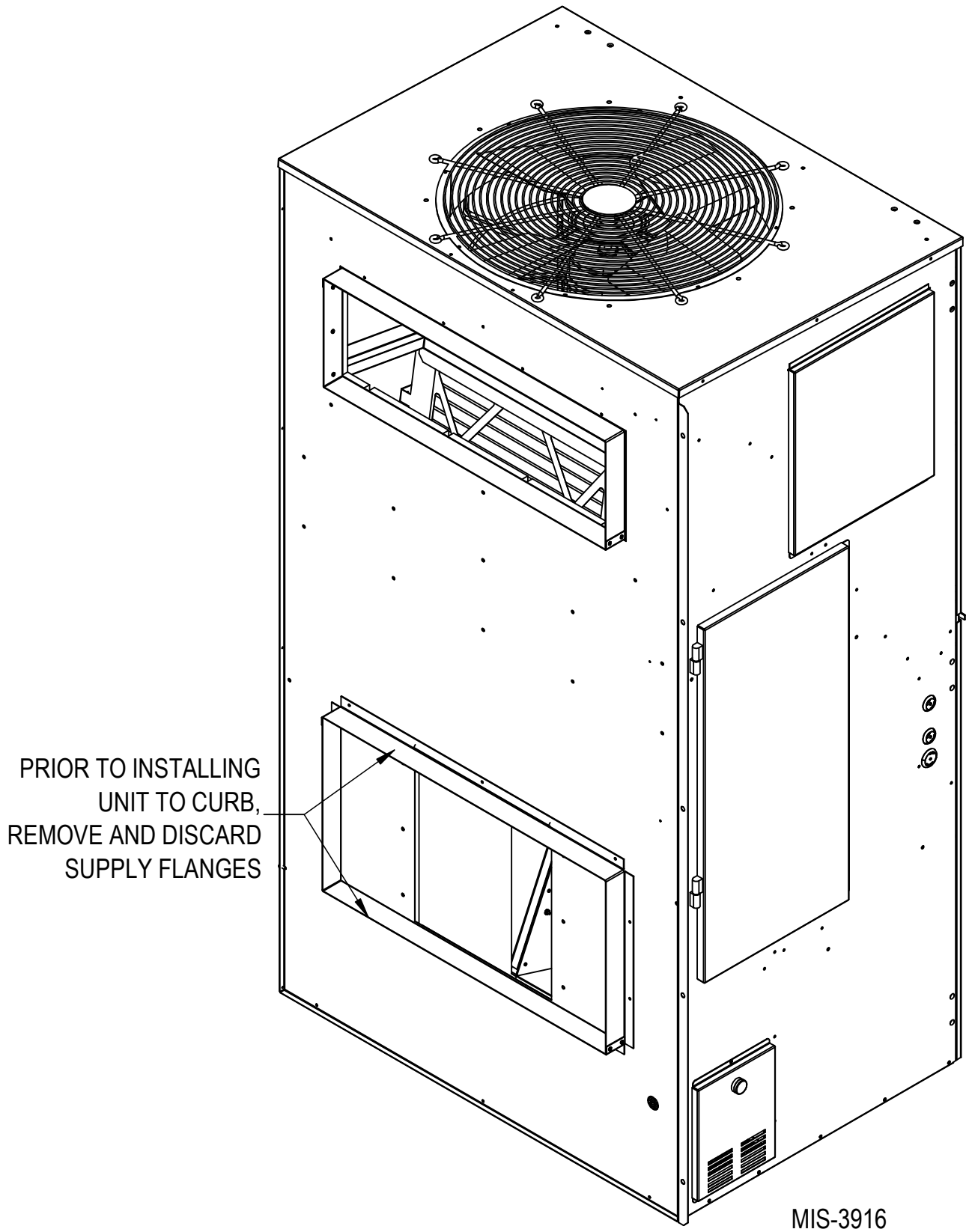


FIGURE 4

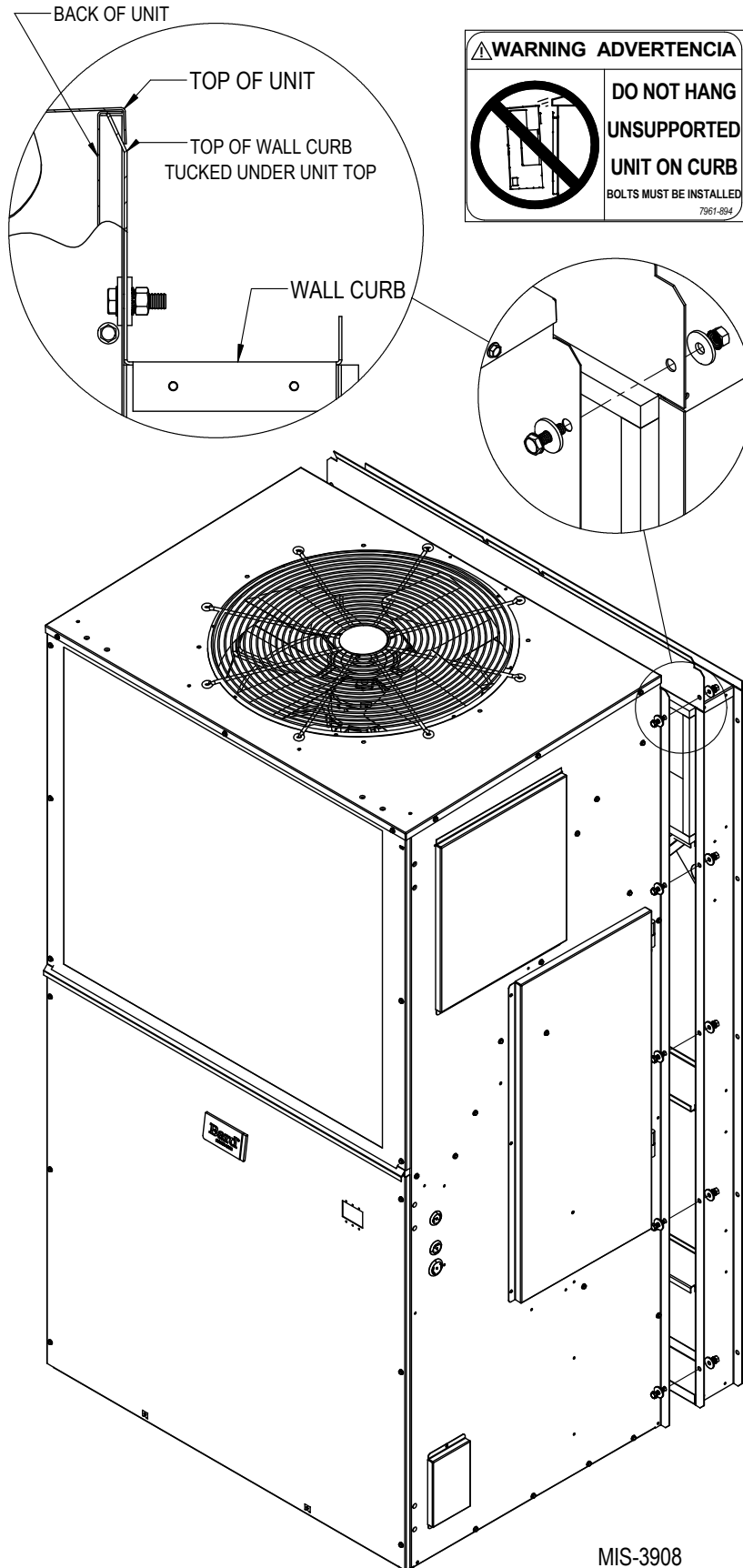
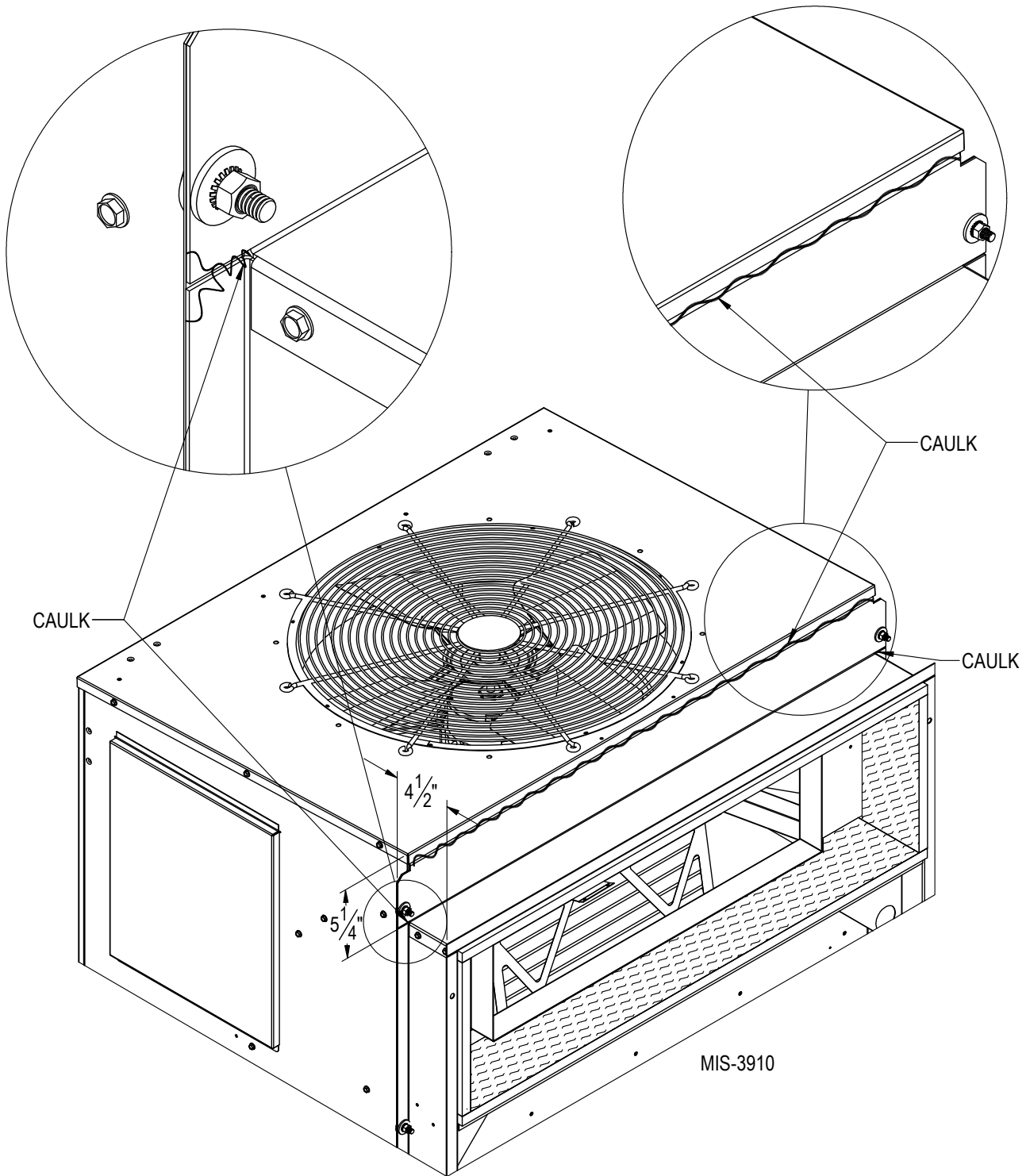


FIGURE 5



Supply Air Grill Installation

Bard model SGR-5W grille is custom designed for utilization with Bard wall-mount unit HR**AP* for optimizing the air flow pattern and distribution to minimize recirculation issues, and optimizing airflow patterns within the shelter. It is engineered to ensure that the distributed air is forced in a downward and outward direction to eliminate obstructions and such from causing the distributed air from stratifying close to the unit and getting drawn back into the return air opening. With the optimized air pattern, the shelter should experience distributed air at the opposite end of the room.

To accomplish this, the grille has two special features:

1. The grille has a specialty fold-out diverter on the backside of the grille that directs the supply airflow in an outward pattern, thereby eliminating the potential for the obstruction of supply air if

FIGURE 5



Rear deflector as shipped



Rear deflector raised and secured together

equipment would be directly mounted in front of the unit. The rear deflectors must be folded out and secured by the installer with the supplied screws (see Figure 5).

2. The grille is also equipped with downward curved diverter blades to ensure a smooth and efficient means of directing the air pattern in a downward pattern, and away from being drawn back into the return air opening. The curved diverter blades are shipped in the flat position and need to be folded out to between 75-90° (best tuned to each individual structure). See Figures 6 and 7.

FIGURE 6



Diverter blades as shipped (left), and after raising (right)

FIGURE 7
View of Installed Grille (as seen from above)

