

INSTALLATION INSTRUCTIONS

I-TEC® Drain Installation

Installation

The unit is shipped from the factory with the drain header disconnected from the unit. This is done to allow for the installer to connect the drain header so that water drains towards the wall drain. The drain header assembly comes assembled with a longer hose on the side that should be installed towards the wall drain (if the room has drains installed).

There are four condensate drain connections from the condenser drain pan (compressor area). These are visible from the rear of the unit. The drain header assembly is field installed and can be found attached to the back of the vent section (see Figure 1). The drain header assembly is to be removed from the vent section and connected to the four drain outlets from the unit (see Figure 2). The required hose clamps for the four connections are zip tied to the header assembly.

The drain can be routed directly through the floor or through the wall. There are also two optional drain locations in the lower rear back panel.

The I-TEC® design does not require a trap in the condensate disposal tubing. Check local codes to see if a "P" trap is required.

For a stand pipe floor drain or through the wall, there is adequate hose length to reach anything located behind the unit. The lower rear portion of the cabinet is recessed approximately 4" allowing room for a "P" trap, if required, to be installed with the cabinet flush with the wall. Keep in mind, the drain line must be able to be removed from the unit if necessary to remove the unit from the wall.

If the drain line is to be routed through an unconditioned space, it must be protected from freezing.

The condensate drain line can also be routed back into the unit through either right-hand or left-hand optional drain locations on the rear of the unit. The holes are covered by insulation on the inside of the unit and will have to be cut away. Located inside the unit, about 12" in from the front on the left and right sides, are drain holes in the bottom of the base. These holes are covered with insulation and are not visible. They are located very close to the side panels and can be found by pressing down on the insulation. Cut insulation away to expose the hole. A drain trap, if required, can now be installed inside of the cabinet, and the drain hose routed directly through the floor.

FIGURE 1

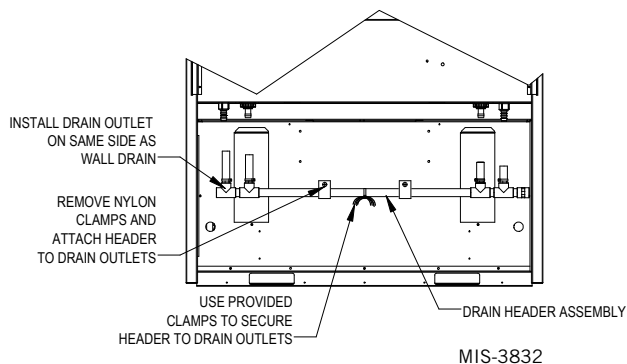
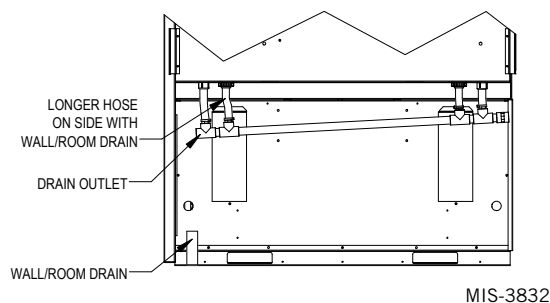


FIGURE 2



Bard Manufacturing Company, Inc.
Bryan, Ohio 43506
www.bardhvac.com

Manual: 7960-767
Supersedes: **NEW**
Date: 3-3-16