

SUPPLEMENTAL INSTRUCTIONS

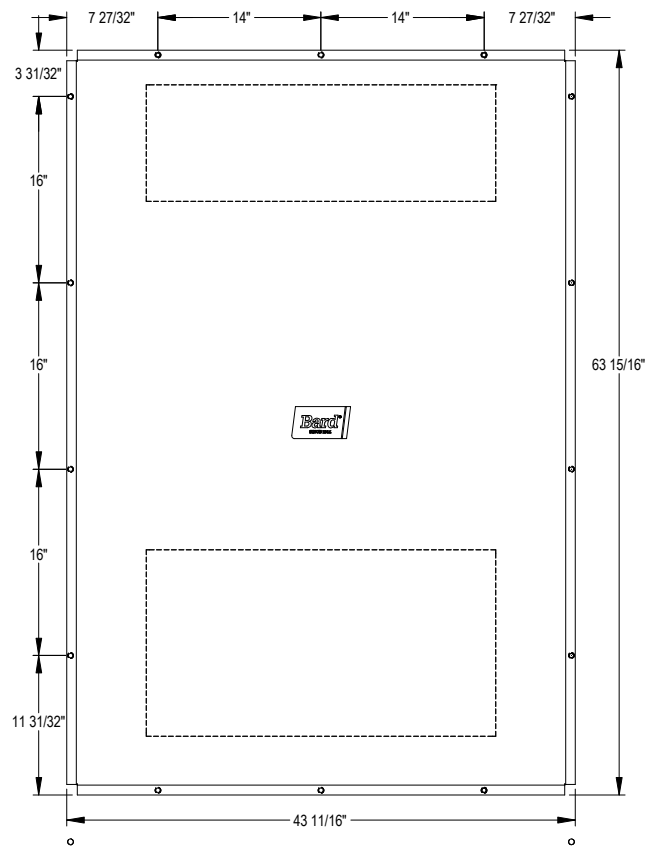
WCP5-* Supply and Return Cover Plate

The WCP5 Supply and Return Cover Plate is designed to be used as a cover plate to seal openings cut in the wall surface until the Bard wall-mount unit is installed. Constructed of 20 gauge prepaint metal and insulated, the WCP5 will offer protection from outside weather and is easily removed for product installation.

Install as shown in Figure 2 on page 2.

Model Number	Color
WCP5-X	Beige
WCP5-1	White
WCP5-4	Gray

Figure 1



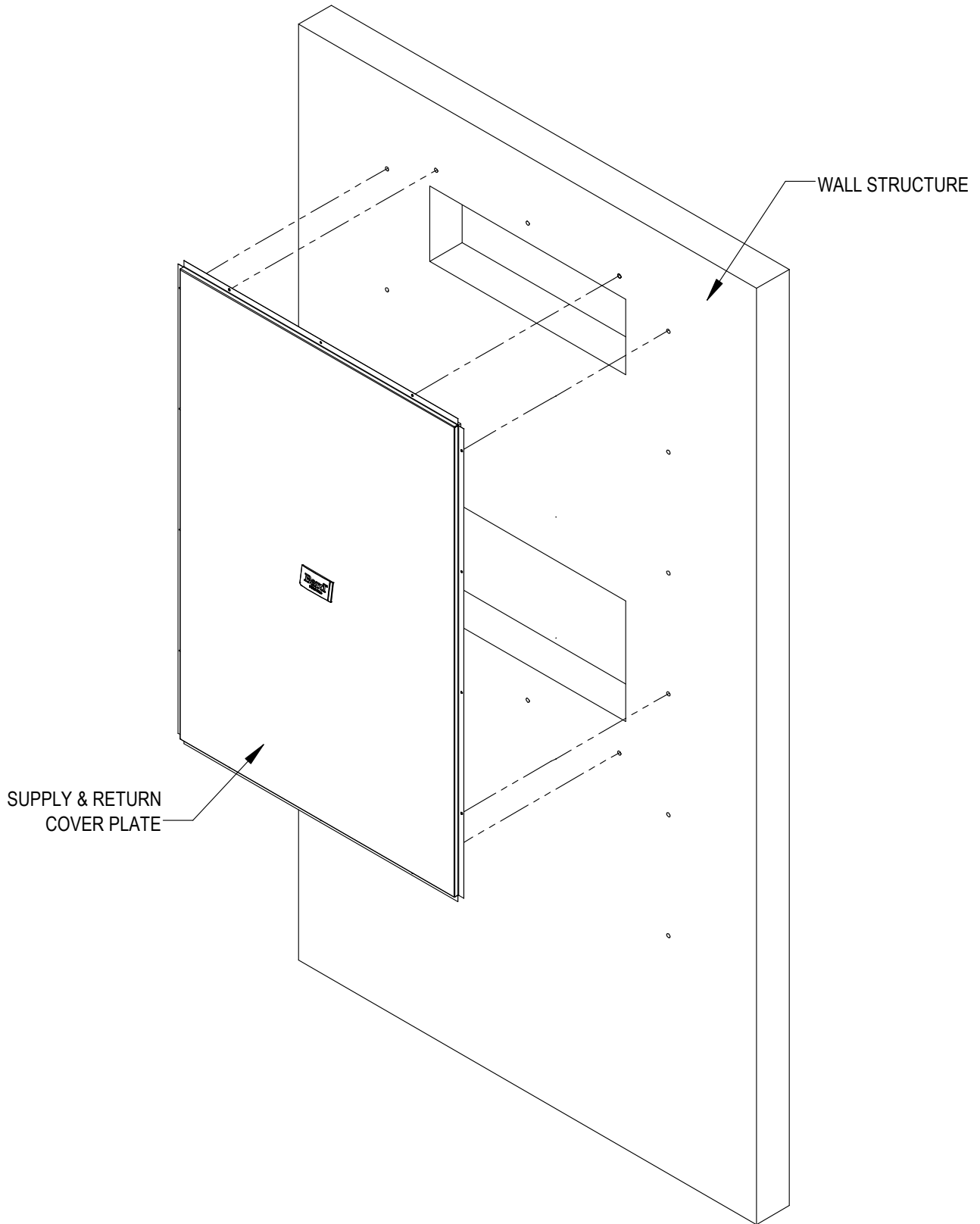
MIS-3837



Bard Manufacturing Company, Inc.
Bryan, Ohio 43506
www.bardhvac.com

Manual: 7960-756
Supersedes: **NEW**
Date: 4-25-16

Figure 2



MIS-3798