
SUPPLEMENTAL INSTRUCTIONS

I-TEC® Side Trim Extension Kit: IST4-X, -1, -4 IST6-X, -1, -4 IST10-X, -1, -4

MODEL FEATURES

The IST4, IST6 and IST10 Side Trim Extension Kits are designed for use with IH Series heat pumps. By using this kit, the installer will be able to fill a 4" minimum to 4-3/8" maximum gap between the back of the IH heat pump to the front of the mounting wall surface in a room with a maximum ceiling height of 12'.

DESCRIPTION

The following 4" side trim kit models are available:

- IST4-X (Beige)
- IST4-1 (White)
- IST4-4 (Buckeye Gray)

The following 6" side trim kit models are available:

- IST6-X (Beige)
- IST6-1 (White)
- IST6-4 (Buckeye Gray)

The following 10" side trim kit models are available:

- IST10-X (Beige)
- IST10-1 (White)
- IST10-4 (Buckeye Gray)

Tools Needed

The following tools will be required for installation of the trim kit:

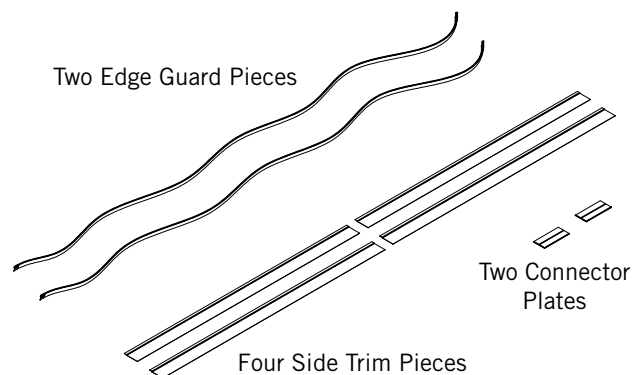
- Sheet metal cutting tool such as tin snips, aviation snips, metal nibbler or electric shears (recommended)
- Tape measure
- Alcohol pad or non-residue cleaner and cleaning cloth

Contents of Kit

Before starting, unwrap packaging and verify the following contents (see Figure 1):

- Four (4) 72" side trim pieces with adhesive tape
- Two (2) 144" black rubber edge guard with wiper
- Two (2) 1-1/2" x 3-3/8" connector plate with adhesive tape

Figure 1



MIS-3181



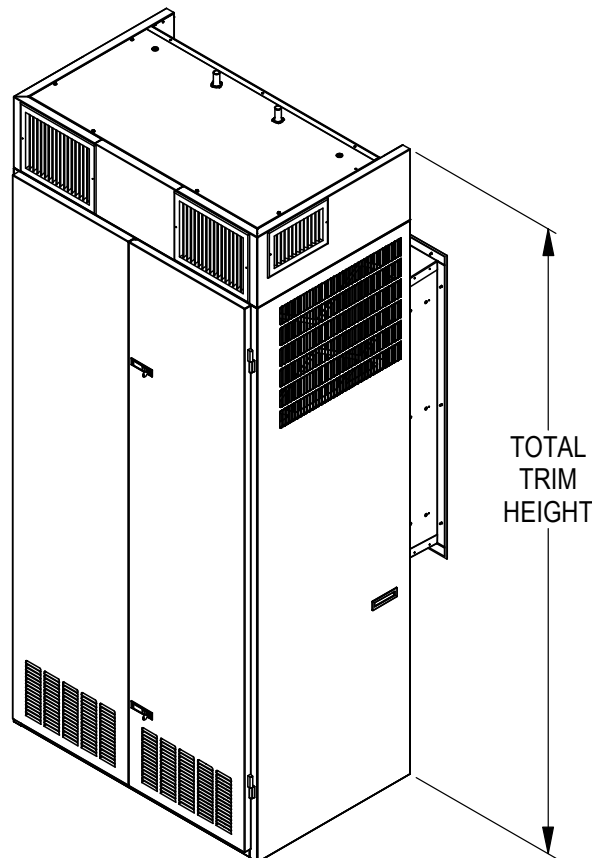
Bard Manufacturing Company, Inc.
Bryan, Ohio 43506
www.bardhvac.com

Manual: 7960-678E
Supersedes: 7960-678D
Date: 5-7-18

INSTALLATION

1. First measure the distance between the back of unit side and the wall. If this distance is less than 3-3/4", the width of the side trim pieces will need adjusted appropriately. The minimum gap distance the trim kit can be used for is 5/8".
2. Measure height of area requiring trim piece (see Figure 2). If this measurement is a distance from floor to ceiling, reduce total height by 1/8" for clearance installation purposes when installing trim piece. Record total trim height measurement for future use in process.
3. Place two (2) 72" side trim pieces paint textured side down on large flat work area and clean primer metal surface with rubbing alcohol pad or non-residue cleaner. This will help adhesive tape bond to metal surface.
4. Align trim pieces together so ends are flush with both sides parallel (see Figure 3). Remove adhesive tape from back of connector plate. Apply connector plate to cleaned, primed surface while ensuring trim piece ends are flush. Apply adequate pressure to area to form bond.
5. Measure and mark total trim height measurement on primer side of piece. Using sheet metal cutting tool, remove excess metal trim from one end.
6. Cut black rubber edge guard piece to total trim height measurement. Apply edge guard to trim assembly on "non-offset" side of part with rubber wiper facing down while trim piece is resting on the work surface painted textured side down.
7. Prepare I-TEC® Series unit back corner by cleaning surface with alcohol pad or non-residue cleaner and cleaning cloth.
8. Take completed side trim assembly to unit installation and remove adhesive backing. Attach trim assembly flush with unit back corner using edge of offset as a guide (see Figure 4). Apply adequate pressure to form bond between trim assembly and unit side.
9. Repeat process for side trim assembly and installation on opposite rear corner of I-TEC® Series unit.

Figure 2



MIS-3181

Figure 3

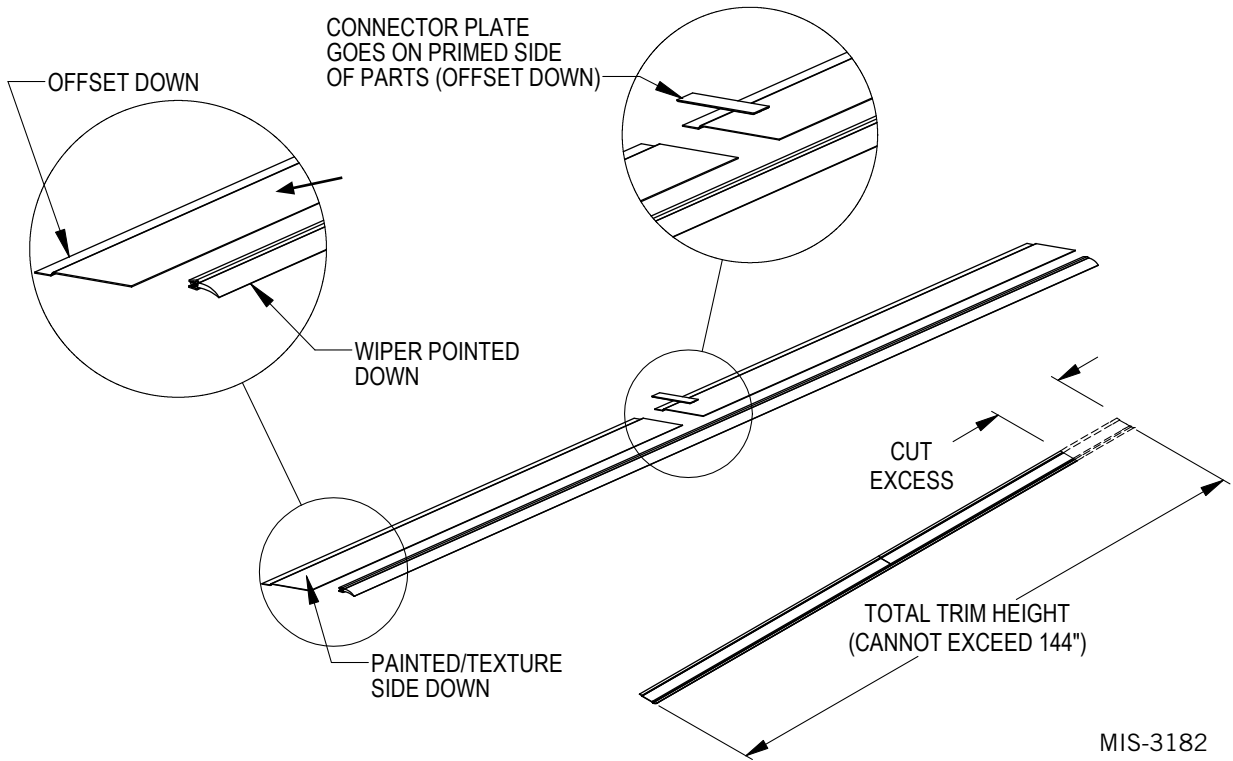


Figure 4

