



Climate Control Solutions

Bard Manufacturing Company, Inc.
Bryan, Ohio 43506

INSTALLATION INSTRUCTIONS FOR WGBFAD-3 and WGBFAD-5

BAROMETRIC FRESH AIR DAMPER

Manufactured under
U.S. patent number 5,485,878

DESCRIPTION

The Barometric Fresh Air Damper, WGBFAD, is an internal, barometrically operated damper that can bring outside fresh air into the structure. The damper opens when the blower motor operates. Each model is equipped with blade stops to limit minimum and maximum blade positions.

APPLICATION

Since the damper is barometrically operated, the amount of fresh air supplied to the structure is dependent on the supply and return air duct static pressure present. See Table 1 for available fresh air supplied by this damper for the model installed.

For free blow applications with return air filter grille and supply air grille, use 0.0 supply air static pressure and .1 return air static pressure.

**TABLE 1
WGBFAD-5 VENTILATION AIR
FOR USE WITH W42G, W48G AND W60G MODELS**

HIGH SPEED							
Supply Air Static	Ventilation Air / Total Air (CFM)						
0.00	NA	NA	30/1900	120/1850	210/1800	340/1750	460/1700
0.20	NA	NA	40/1625	145/1560	245/1500	360/1450	475/1407
0.40	NA	NA	50/1316	160/1240	275/1150	390/1100	500/1030
Return Static	0.00	0.05	0.10	0.15	0.20	0.25	0.30
MEDIUM SPEED							
Supply Air Static	Ventilation Air / Total Air (CFM)						
0.00	NA	NA	40/1570	200/1535	365/1500	415/1500	470/1445
0.20	NA	NA	55/1350	215/1300	375/1260	435/1210	490/1160
0.40	NA	NA	90/1050	245/1000	400/945	455/830	515/720
Return Static	0.00	0.05	0.10	0.15	0.20	0.25	0.30
LOW SPEED							
Supply Air Static	Ventilation Air / Total Air (CFM)						
0.00	NA	NA	80/1185	230/1140	385/1125	440/1090	500/1060
0.20	NA	NA	90/975	245/930	395/900	460/865	530/830
0.40	NA	NA	130/690	275/630	420/570	500/550	575/530
Return Static	0.00	0.05	0.10	0.15	0.20	0.25	0.30

**TABLE 2
WGBFAD-3 VENTILATION AIR
FOR USE WITH W24G MODELS**

HIGH SPEED							
Supply Air Static	Ventilation Air / Total Air (CFM)						
0.00	220/1345	280/1330	350/1300	410/1260	490/1210	560/1150	640/1075
0.20	200/1200	260/1160	330/1130	400/1090	470/1050	540/1000	620/950
0.40	50/1030	200/1000	320/960	390/900	460/840	480/760	520/680
Return Static	0.00	0.05	0.10	0.15	0.20	0.25	0.30
MEDIUM SPEED							
Supply Air Static	Ventilation Air / Total Air (CFM)						
0.00	40/1110	260/1100	340/1085	400/1050	480/1000	550/940	620/850
0.20	30/1000	240/980	330/950	390/910	465/870	530/820	600/760
0.40	20/860	190/880	320/790	380/750	NA	NA	NA
Return Static	0.00	0.05	0.10	0.15	0.20	0.25	0.30
LOW SPEED							
Supply Air Static	Ventilation Air / Total Air (CFM)						
0.00	30/930	240/910	330/890	390/860	470/820	540/770	600/720
0.20	20/820	220/790	320/770	380/730	460/690	NA	NA
0.40	10/690	NA	NA	NA	NA	NA	NA
Return Static	0.00	0.05	0.10	0.15	0.20	0.25	0.30

**TABLE 3
WGBFAD-3 VENTILATION AIR
FOR USE WITH W30G AND W36G MODELS**

HIGH SPEED							
Supply Air Static	Ventilation Air / Total Air (CFM)						
0.00	235/1510	290/1490	355/1460	420/1420	500/1380	580/1330	670/1270
0.20	210/1365	270/1330	340/1290	410/1250	480/1200	550/1150	630/1090
0.40	180/1170	250/1140	330/1090	400/1020	470/930	530/820	600/690
Return Static	0.00	0.05	0.10	0.15	0.20	0.25	0.30
MEDIUM SPEED							
Supply Air Static	Ventilation Air / Total Air (CFM)						
0.00	220/1345	280/1330	350/1300	410/1260	490/1210	560/1150	640/1075
0.20	200/1200	260/1160	330/1130	400/1090	470/1050	540/1000	620/950
0.40	50/1030	200/1000	320/960	390/900	460/840	480/760	520/680
Return Static	0.00	0.05	0.10	0.15	0.20	0.25	0.30
LOW SPEED							
Supply Air Static	Ventilation Air / Total Air (CFM)						
0.00	40/1110	260/1100	340/1085	400/1050	480/1000	550/940	620/850
0.20	30/1000	240/980	330/950	390/910	465/870	530/820	600/760
0.40	20/860	190/880	320/790	380/750	NA	NA	NA
Return Static	0.00	0.05	0.10	0.15	0.20	0.25	0.30

INSTALLATION

- Step 1. Disconnect all power to the unit.
- Step 2. Remove vent option door. (See Figure 1.) Remove vent option door blank off plate if installed.
- Step 3. Check when installing the WGBFAD that the "exhaust cover plates" are in place in the unit. (See Figure 2.)
- Step 4. WGBFAD is to be installed on the inside of the vent option door with (4) screws provided. Screws are installed from outside of the panel. (See Figure 3A.)
- Step 5. Install blade stops as necessary to limit maximum or minimum blade opening as required by the installation. (See Figure 3B.)
- Step 6. Check for free movement of blade.
- Step 7. Replace vent option door.

FIGURE 1

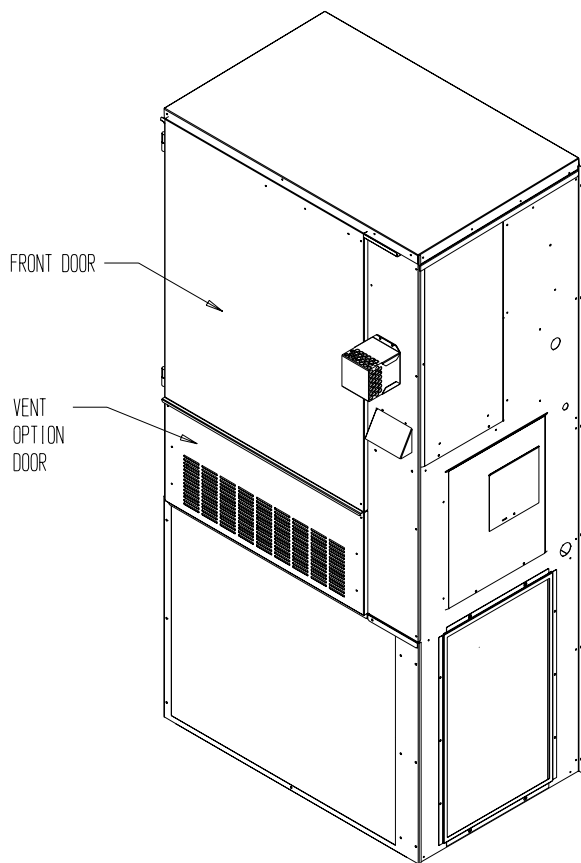


FIGURE 2

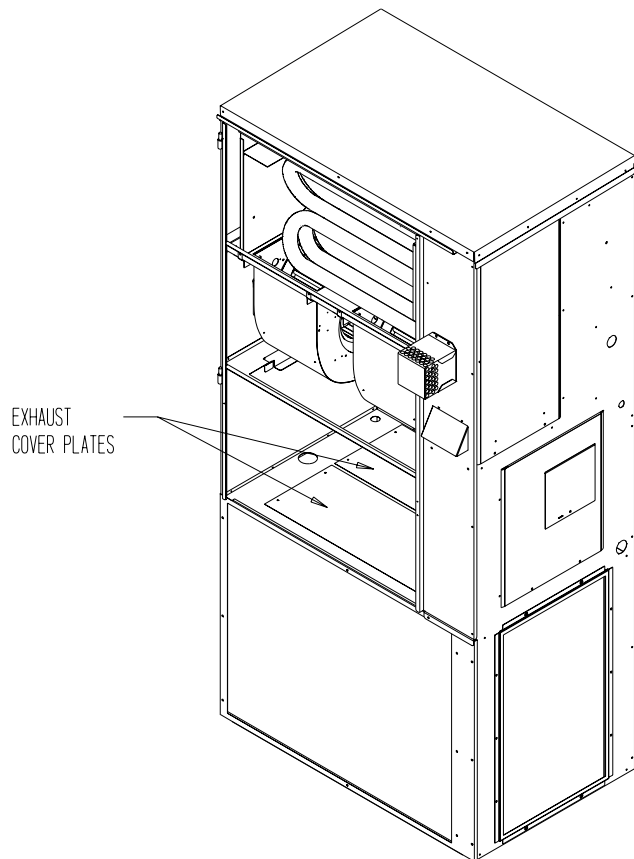


FIGURE 3A

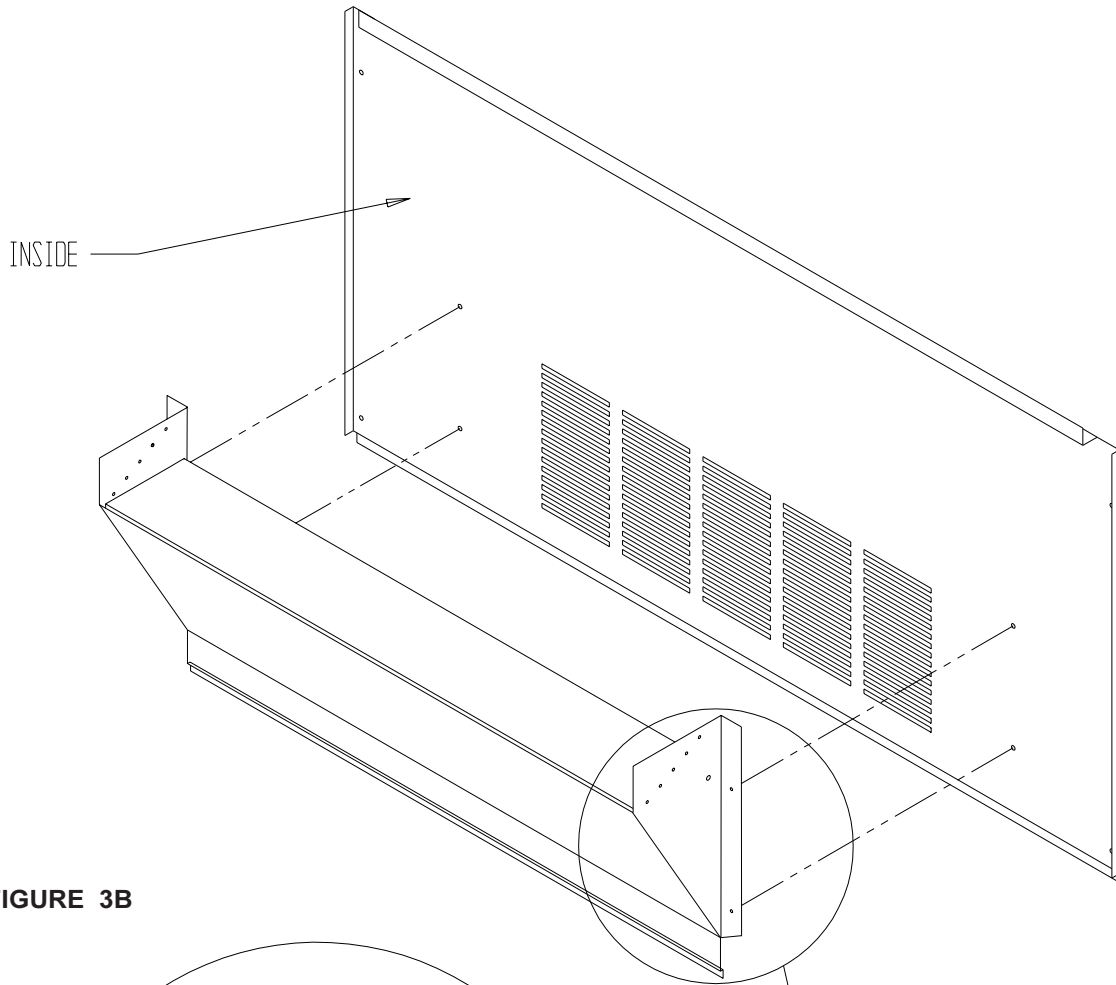
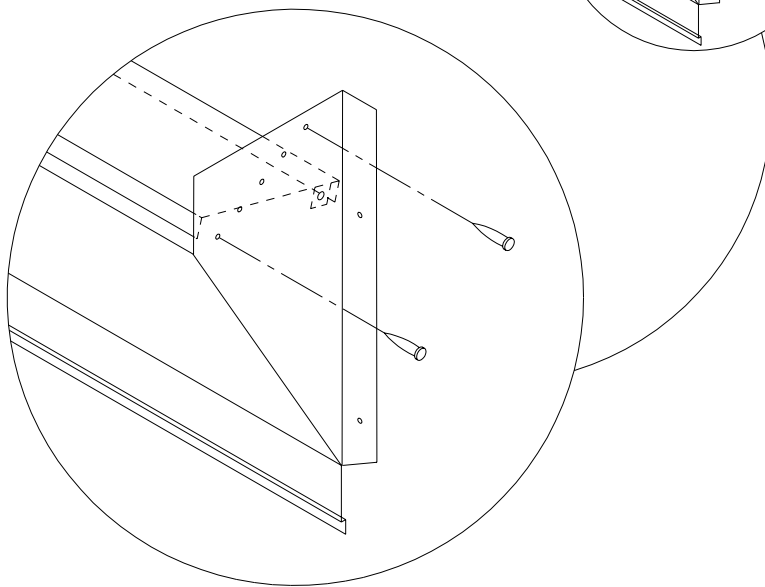


FIGURE 3B



MIS-338