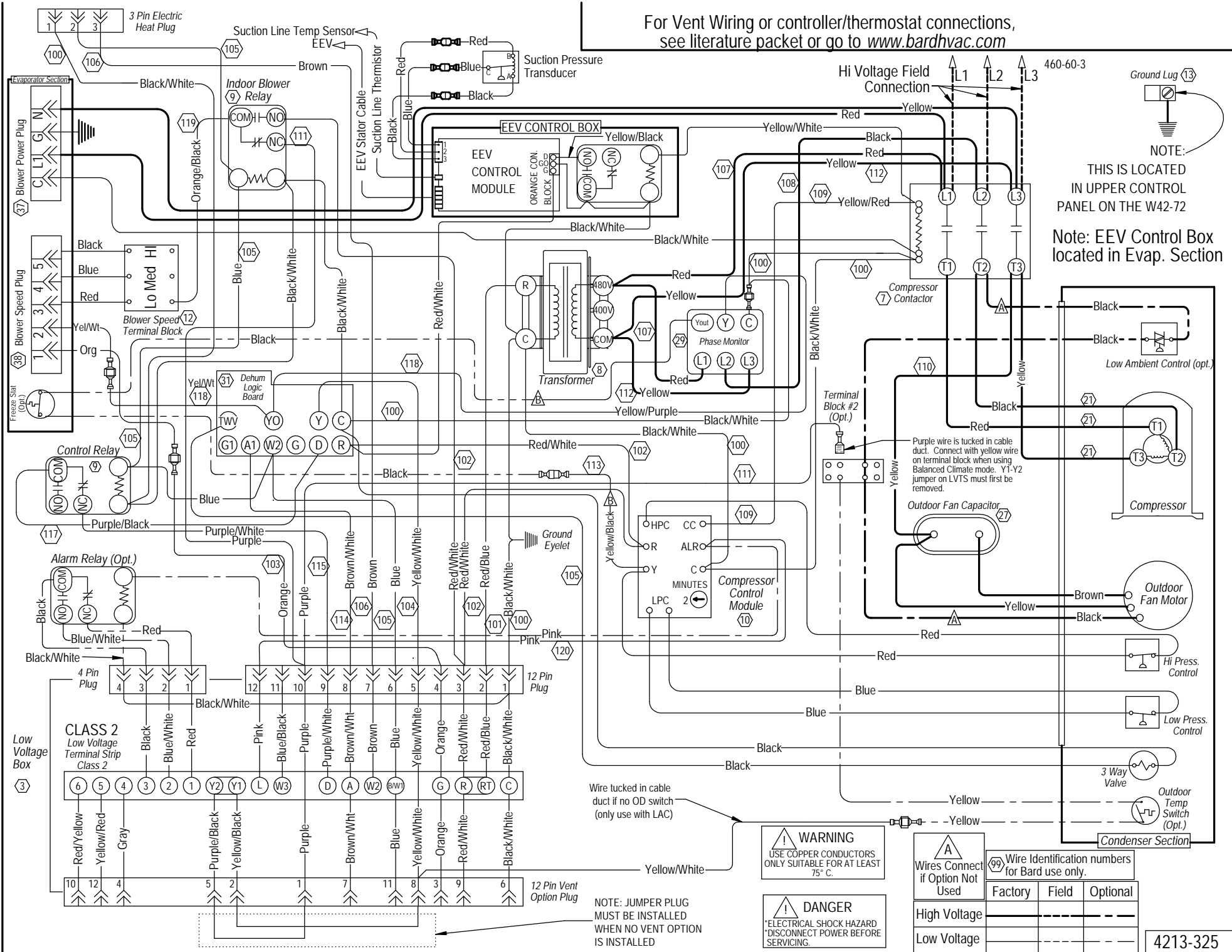


For Vent Wiring or controller/thermostat connections, see literature packet or go to www.bardhvac.com



NOTE:
THIS IS LOCATED
IN UPPER CONTROL
PANEL ON THE W42-72

Note: EEV Control Box
located in Evap. Section

WARNING
USE COPPER CONDUCTORS
ONLY SUITABLE FOR AT LEAST
75° C.

DANGER
ELECTRICAL SHOCK HAZARD
DISCONNECT POWER BEFORE
SERVICING.

NOTE: JUMPER PLUG
MUST BE INSTALLED
WHEN NO VENT OPTION
IS INSTALLED

Wires Connect if Option Not Used	99 Wire Identification numbers for Bard use only.		
	Factory	Field	Optional
High Voltage			
Low Voltage			

4213-325