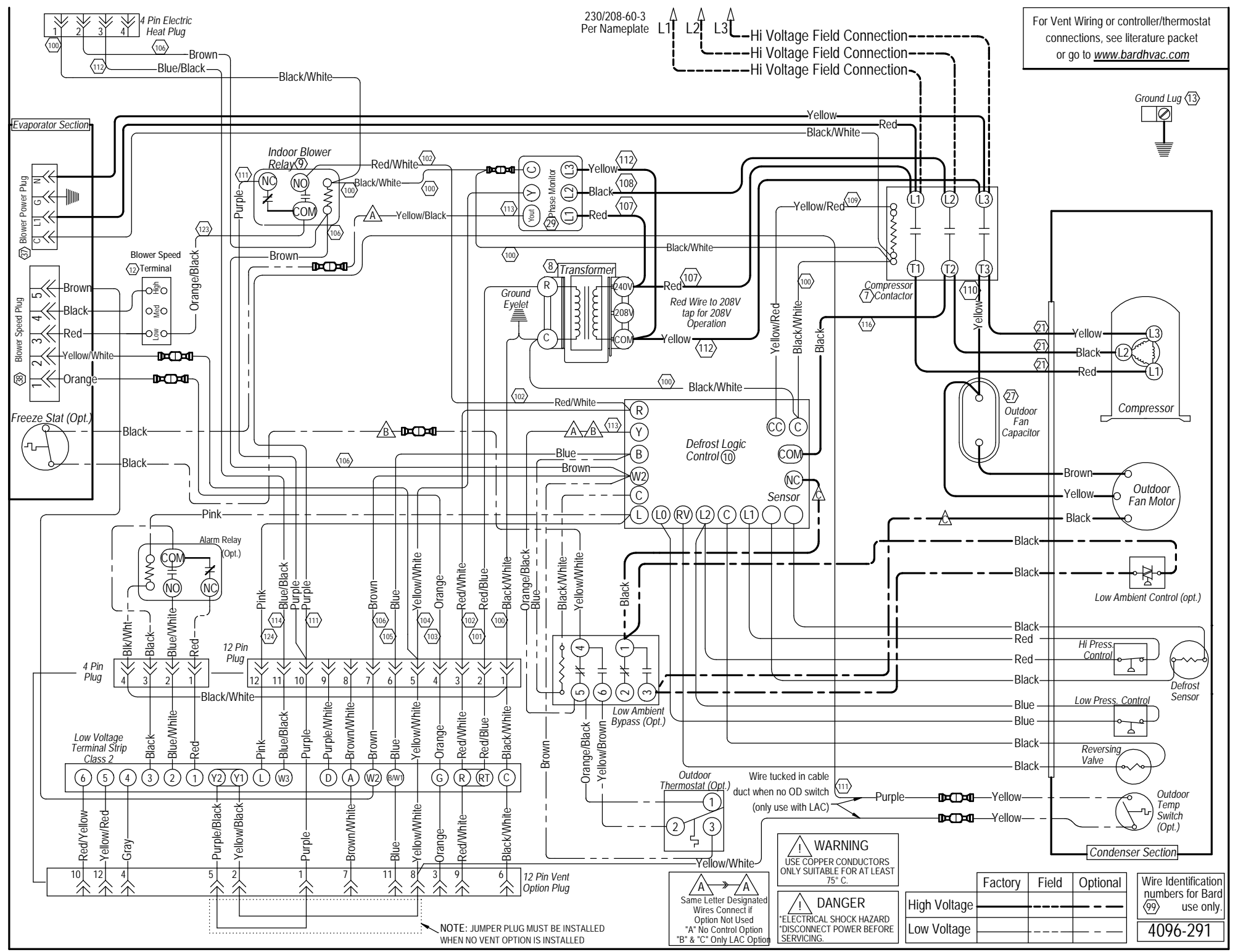


230/208-60-3
Per Nameplate

For Vent Wiring or controller/thermostat connections, see literature packet or go to www.bardhvac.com



NOTE: JUMPER PLUG MUST BE INSTALLED WHEN NO VENT OPTION IS INSTALLED

A → **A**
Same Letter Designated Wires Connect if Option Not Used
A No Control Option
B & *C* Only LAC Option

WARNING
USE COPPER CONDUCTORS ONLY SUITABLE FOR AT LEAST 75° C.

DANGER
ELECTRICAL SHOCK HAZARD
DISCONNECT POWER BEFORE SERVICING.

High Voltage	Factory	Field	Optional
Low Voltage			

Wire Identification numbers for Bard (99) use only.
4096-291