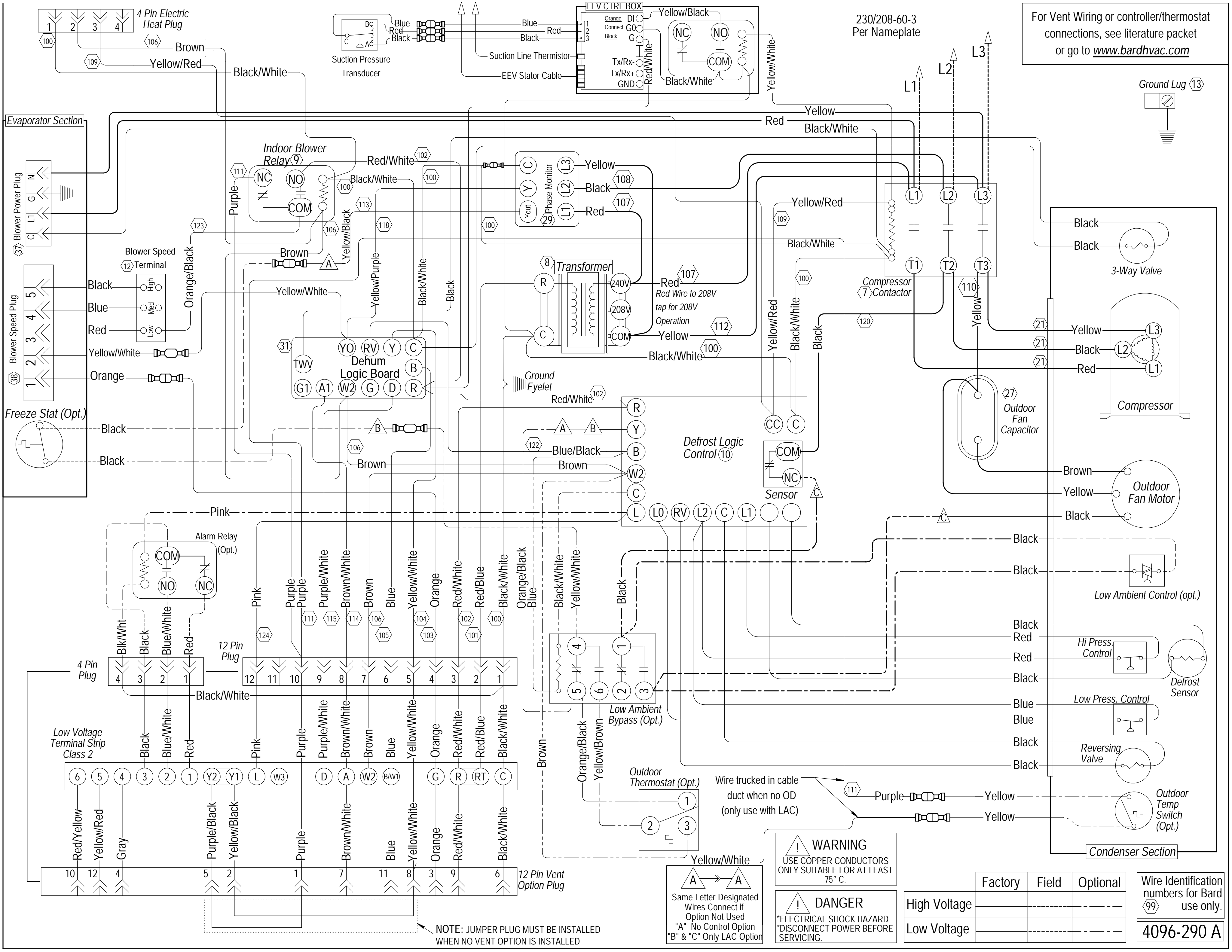


For Vent Wiring or controller/thermostat connections, see literature packet or go to [www.bardhvac.com](http://www.bardhvac.com)



230/208-60-3  
Per Nameplate

**WARNING**  
USE COPPER CONDUCTORS  
ONLY SUITABLE FOR AT LEAST  
75° C.

**DANGER**  
\*ELECTRICAL SHOCK HAZARD  
\*DISCONNECT POWER BEFORE  
SERVICING.

	Factory	Field	Optional
High Voltage			
Low Voltage			

Wire Identification numbers for Bard use only.  
**4096-290 A**

Same Letter Designated Wires Connect if Option Not Used  
"A" No Control Option  
"B" & "C" Only LAC Option

NOTE: JUMPER PLUG MUST BE INSTALLED WHEN NO VENT OPTION IS INSTALLED