

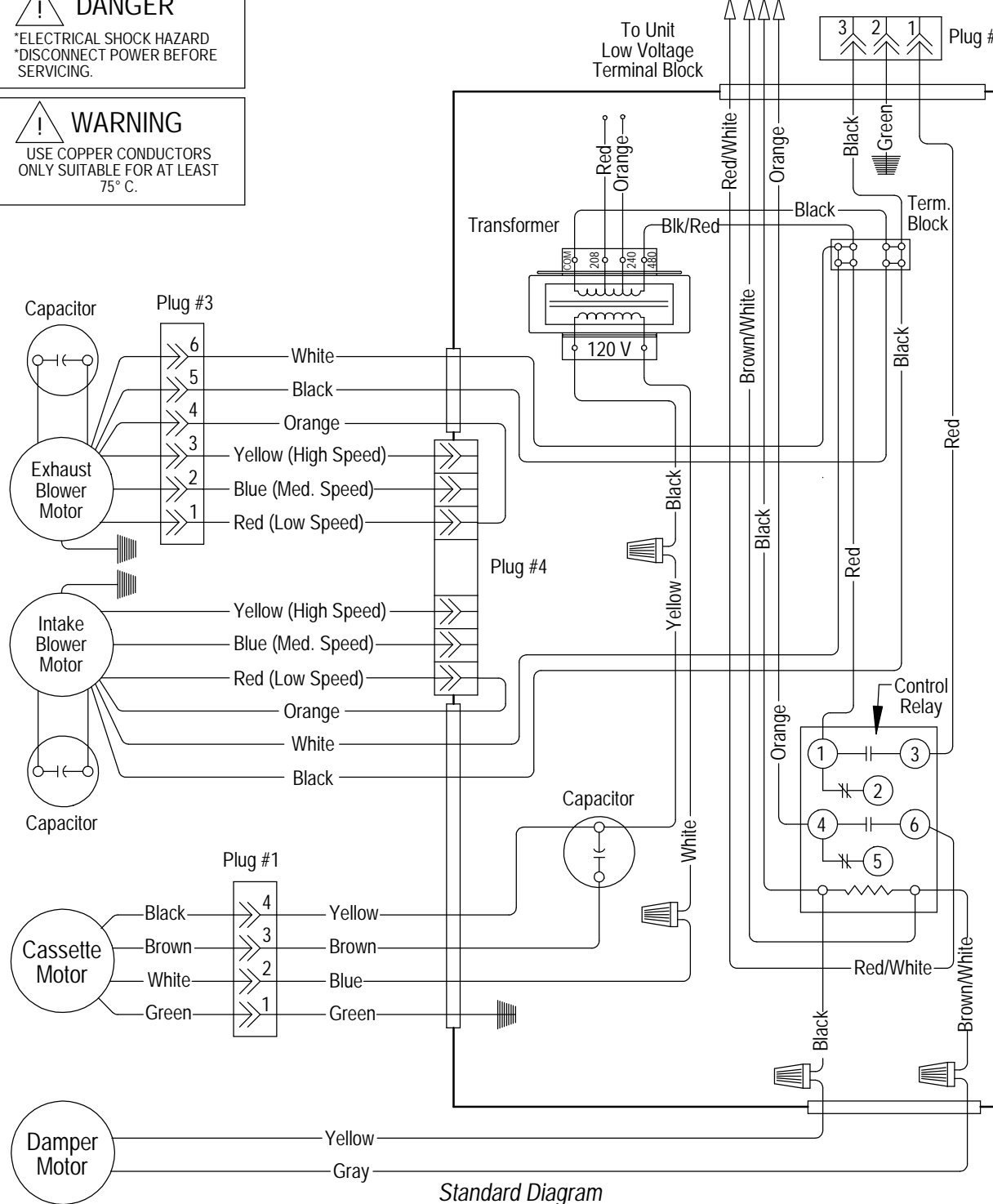
**! DANGER**

\*ELECTRICAL SHOCK HAZARD  
\*DISCONNECT POWER BEFORE  
SERVICING.

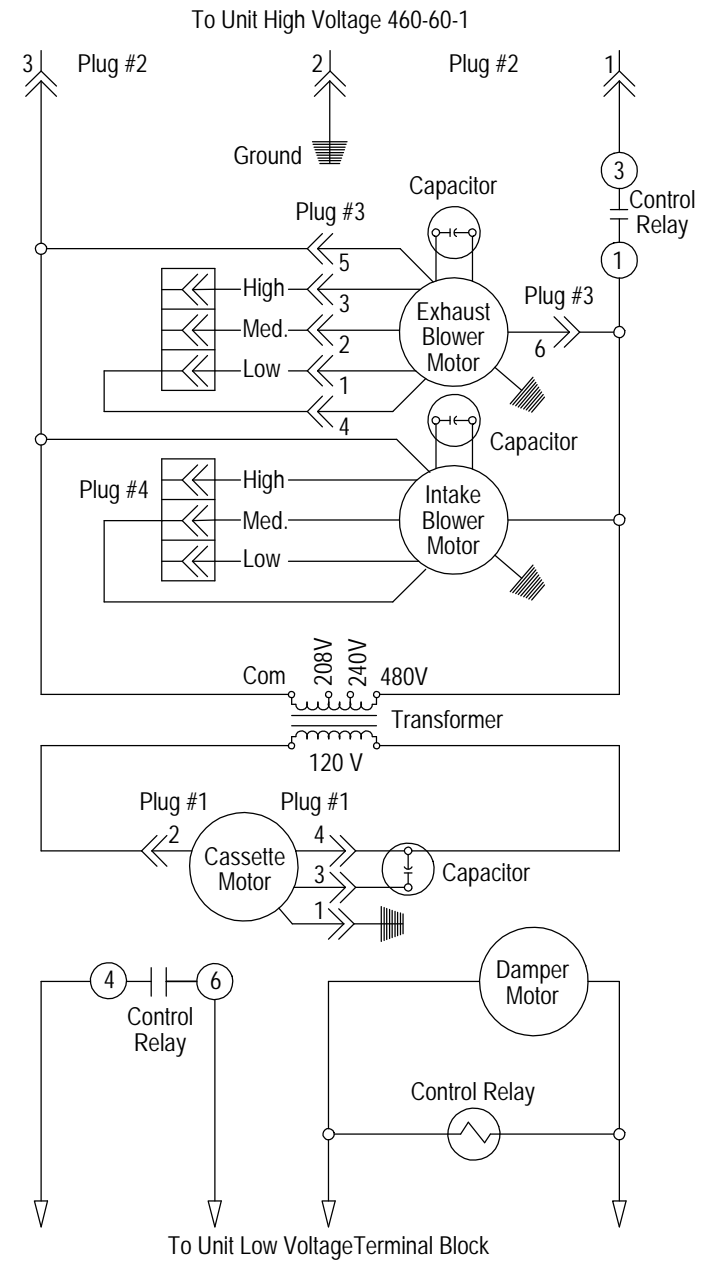
**! WARNING**

USE COPPER CONDUCTORS  
ONLY SUITABLE FOR AT LEAST  
75° C.

Note: See Control Wiring Section of Installation Inst. for Wiring Energy Recovery to Unit



Standard Diagram



Note: See Control Wiring Section of Installation Inst. for Wiring Energy Recovery to Unit

Ladder Diagram

4056-314 A