

DOES NOT APPLY IF CO2 CONTROL IS USED

TO SET CRV AIRFLOW FOR BLOWER ONLY, JUMPER R,G,01. ADJUST POT R1.

TO SET CRV AIRFLOW FOR 1ST STAGE COOLING, JUMPER R,G,Y,01. ADJUST POT R2.

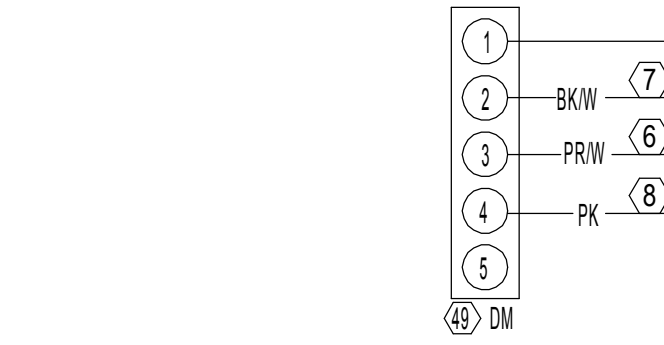
TO SET CRV AIRFLOW FOR 2ND STAGE COOLING, JUMPER R,G,Y,Y1,01. ADJUST POT R3.


APPLIES IF CO2 CONTROL IS USED

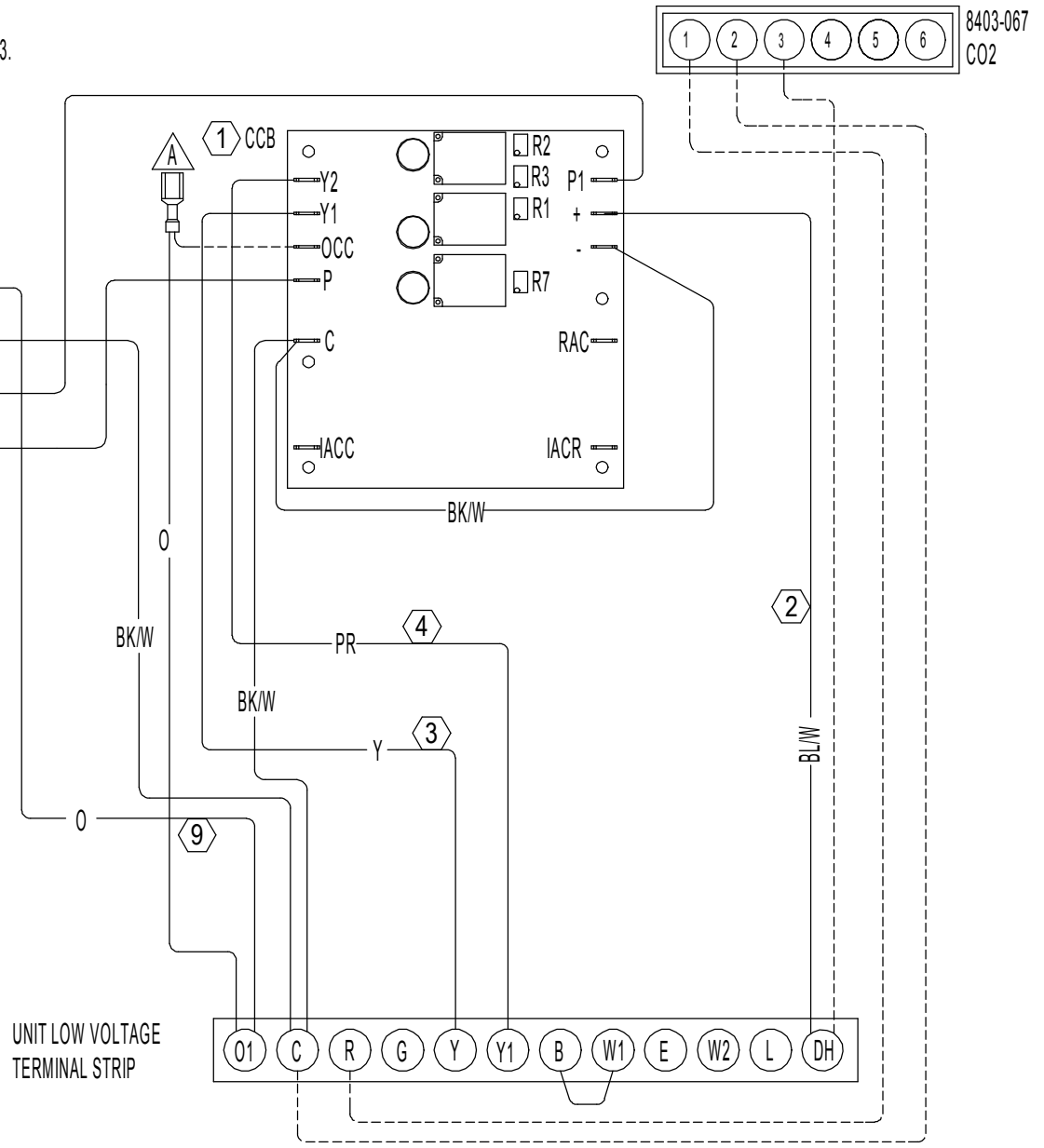
CONNECT  TERMINAL TO OCCUPIED TERMINAL ON BOARD

TO SET CRV AIRFLOW FOR CO2 MINIMUM POSITION, JUMPER R TO O1, G.
ADJUST POT R7.

REMOVE JUMPER AFTER COMPLETION OF ADJUSTMENT



COLOR CODE	WIRE COLOR ABBREVIATION	
BLACK	BK	 CONNECT TO OCC WHEN OPTIONAL CO2 SENSOR IS USED
BROWN	BR	
RED	R	----- REQUIRED FIELD WIRING FOR OPTIONAL CO2 CONTROL
ORANGE	O	
YELLOW	Y	PART ABBREVIATION LIST
GREEN	G	
BLUE	BL	CCB CRV CONTROL BOARD
VIOLET(PURPLE)	V(PR)	CO2 CARBON DIOXIDE SENSOR
GRAY(SLATE)	GY(S)	DM DAMPER MOTOR
WHITE	W	
TAN	T	
PINK	PK	
LAVENDER	L	



HEAT PUMP CONNECTION DIAGRAM

8403-067
CO2