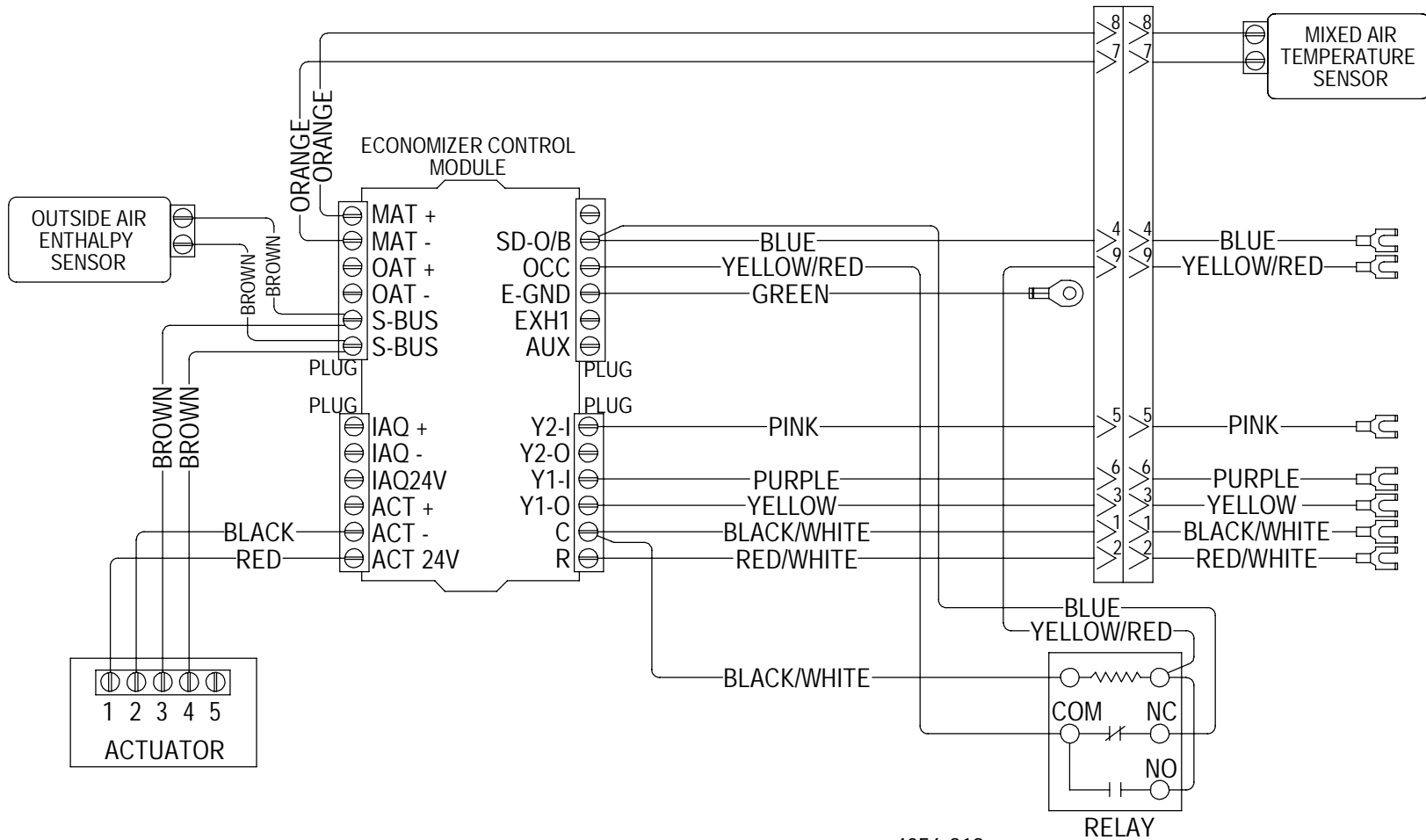


Economizer Wiring Diagram



4056-219