

! DANGER

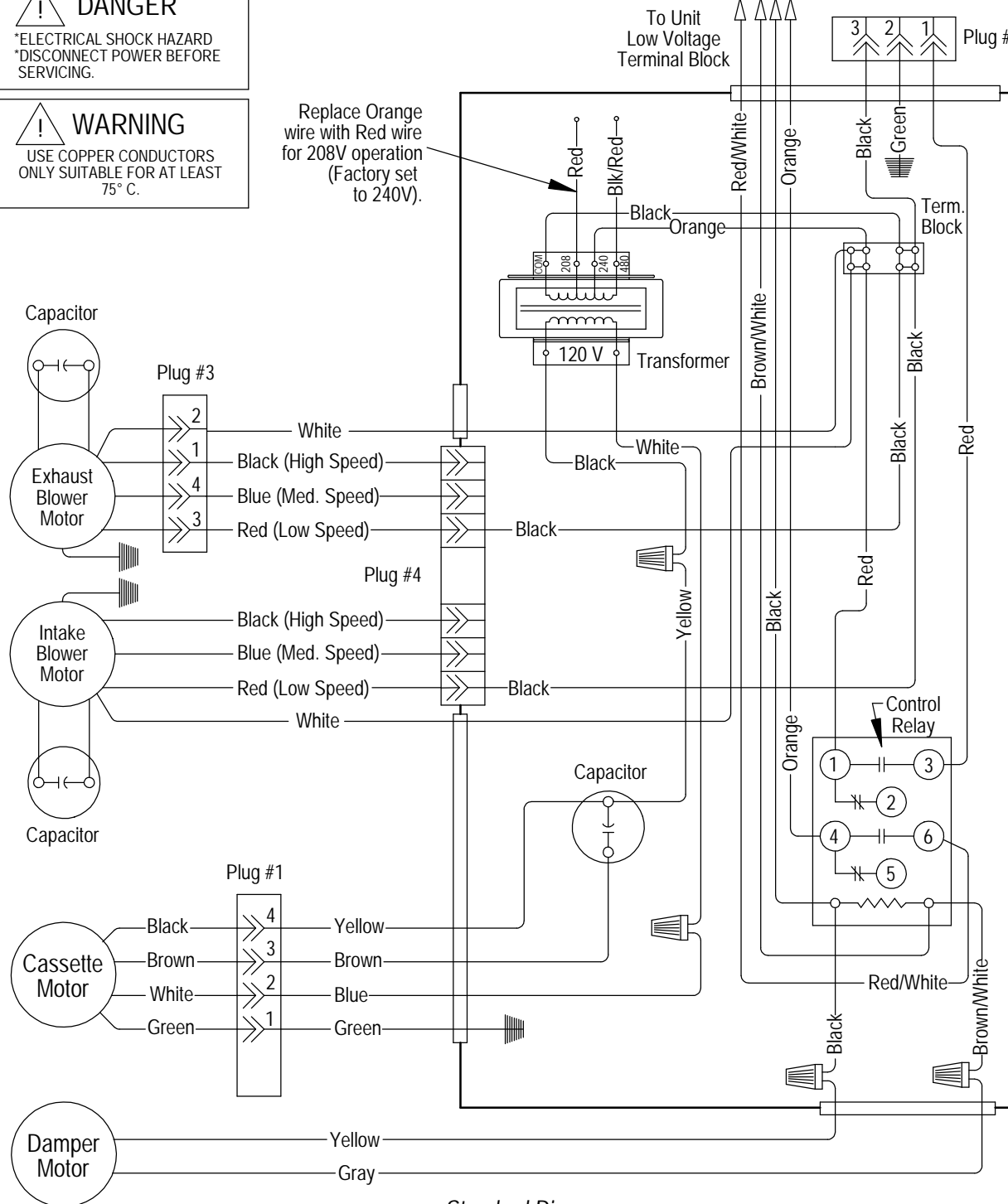
*ELECTRICAL SHOCK HAZARD
*DISCONNECT POWER BEFORE
SERVICING.

! WARNING

USE COPPER CONDUCTORS
ONLY SUITABLE FOR AT LEAST
75° C.

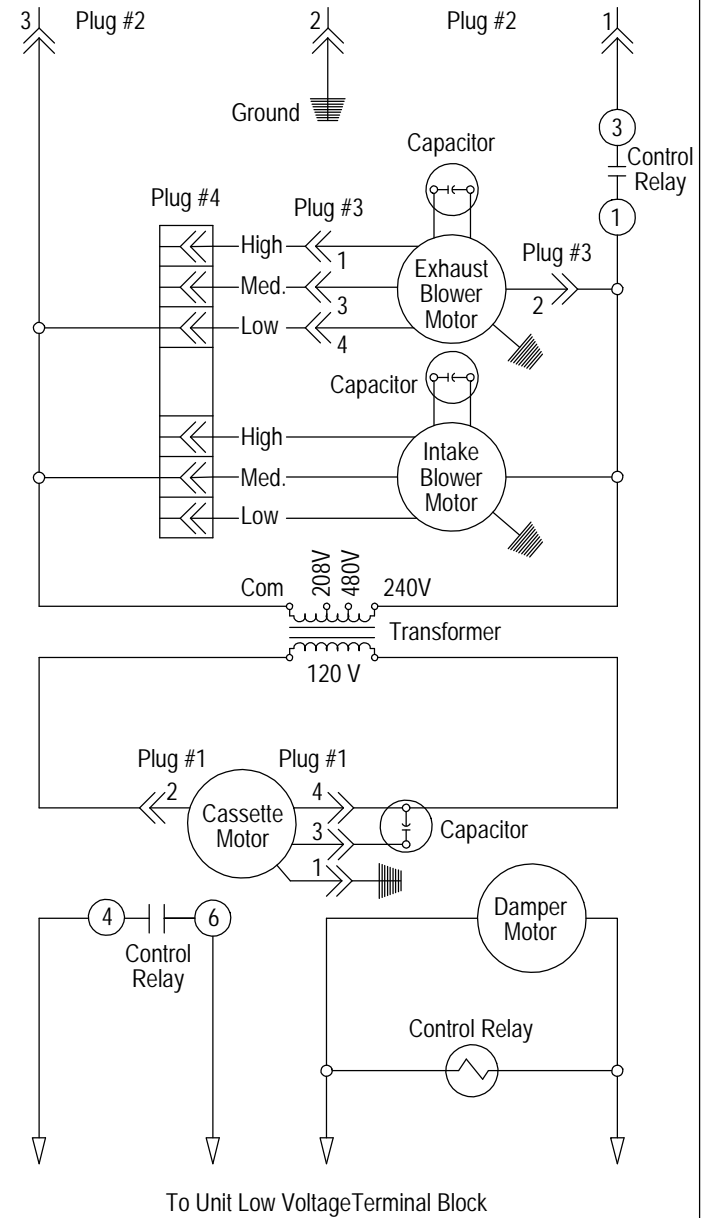
Note: See Control Wiring Section of Installation Inst. for Wiring Energy Recovery to Unit

Replace Orange
wire with Red wire
for 208V operation
(Factory set
to 240V).



Standard Diagram

To Unit High Voltage 240/208-60-1



Ladder Diagram

Note: See Control Wiring Section of Installation Inst.
for Wiring Energy Recovery to Unit

4056-214 A