
REPLACEMENT PARTS MANUAL

ECONOMIZER

Models:

ECONCHS-E3-* ECONCHS-T3-* CHCRV-3
ECONCHS-E5-* ECONCHS-T5-*

General Notes

- Revised and/or additional pages may be issued from time to time.
- A complete and current manual consists of pages shown in the following contents section.

Important

- Contact the installing and/or local Bard distributor for all parts requirements. Be sure to have the complete model and serial number available from the unit rating plates.

Contents

<u>Description</u>	<u>Page</u>
Economizer and Control – ECONCHS-E3-*/ ECONCHS-T3-*/CHCRV-3	
♦ Exploded View	2
♦ Usage List	3
Economizer and Control – ECONCHS-E5-*/ ECONCHS-T5-*	
♦ Exploded View	4
♦ Usage List	5

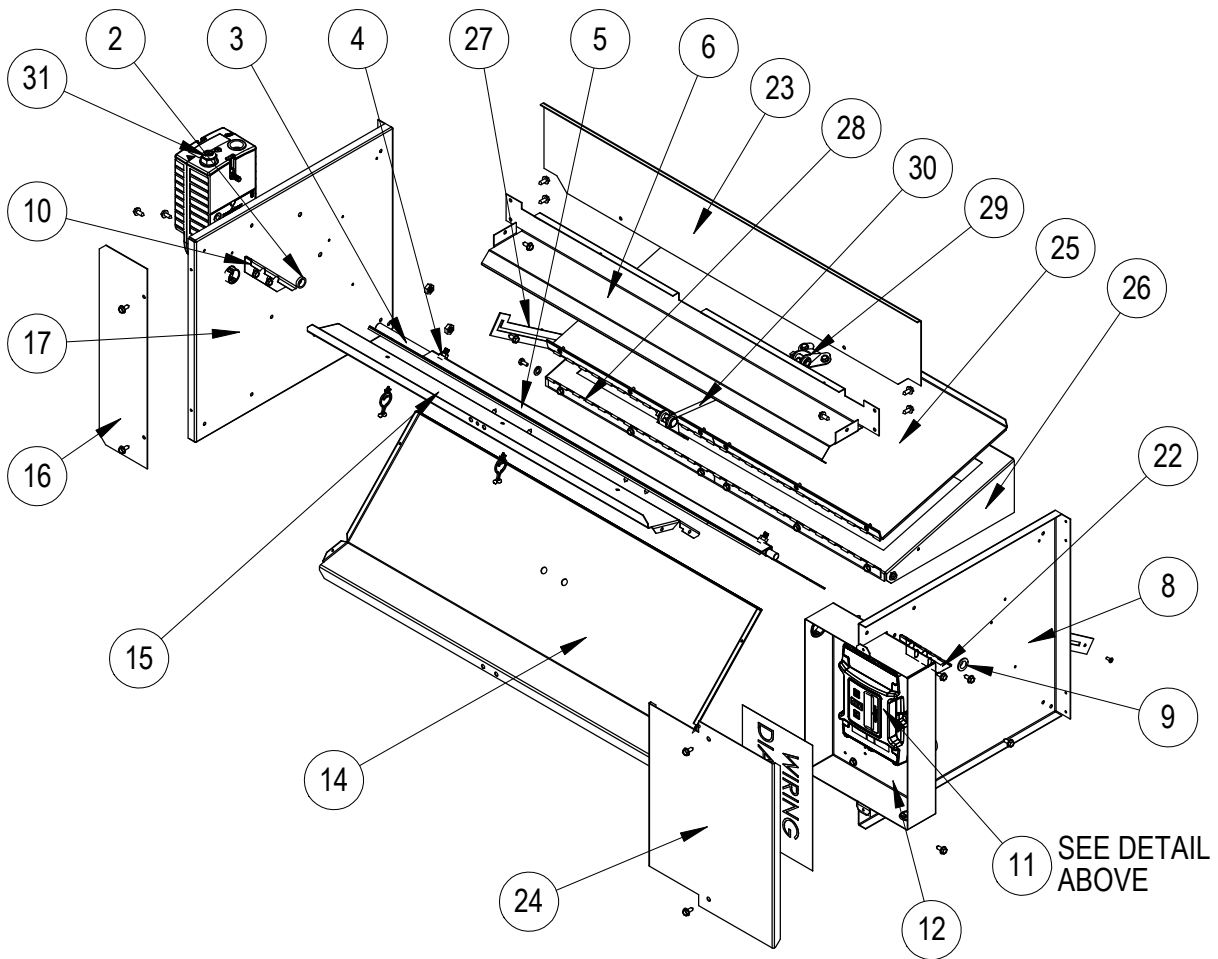
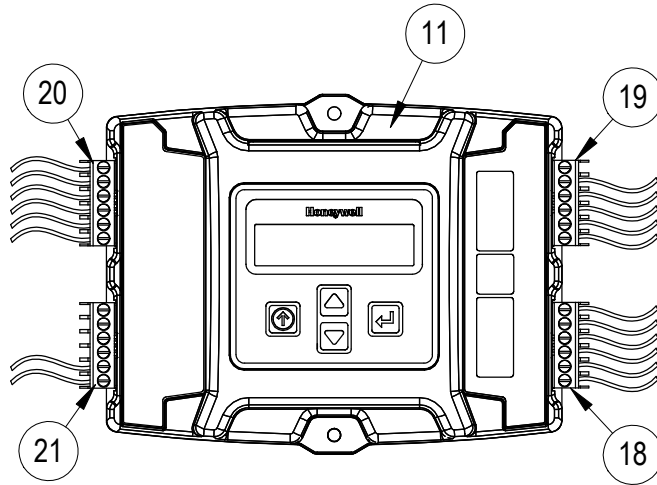


Climate Control Solutions

Bard Manufacturing Company, Inc.
Bryan, Ohio 43506
www.bardhvac.com

Manual: 2110-698C
Supersedes: 2110-698B
Date: 11-12-18

ECONOMIZER and CONTROL - ECONCHS-E3-*/ECONCHS-T3-*/CHCRV-3

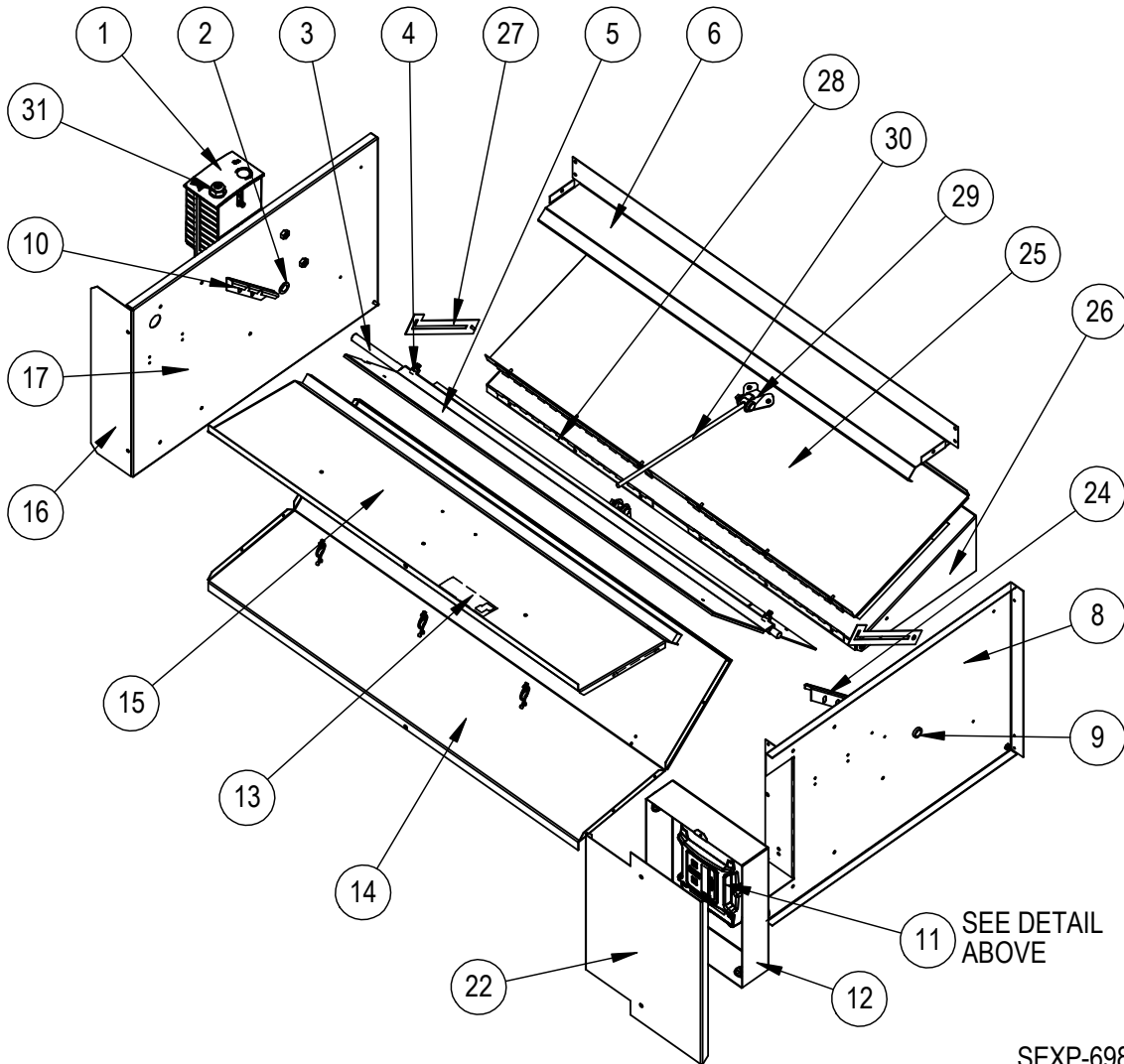
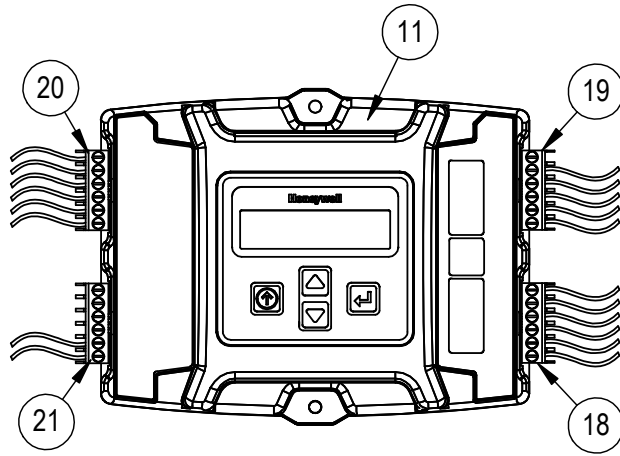


SEXP-699 A

ECONOMIZER and CONTROL – ECONCHS-E3-*/ECONCHS-T3-*/CHCRV-3

Drawing No.	Part No.	Description	ECONCHS-E3-*	ECONCHS-T3-*	CHCRV-3
1	8602-059	Direct Coupled Actuator	X	X	
1	8602-069	Direct Coupled Actuator			X
2	8602-052	1/2" I.D. Bronze Bushing	X	X	X
3	8602-060	Drive Pin 1/2"	X	X	X
4	8602-038	Damper Pin with Hardware	X	X	X
5	S139-297	Damper Blade	X	X	X
6	105-718	Rear Upper Angle	2	2	2
8	S101-786	Right Side	X	X	
8	S101X792	Right Side			X
9	8602-039	Bronze Bushing	X	X	X
10	S105Y1248	Left Economizer Angle	X	X	X
11	S8602-056-0003A	Economizer Module - Programmed	X	X	
12	S137-666	Right Fill Plate	X	X	
12	137-721	Right Fill Plate			X
13	8602-063	Enthalpy Sensor - Outdoor Air	X		
13A	8602-058	Temperature Sensor	X	2	
14	S127-521	Lower Partition/Base	X	X	X
15	S137-863	Upper Partition	X	X	X
16	136-635	Left Fill Plate	X	X	X
17	S101-787	Left Side	X	X	
17	S101Y792	Left Side			X
18	3000-1417	Wire Harness	X	X	
19	3000-1382	Wire Harness	X	X	
20	3000-1395	Wire Harness	X	X	
21	3000-1384	Wire Harness	X	X	
22	S105X1248	Right Economizer Angle	X	X	X
23	105-1247	Return Fill	X	X	X
24	143-162	Control Cover	X	X	
25	S139-295	Extension Blade w/ Hinges	X	X	X
26	S139-301	Extension Base w/ two (2) locking plates	X	X	X
27	139-296	Locking Plate	2	2	2
28	5400-002	Hinge	2	2	2
29	8602-040	Bracket	2	2	2
30	8602-047	Rod	X	X	X
31	131-095	Filter Stop Angle	2	2	2
NS	113-468	Sensor Bracket	X	X	
NS	8201-141	CRV Control			X

ECONOMIZER and CONTROL - ECONCHS-E5-*/ECONCHS-T5-*



SEXP-698

ECONOMIZER and CONTROL – ECONCHS-E5-*/ECONCHS-T5-*

Drawing No.	Part No.	Description	ECONCHS-E5-*	ECONCHS-T5-*
1	8602-059	Direct Coupled Actuator	X	X
2	8602-052	1/2" I.D. Bronze Bushing	X	X
3	8602-060	Drive Pin 1/2"	X	X
4	8602-038	Damper Pin with Hardware	X	X
5	S139-293	Damper Blade	X	X
6	137-716	Rear Upper Brace	X	X
8	S101-784	Right Side	X	X
9	8602-039	Bronze Bushing	X	X
10	S105Y1248	Left Economizer Angle	X	X
11	S8602-056-0003A	Economizer Module - Programmed	X	
11	S8602-056-0001A	Economizer Module - Programmed		X
12	S137-666	Right Fill Plate	X	X
13	8602-063	Enthalpy Sensor - Outdoor Air	X	
14	S127-453	Lower Partition/Base	X	X
15	S137-715	Upper Partition	X	X
16	137-613	Left Fill Plate	X	X
17	S101-785	Left Side	X	X
18	3000-1417	Wire Harness	X	X
19	3000-1382	Wire Harness	X	X
20	3000-1395	Wire Harness	X	X
21	3000-1384	Wire Harness	X	X
22	143-173	Control Cover	X	X
25	S139-291	Extension Blade w/ Hinges	X	X
26	S139-290	Extension Base w/ two (2) locking pins	X	X
27	138-292	Locking Plate	2	2
28	5400-002	Hinge	2	2
29	8602-040	Bracket	2	2
30	8602-047	Rod	X	X
31	8611-130	LTF Fitting	X	X
NS	113-433	Sensor Bracket	X	X
NS	8602-058	Temperature Sensor	X	2
NS	S136-632	Condenser Cover Plate	X	X