
REPLACEMENT PARTS MANUAL

COMMERCIAL ROOM VENTILATOR

MODELS: **CRVMP-5**
WGSCRVMP-5

General Notes

- Revised and/or additional pages may be issued from time to time.
- A complete and current manual consists of pages shown in the following contents section.

Contents

Description	Page
Functional and Cabinet Components	
♦ Exploded View	2
♦ Usage List	3
♦ Exploded View & Usage List	4

Important

- Contact the installing and/or local Bard distributor for all parts requirements. Make sure you have the complete model and serial number available from the unit rating plates.



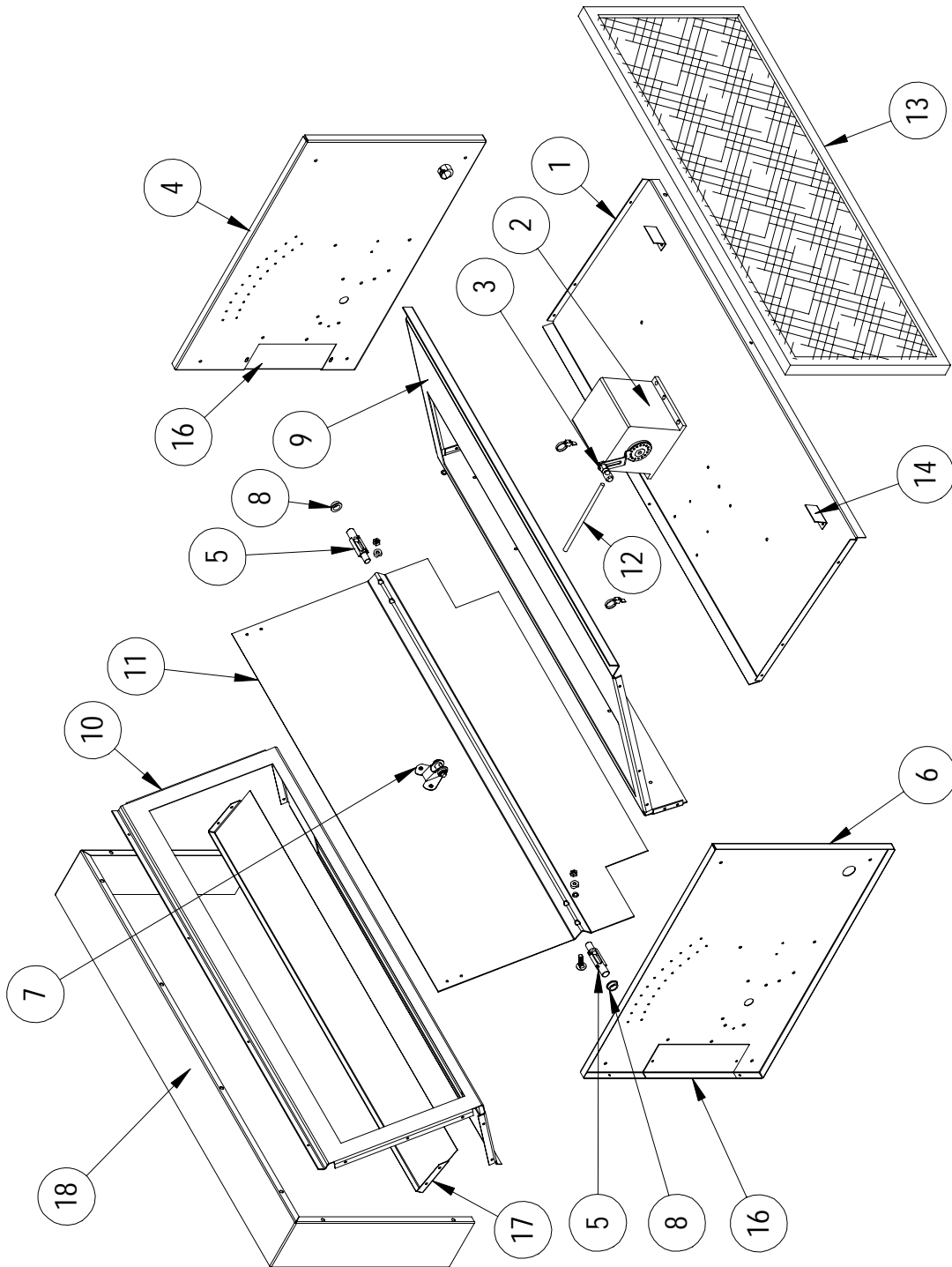
Bard Manufacturing Company, Inc.
Bryan, Ohio 43506
Since 1914...Moving ahead, just as planned.

Manual: 2110-686B
Supersedes: 2110-686A
File: Vol. III Tab 19
Date: 02-06-08

FUNCTIONAL and CABINET COMPONENTS

SEXP-439 A

CRVMP-5

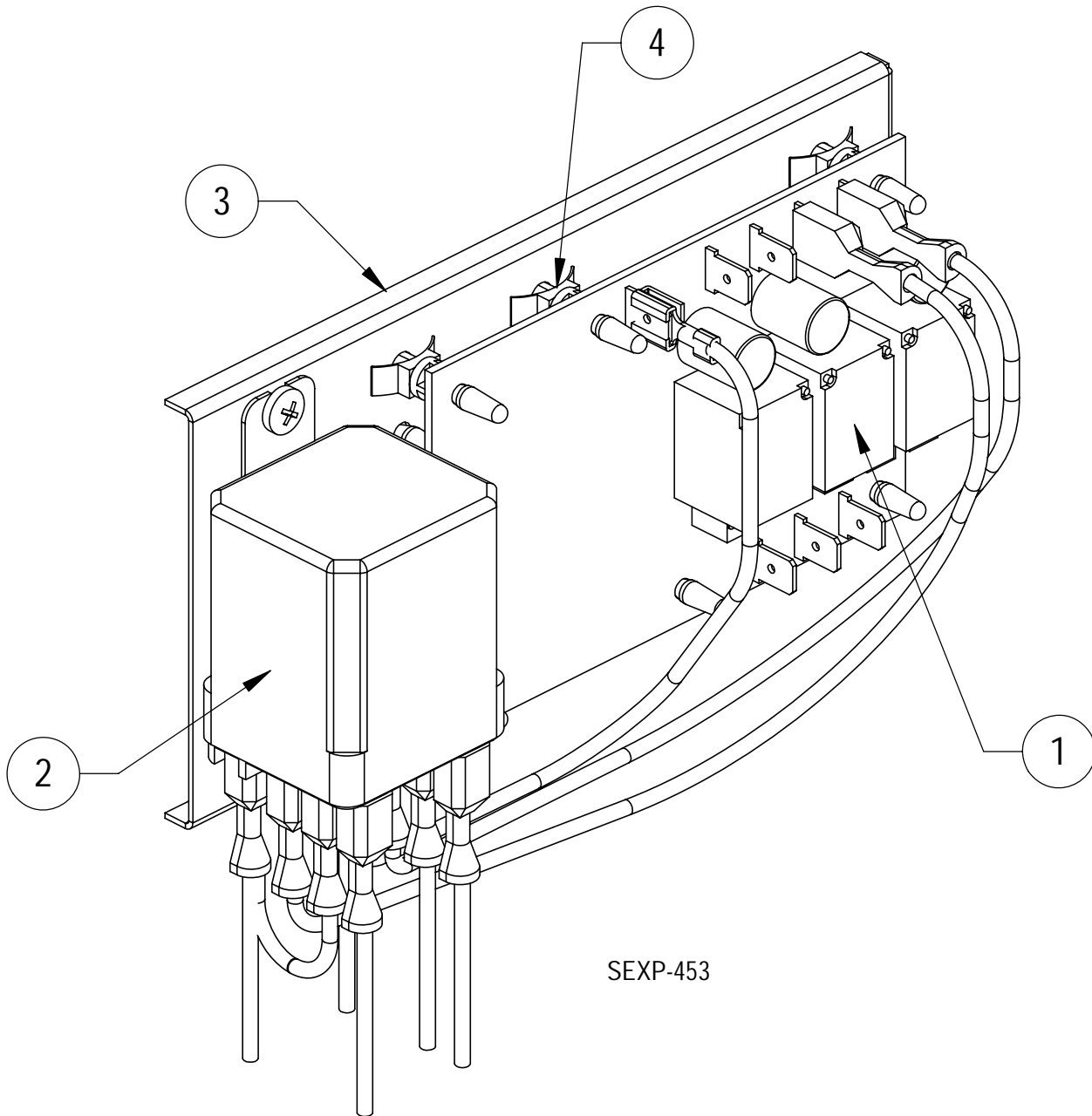


FUNCTIONAL and CABINET COMPONENTS

Drawing No.	Part No.	Description	CRVMP-5	WGSCRMP-5
1	127-215	Base	X	X
2	8602-017	Motor	X	X
3	8602-008	Ball Joint	X	X
4	100X440	Right End	X	X
5	8602-038	Damper Blade Pin	2	2
6	100Y440	Left End	X	X
7	8602-040	Bracket	X	X
8	8602-039	Bronze Bushing	2	2
9	137-218	Front Fill	X	X
10	137-481	Return Fill	X	X
11	139-180	Damper Blade	X	X
12	8602-042	Rod	X	X
13	7003-035	Mist Eliminator	X	X
14	131-095	Filter Stop	2	2
16	137-486	Side Fill	2	2
17	137-483	Exhaust Partition	X	X
18	566-025	Sleeve		X
NS	4056-159	Wiring Diagram	X	
NS	4056-195	Wiring Diagram		X

NS = Not Shown

CONTROL BOARD ASSEMBLY COMPONENTS



Drawing No.	Part No.	Description	CRVMP-5	WGSCRVMP-5
	910-1622	Damper Step Control Assembly (Complete)	X	X
1	8201-104	3-Position CRV Control Board	X	X
2	8201-048	Relay, DPDT, 5A @ 277V	X	X
3	112-322	Mounting Plate	X	X
4	8611-080	Mounting Support, 3/8" Locking	X	X