

---

# REPLACEMENT PARTS MANUAL

---

## COMMERCIAL ROOM VENTILATOR

Models:

CRV-2    CRV-3    CRV-5

---

### General Notes

- Revised and/or additional pages may be issued from time to time.
- A complete and current manual consists of pages shown in the following contents section.

### Contents

Description	Page
Functional and Cabinet Components	
♦ Exploded View .....	2
♦ Exploded View .....	3
♦ Usage List .....	4

### Important

- Contact the installing and/or local Bard distributor for all parts requirements. Make sure you have the complete model and serial number available from the unit rating plates.

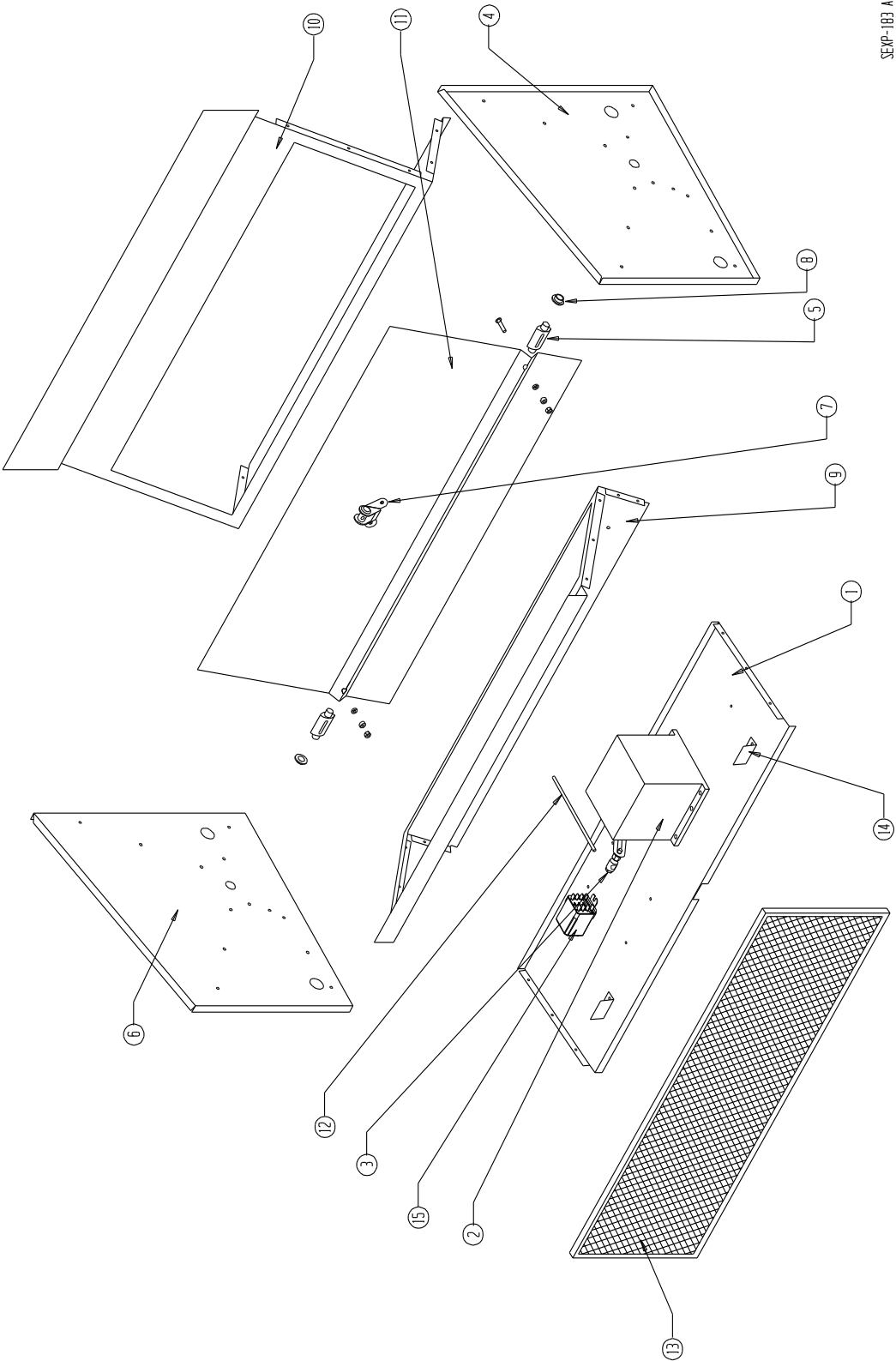


*Climate Control Solutions*

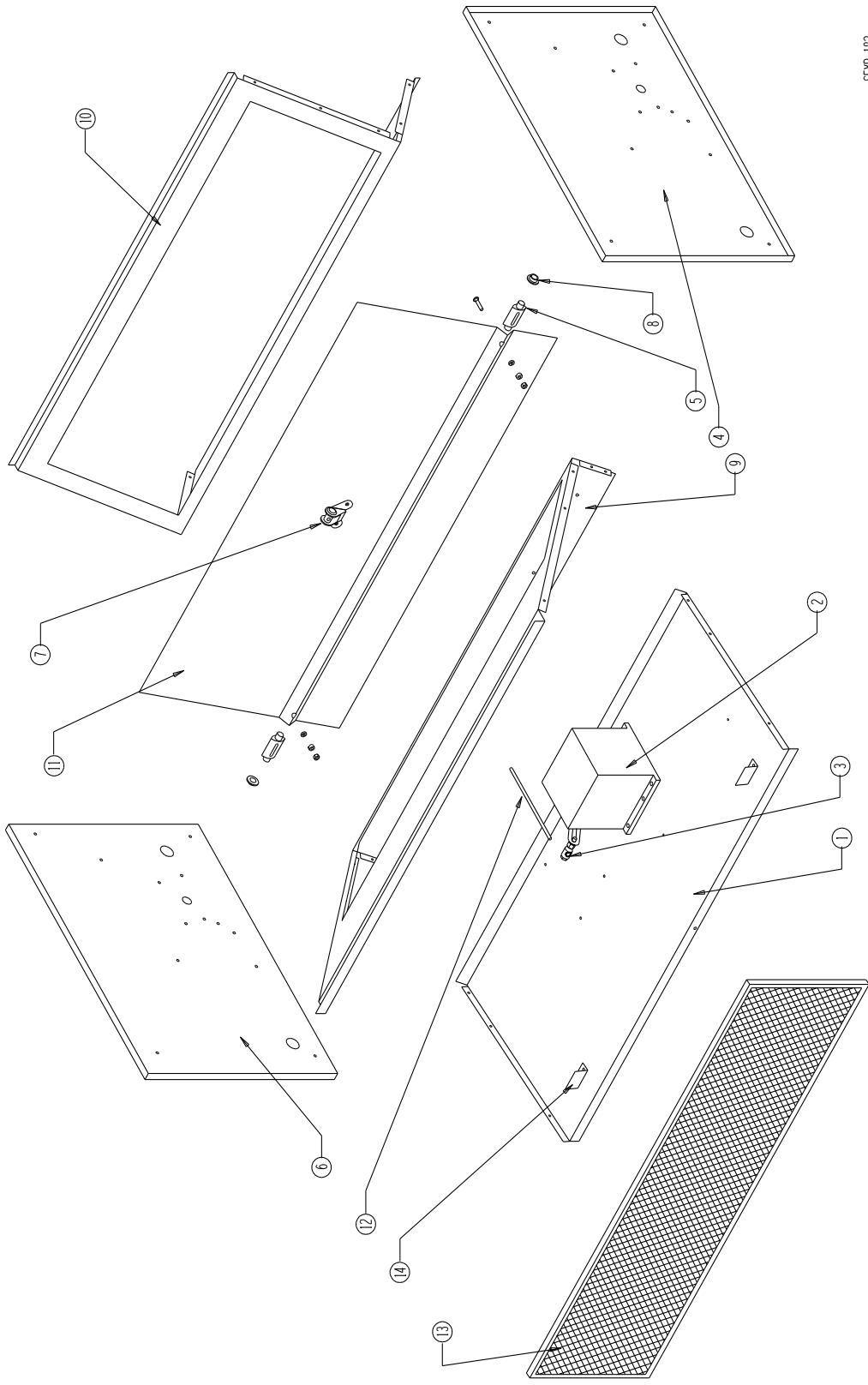
Bard Manufacturing Company, Inc.  
Bryan, Ohio 43506  
[www.bardhvac.com](http://www.bardhvac.com)

Manual: 2110-656B  
Supersedes: 2110-656A  
File: Tab 19  
Date: 10-02-14

# FUNCTIONAL & CABINET COMPONENTS – CRV-2, -3



# FUNCTIONAL & CABINET COMPONENTS – CRV-5



SEP-182

# FUNCTIONAL AND CABINET COMPONENTS

---

Drawing No.	Part No.	Description	CRV-2	CRV-3	CRV-5
1	127-215	Base			X
1	127-212	Base		X	
1	127-213	Base	X		
2	8602-020	Motor	X	X	X
3	8602-008	Ball Joint	X	X	X
4	500X263	Right End			X
4	S500X908 ①	Right End			X
4	500X245	Right End	X	X	
5	8602-038	Damper Blade Pin	2	2	2
6	500Y263	Left End			X
6	S500Y908 ①	Left End			X
6	500Y245	Left End	X	X	
7	8602-040	Bracket	X	X	X
8	8602-039	Bronze Bushing	2	2	2
9	S537-218	Front Fill			X
9	S537-178	Front Fill		X	
9	S537-187	Front Fill	X		
10	S537-217	Return Air Fill			X
10	S537-777 ①	Return Air Fill			X
10	S537-179	Return Air Fill		X	
10	137-188	Return Air Fill	X		
11	139-067	Damper Blade			X
11	139-054	Damper Blade	X		
11	139-053	Damper Blade		X	
12	8602-042	Rod	X	X	X
13	7003-035	Mist Eliminator			X
13	7003-033	Mist Eliminator		X	
13	7003-034	Mist Eliminator	X		
14	131-095	Filter Stop	2	2	
15	8201-048	Relay	X	X	
NS	4056-121B	Wiring Diagram	X	X	X

NS = Not Shown

① Nonfiberglass insulation option