
REPLACEMENT PARTS MANUAL

IZ Commercial Ventilator and Economizer

Models:
IZ-CRV IZ-ECON

Contents

Description	Page	Description	Page
Left Intake Blade Assembly		Control Panel Assembly – CRV/ECON (NC)	
♦ Layout View	2	♦ Layout View	16
♦ Usage List	3	♦ Usage List	17
Right Intake Blade Assembly		Control Panel Assembly – ECON (DB)/ECON (WB)	
♦ Layout View	4	♦ Layout View	18
♦ Usage List	5	♦ Usage List	19
Intake Actuator Assembly			
♦ Exploded View	6		
♦ Usage List	7		
Exhaust Actuator Assembly			
♦ Exploded View	8		
♦ Usage List	9		
Exhaust Duct Assembly			
♦ Exploded View	10		
♦ Usage List	11		
Blower Assembly			
♦ Layout View	12		
♦ Usage List	13		
Vent Box Assembly			
♦ Exploded View	14		
♦ Usage List	15		

General Notes

- Revised and/or additional pages may be issued from time to time.
- A complete and current manual consists of pages shown in the following contents section.

Important

- Contact the installing and/or local Bard distributor for all parts requirements. Make sure to have the complete model and serial number available from the unit rating plates.

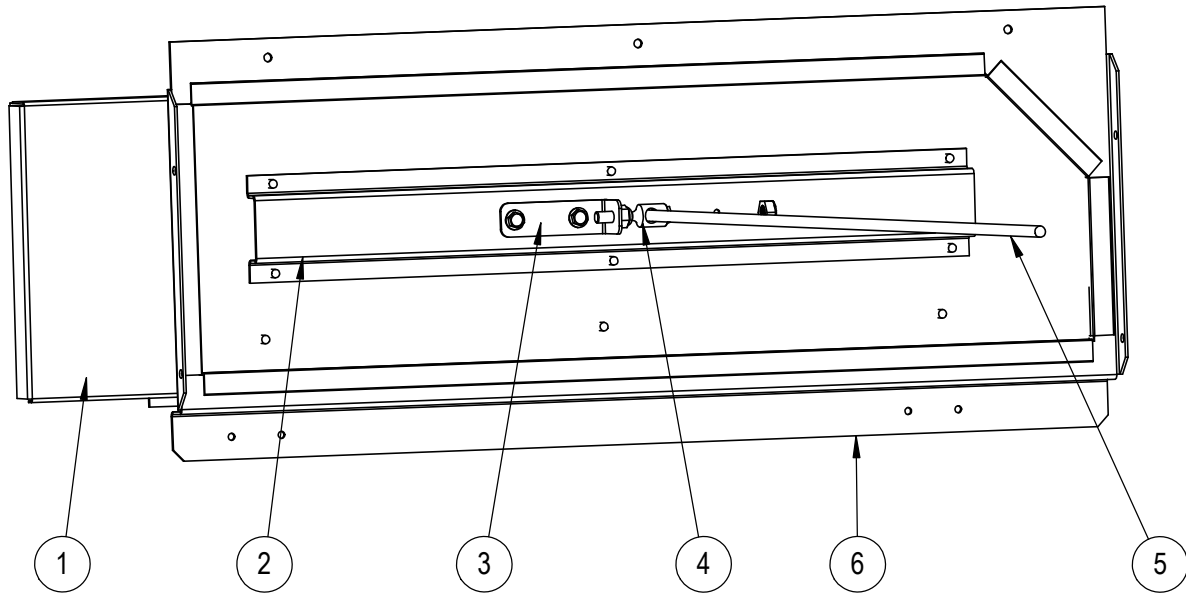


Climate Control Solutions

Bard Manufacturing Company, Inc.
Bryan, Ohio 43506
www.bardhvac.com

Manual: 2110-1148A
Supersedes: 2110-1148
Date: 12-22-23

LEFT INTAKE BLADE ASSEMBLY

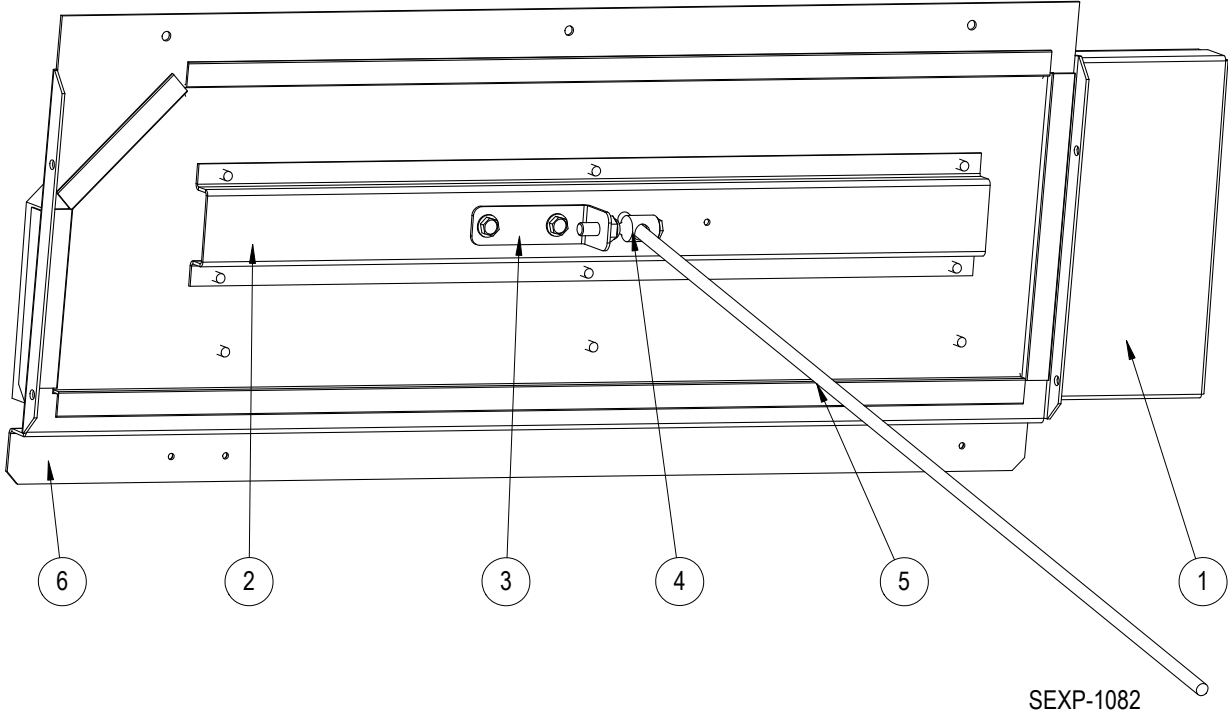


SEXP-1081

LEFT INTAKE BLADE ASSEMBLY

Drawing No.	Part No.	Description	All Vents
1	539Y464BX	Left Intake Blade	x
2	141-568BX	Intake Blade Support	x
3	113-772BX	Ball Joint Bracket	x
4	8602-008	Ball Joint	x
5	8602-119	25" Rod	x
6	537Y1019BX	Left Econ Intake Partition	x
NS	5400-010	Metal Leaf Hinge	2

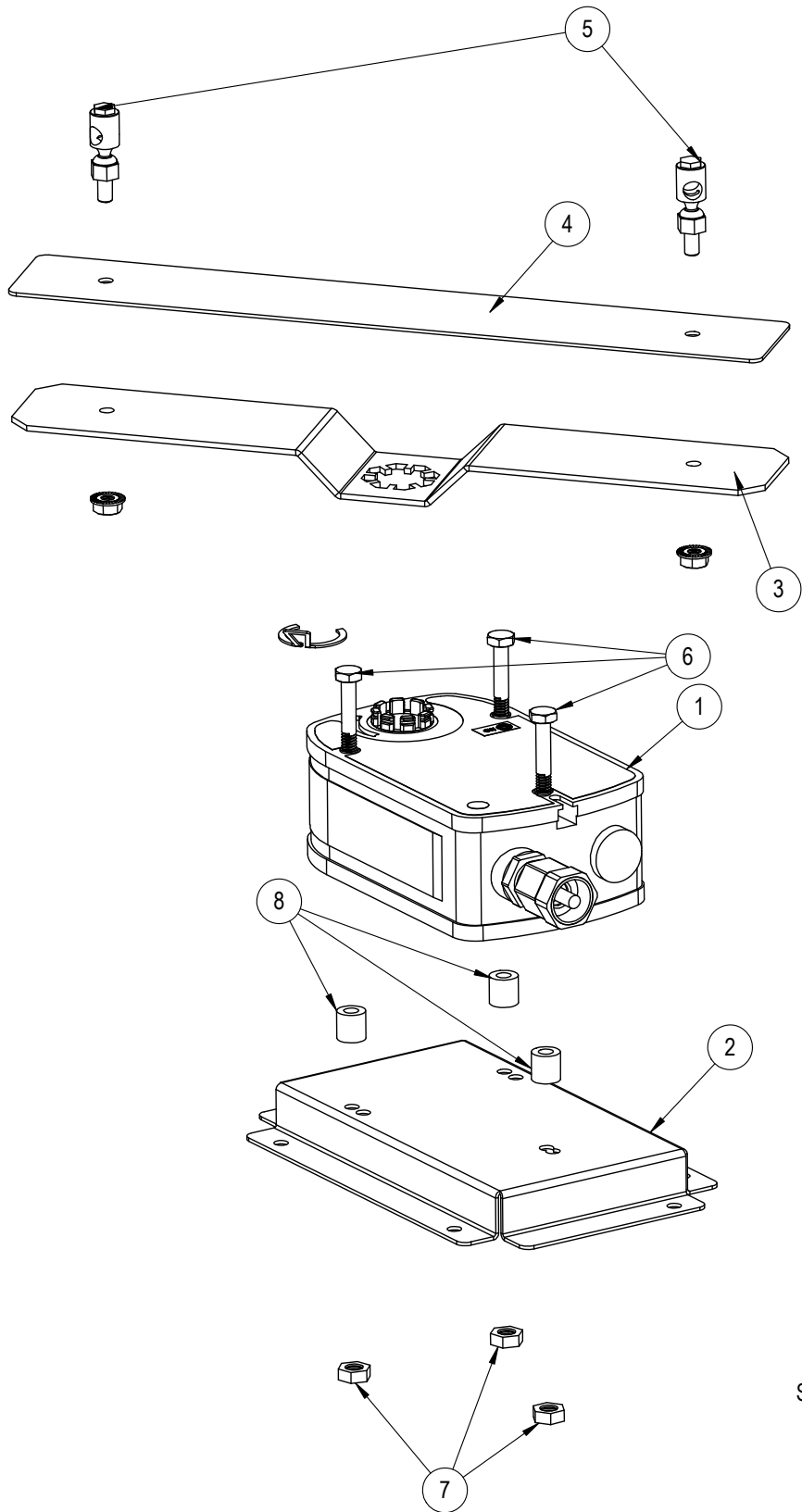
RIGHT INTAKE BLADE ASSEMBLY



RIGHT INTAKE BLADE ASSEMBLY

Drawing No.	Part No.	Description	All Vents
1	539X464BX	Right Intake Blade	x
2	141-568BX	Intake Blade Support	x
3	113-772BX	Ball Joint Bracket	x
4	8602-008	Ball Joint	x
5	8602-119	25" Rod	x
6	537X1019BX	Right Econ Intake Partition	x
NS	5400-010	Metal Leaf Hinge	2

INTAKE ACTUATOR ASSEMBLY

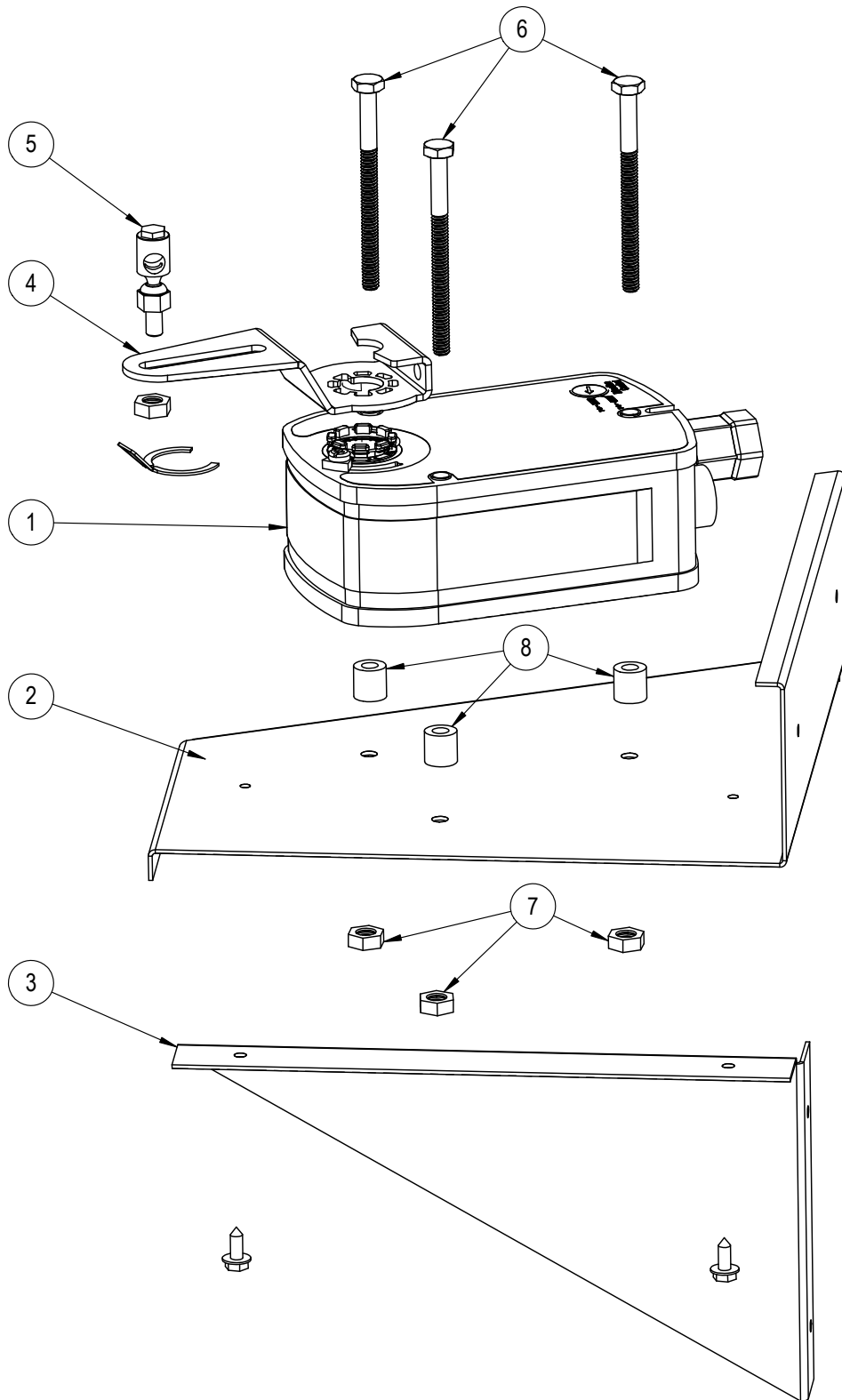


SEXP-1083

INTAKE ACTUATOR ASSEMBLY

Drawing No.	Part No.	Description	CRV and ECON (No Control)	ECON
1	8602-075BX	Actuator	X	
1	8602-059BX	Actuator		X
2	141-495BX	Actuator Plate	X	X
3	139-463BX	Actuator Arm	X	
3	139-465BX	Actuator Arm		X
4	141-567BX	Actuator Arm Support	X	X
5	8602-008	Ball Joint	2	2
6	1012-174	1/4" -20 X 3-1/4 Hex Cap Screw	3	3
7	1012-201	1/4-20 Steel keps Hex Nut	3	3
8	5451-029	Nylon Sleeve .257" ID X .5" Long	3	3
NS	3000-1623BX	Actuator Harness		X

EXHAUST ACTUATOR ASSEMBLY

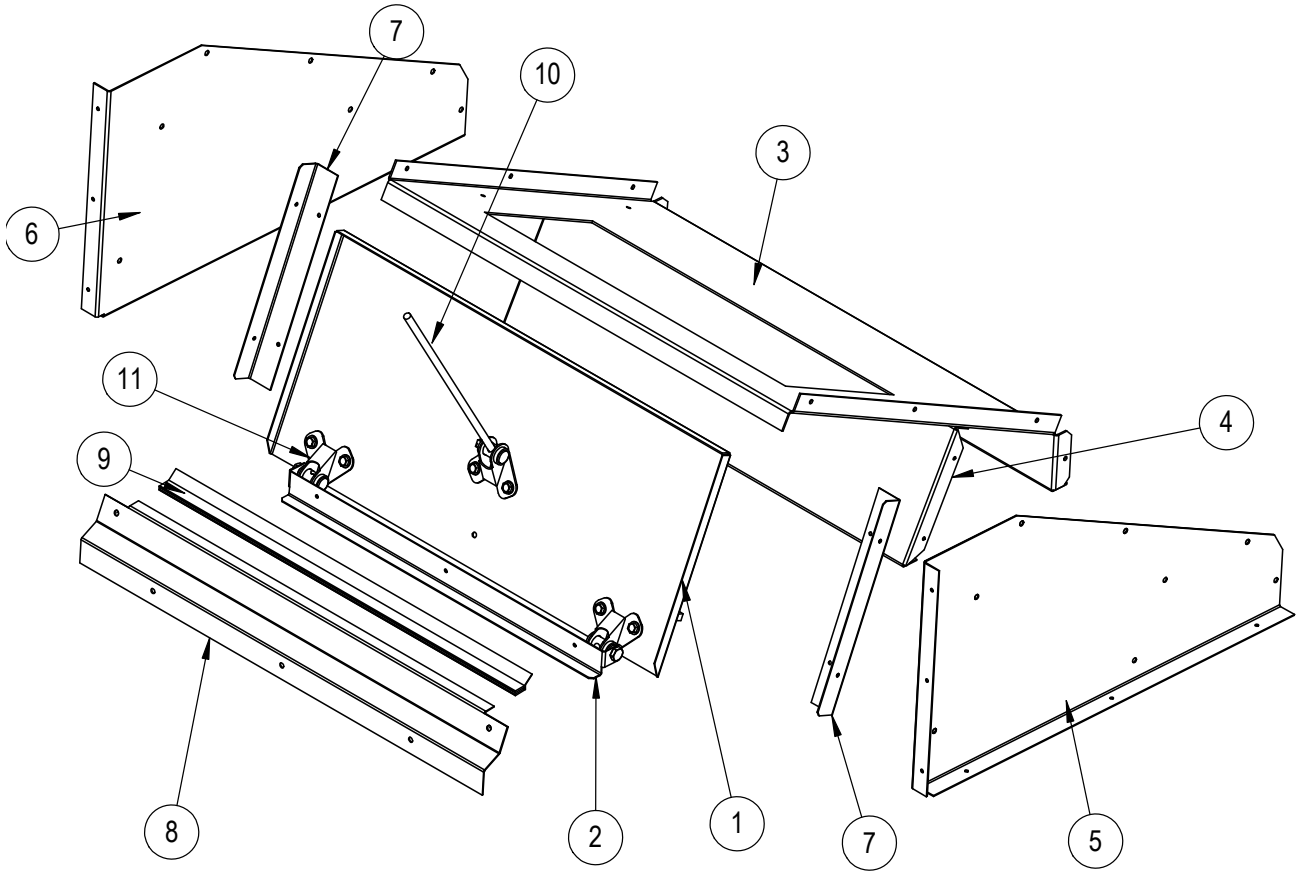


SEXP-1080

EXHAUST ACTUATOR ASSEMBLY

Drawing No.	Part No.	Description	All Vents
1	8602-118BX	Actuator	X
2	141-565BX	Actuator Plate	X
3	141-566BX	Actuator Support Plate	X
4	8602-078BX	Actuator Arm	X
5	8602-008	Ball Joint	X
6	1012-174	1/4" -20 X 3-1/4 Hex Cap Screw	3
7	1012-201	1/4-20 Steel Keps Hex Nut	3
8	5451-029	Nylon Sleeve .257" ID X .5" Long	3

EXHAUST DUCT ASSEMBLY

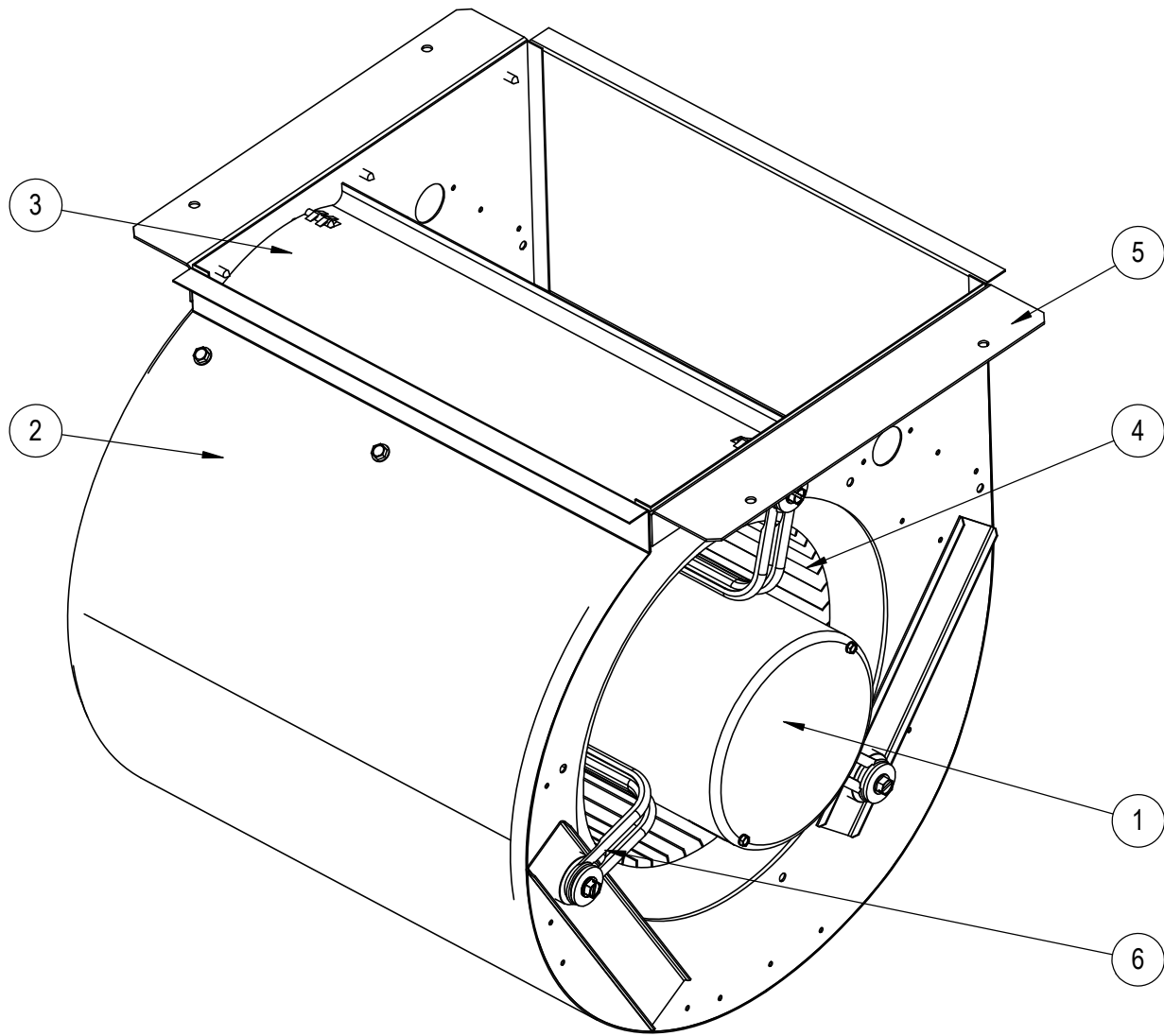


SEXP-1078

EXHAUST DUCT ASSEMBLY

Drawing No.	Part No.	Description	All Vents
1	539-462BX	Exhaust Blade	x
2	113-954BX	Damper Pivot Bracket	x
3	141-564BX	Blower Support	x
4	113-955BX	Air Deflector	x
5	101X1148BX	Duct Right Side	x
6	101Y1148BX	Duct Left Side	x
7	105-1529BX	Side Angle	2
8	113-952BX	Damper Seal Brackets	1
9	1921-067-1700	17" Damper Seal	x
10	8602-083	10" Rod	x
11	8602-040	Hinge	3
NS	113-972BX	Exhaust Blade Support	x
NS	1012-348	Nylon Washer	2
NS	1012-343	1/4-28 Bolt	2

BLOWER ASSEMBLY



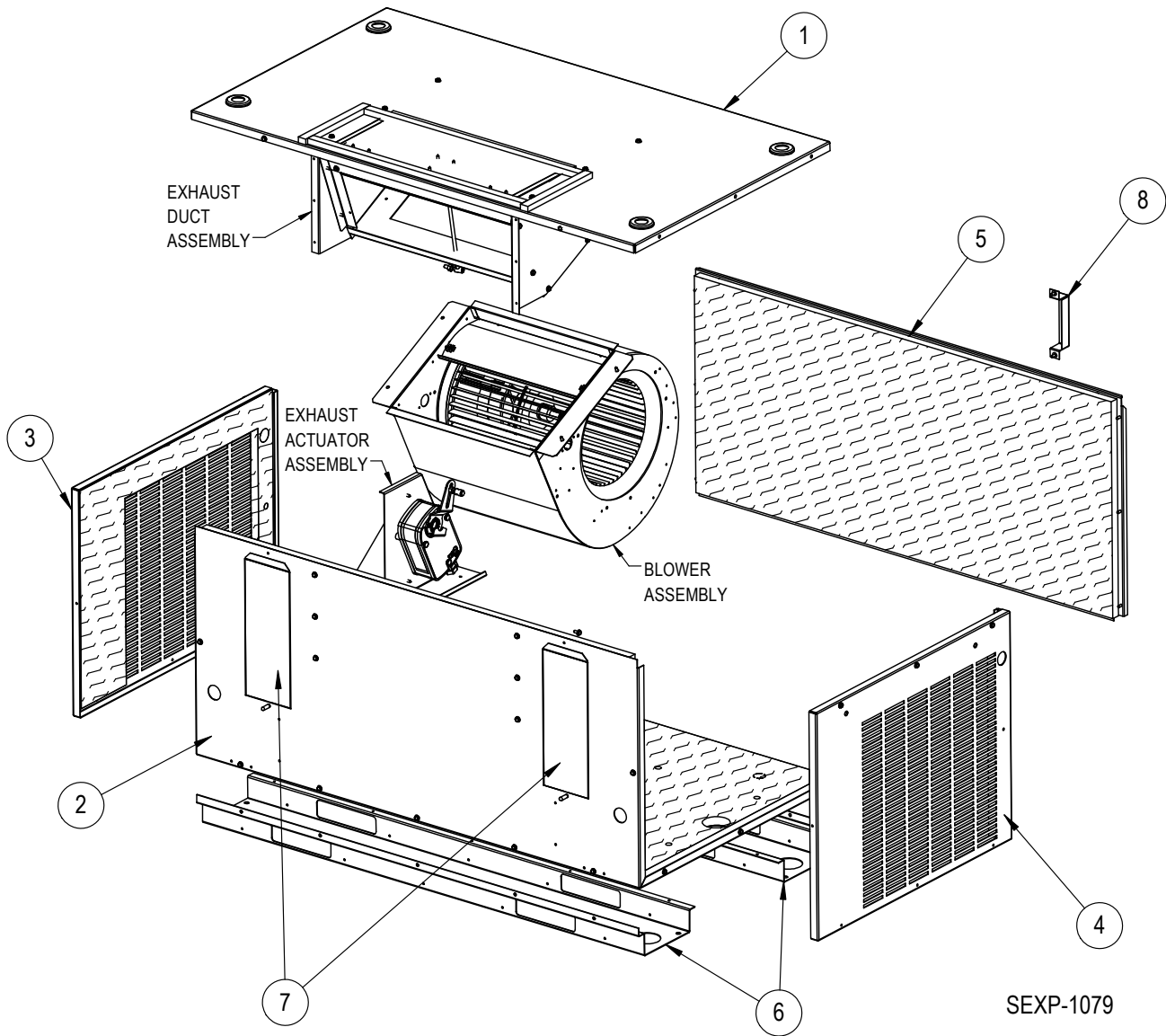
SEXP-1084

BLOWER ASSEMBLY

900-399-0243BX

Drawing No.	Part No.	Description	
1	8106-072-0243BX	Blower Motor and Control (230/208V)	X
2	151-128BX	Housing	X
3	144-210BX	Diffuser	X
4	5152-061BX	Wheel	X
5	104-1530BX	Side Angle	2
6	8200-036	Motor Mount Leg	3
NS	8200-033	Motor Mount Band	X
NS	3000-1331BX	Power Harness	X
NS	910-2187BX	Low Voltage Harness	X

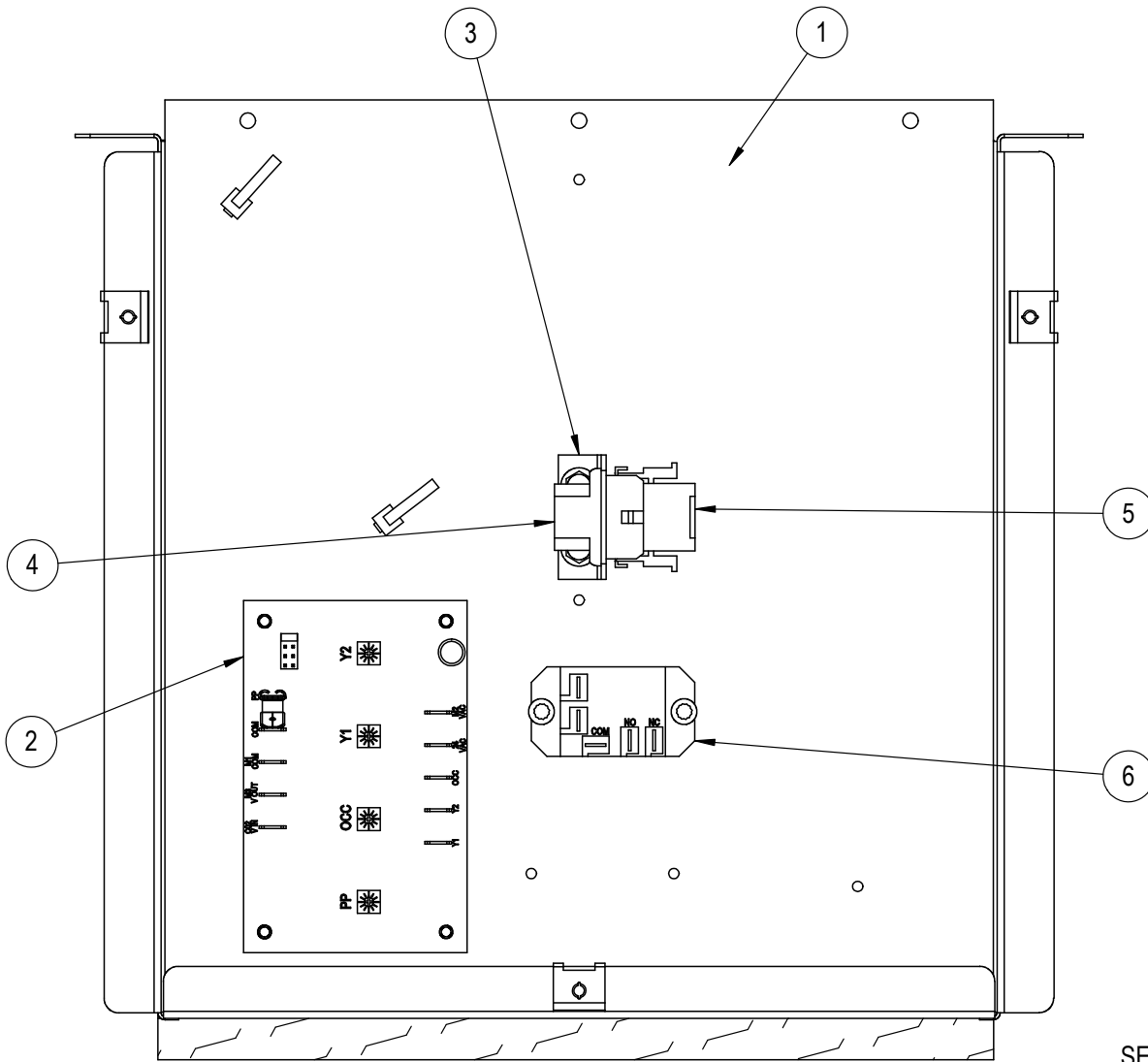
VENT BOX ASSEMBLY



VENT BOX ASSEMBLY

Drawing No.	Part No.	Description	All Vents
1	507-414BX	Top	X
2	527-620BX	Base	X
3	501-1146BX	Right Side	X
4	501-1147BX	Left Side	X
5	553-765BX	Vent Door	X
6	141-478BX	Base Rail	2
7	543-158BX	Drain Access Plate	2
8	113-441BX	Door Latch Bracket	X
NS	3000-1741	Vent Box Harness	X

CONTROL PANEL ASSEMBLY – CRV/ECON (NC)

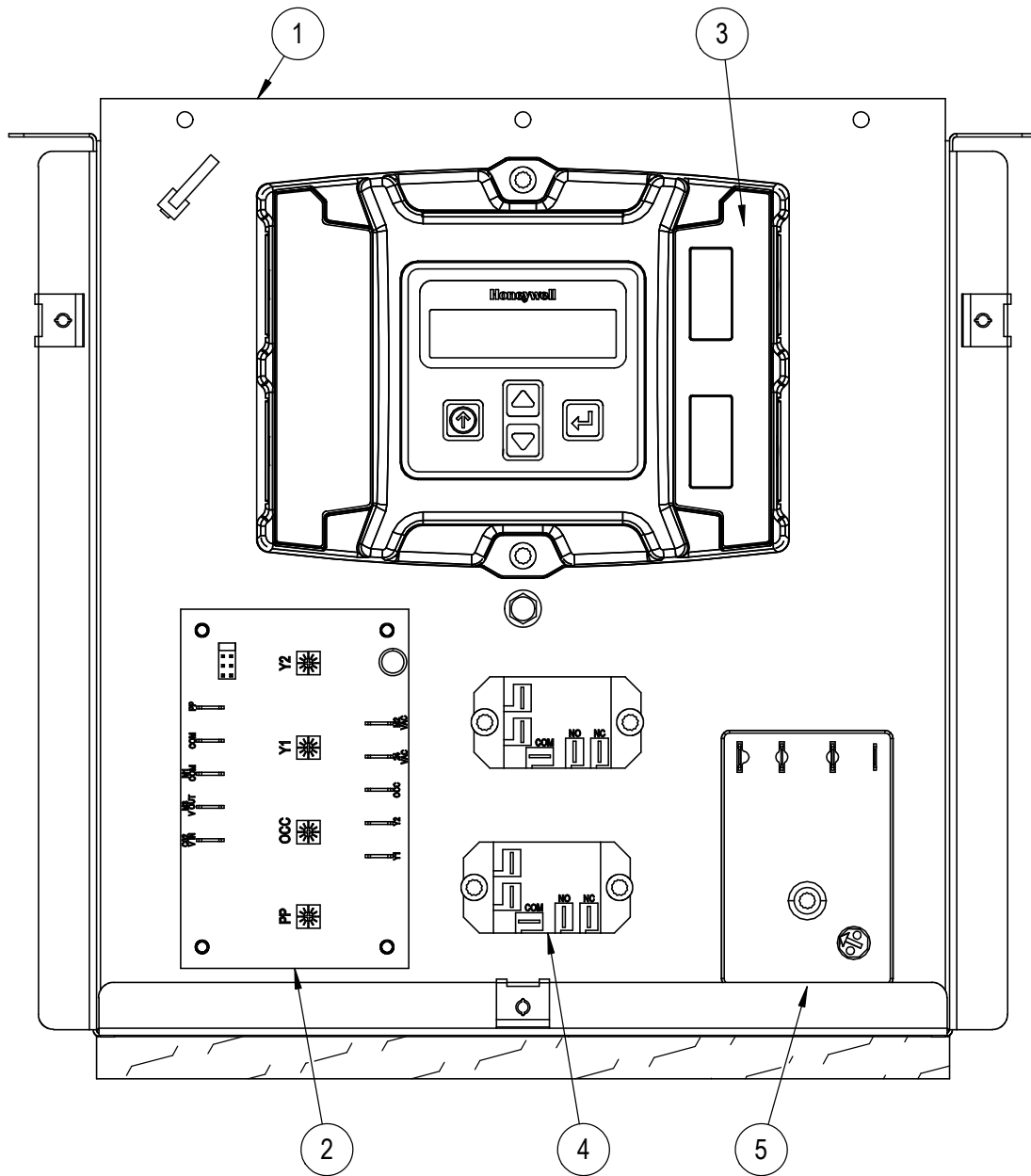


SEXP-1085

CONTROL PANEL ASSEMBLY – CRV/ECON (NC)

Drawing No.	Part No.	Description	CRV	ECON (No Control)
1	117-450BX	Vent Control Box	X	X
2	8201-167BX	CRV Control Board	X	
3	141-443BX	Plug Support Bracket	X	X
4	3000-1745BX	Voltage Divide Female Plug	X	X
5	3000-1746BX	Voltage Divide Male Plug	X	X
6	8201-130BX	Relay	X	
NS	3000-1742BX	Actuator and Blower Harness	X	X
NS	3000-1744BX	12-Pin Vent Harness	X	
NS	3000-1447BX	12-Pin Vent Harness		X

CONTROL PANEL ASSEMBLY – ECON (DB)/ECON (WB)



SEXP-1086

CONTROL PANEL ASSEMBLY – ECON (DB)/ECON (WB)

Drawing No.	Part No.	Description	ECON (Dry Bulb)	ECON (Enthalpy Bulb)
1	117-450BX	Vent Control Box	X	X
2	8201-167BX	CRV Control Board	X	X
3	8602-056-0007BX	Programmed Economizer Module	X	X
4	8201-130BX	Relay	2	2
5	8201-152BX	Exhaust Off Delay Relay	X	X
NS	3000-1742BX	Actuator and Blower Harness	X	X
NS	3003-125BX	12-Pin Vent Harness	X	X
NS	3000-140BX	Vent Harness		X
NS	3000-143BX	Vent Harness	X	
NS	910-2224BX	Sensor Assembly (Indoor)	X	X
NS	910-2225BX	Sensor Assembly (Outdoor)		X
NS	910-2226BX	Sensor Assembly (Outdoor)	X	