
REPLACEMENT PARTS MANUAL

Economizer

Models:

ECON-S2 ECON-S3

General Notes

- Revised and/or additional pages may be issued from time to time.
- A complete and current manual consists of pages shown in the following contents section.

Important

- Contact the installing and/or local Bard distributor for all parts requirements. Make sure to have the complete model and serial number available from the unit rating plates.

Contents

Description	Page
ECONS-2, ECONS-3 Economizer	
♦ Exploded View	2
♦ Usage List	3
Blade Assembly	
♦ Exploded View	4
♦ Usage List	5
Control Panel Assembly	
♦ Layout View	6
♦ Usage List	7
Actuator Assembly	
♦ Exploded View	8
♦ Usage List	9

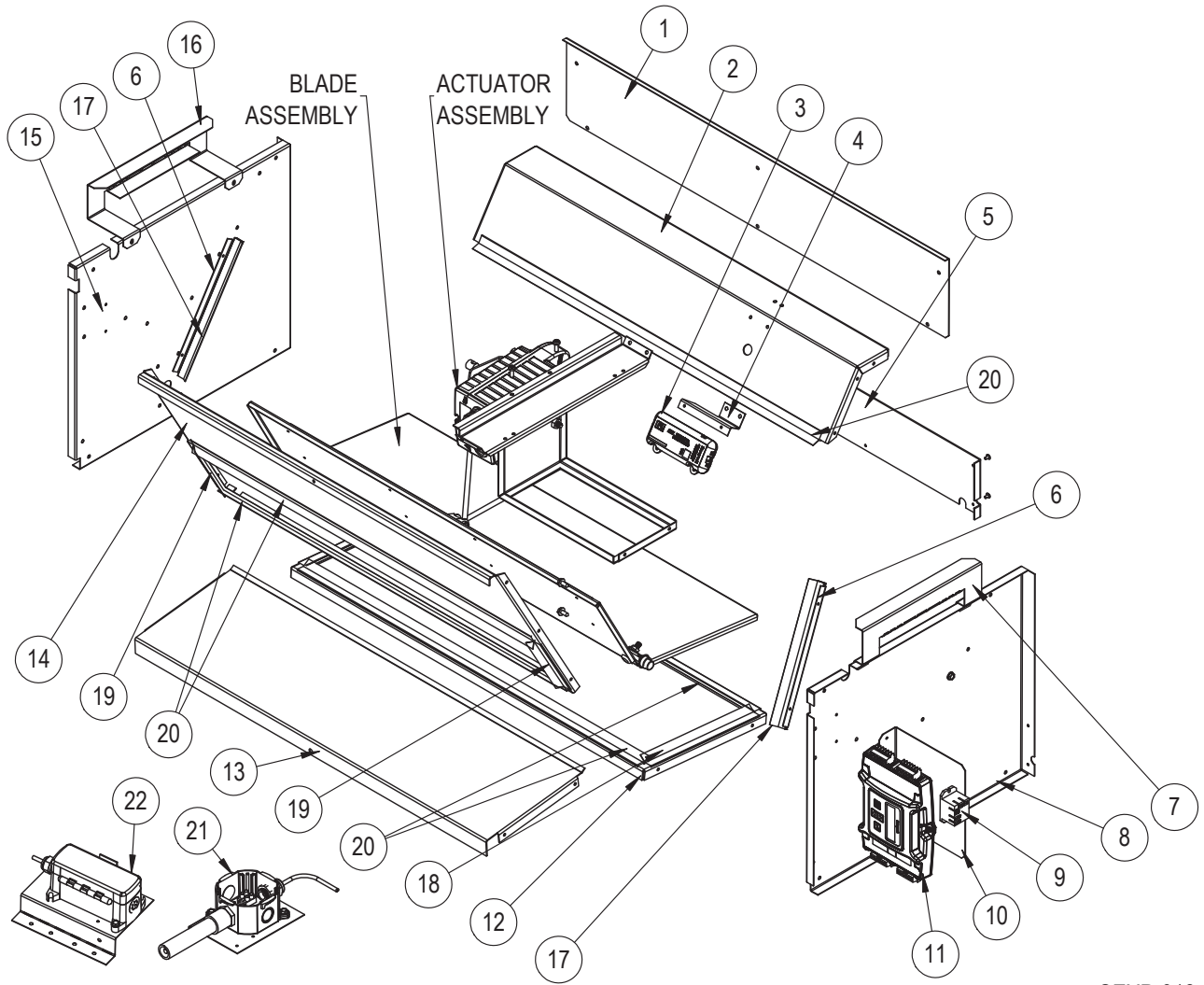


Climate Control Solutions

Bard Manufacturing Company, Inc.
Bryan, Ohio 43506
www.bardhvac.com

Manual: 2110-1131
Supersedes: **NEW**
Date: 3-1-19

ECONS-2, ECONS-3 ECONOMIZER



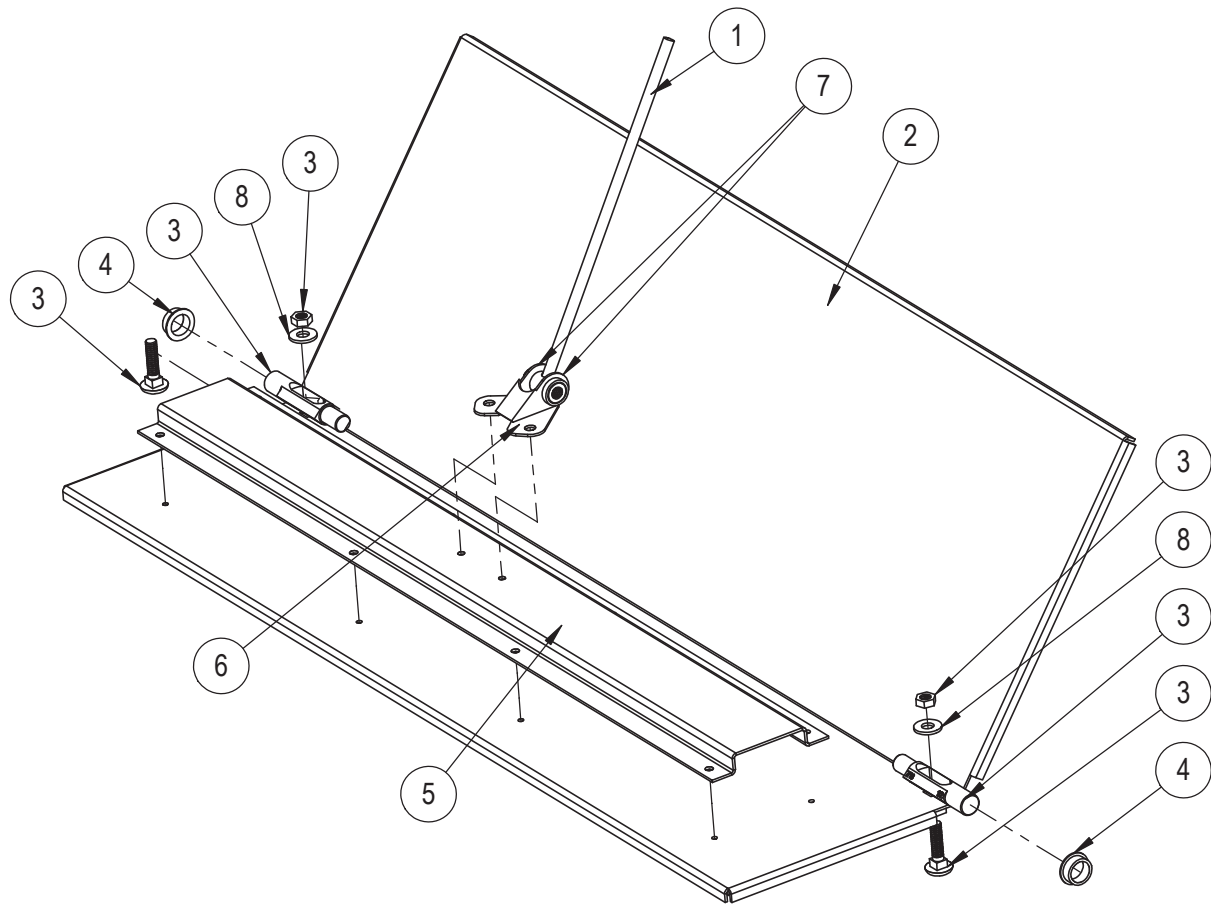
SEXP-913

ECONS-2, ECONS-3 ECONOMIZER

Drawing No.	Part No.	Description	ECON-S2	ECON-S3
1	137-748	Upper Rear Fill	X	
1	137-746	Upper Rear Fill		X
2	137-864	Upper Rear Partition	X	
2	137-935	Upper Rear Partition		X
3	8602-058	Temperature Sensor	X	X
4	113-433	Temperature Sensor Bracket	X	X
5	137-874	Lower Rear Fill	X	
5	137-873	Lower Rear Fill		X
6	105-1344	Blade Seal Angle	2	2
7	113-543	Short Filter Bracket	X	X
8	101X955	Right Side	X	X
9	8201-130	Relay, SPDT Pilot Duty	X	X
10	113-801	Right/Left Jade Module Plate	X	X
11	S8602-056-0003A	Programmed Economizer Module	X	X
12	137-744	Lower Rear Partition	X	
12	137-740	Lower Rear Partition		X
13	137-869	Lower Front Partition	X	
13	137-829	Lower Front Partition		X
14	137-868	Upper Front Partition	X	
14	137-828	Upper Front Partition		X
15	101Y955	Left Side	X	X
16	113-542	Long Filter Bracket	X	X
17	1921-067-0800	8" Damper Blade Seal	2	2
18	1921-067-0802	8-1/8" Damper Blade Seal	2	2
19	1921-067-0410	4-5/8" Damper Blade Seal	2	2
20	1921-067-2006	20-3/8" Damper Blade Seal	4	
20	1921-067-2504	25-1/4" Damper Blade Seal		4
21	910-1937	Outdoor Temperature Sensor Assembly	X	X
22	910-1938	Outdoor Enthalpy Sensor Assembly	X	X
NS	7003-075	Mist Filter		X
NS	7003-076	Mist Filter	X	

NS – Not Shown

BLADE ASSEMBLY

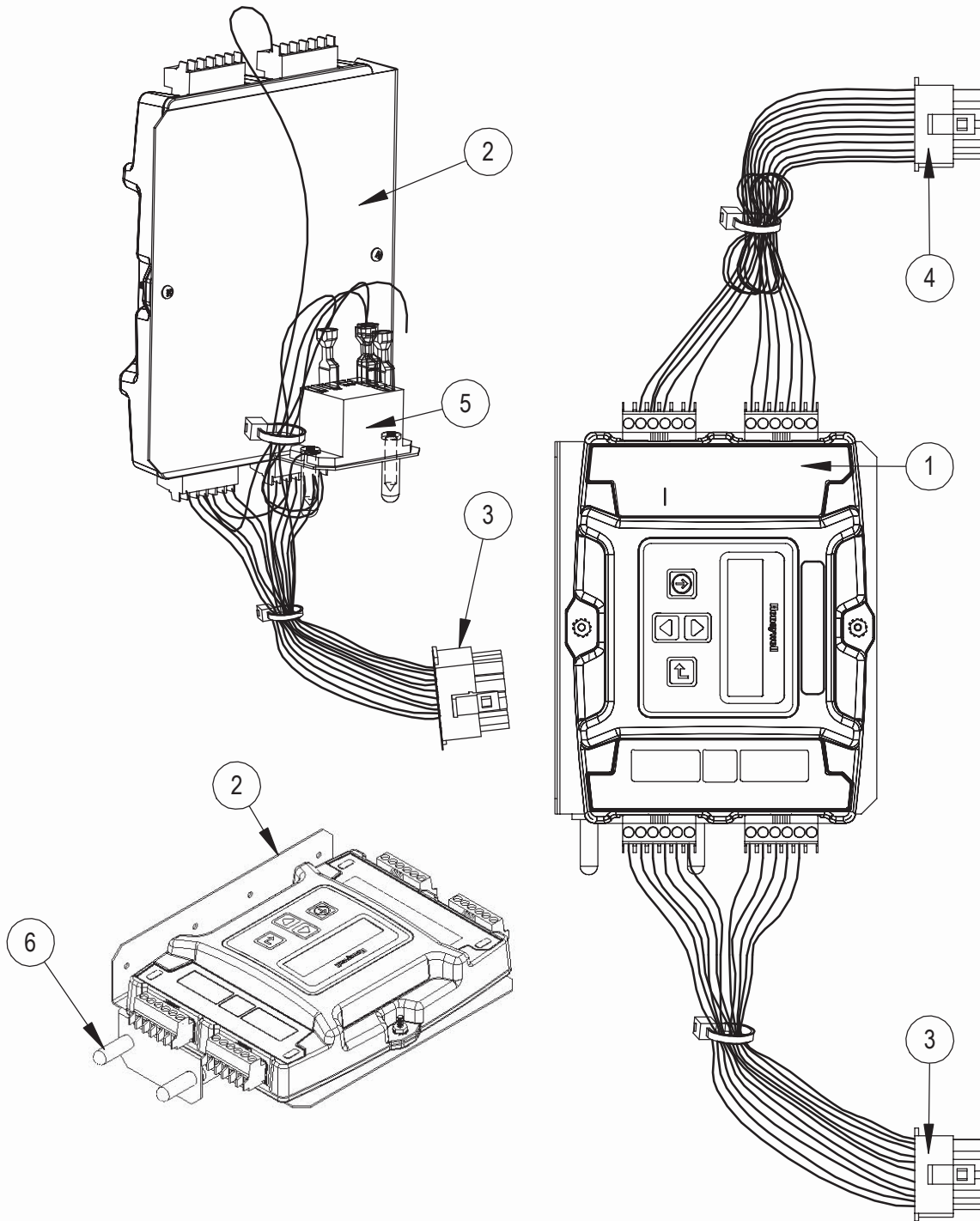


SEXP-920

BLADE ASSEMBLY

Drawing No.	Part No.	Description	ECON-S2	ECON-S3
1	8602-044	1/4 X 7-1/2" Rod	X	X
2	139-355	Blade	X	
2	139-352	Blade		X
3	8602-038	Damper Pin with Hardware	2	2
4	8602-052	1/2" I.D. Bronze Bushing	2	2
5	141-433	Blade Support	X	
5	141-430	Blade Support		X
6	8602-040	BKP-24 Bracket	X	X
7	1012-348	Nylon Flat Washer	2	2
8	1012-157	Washer	2	2

CONTROL PANEL ASSEMBLY

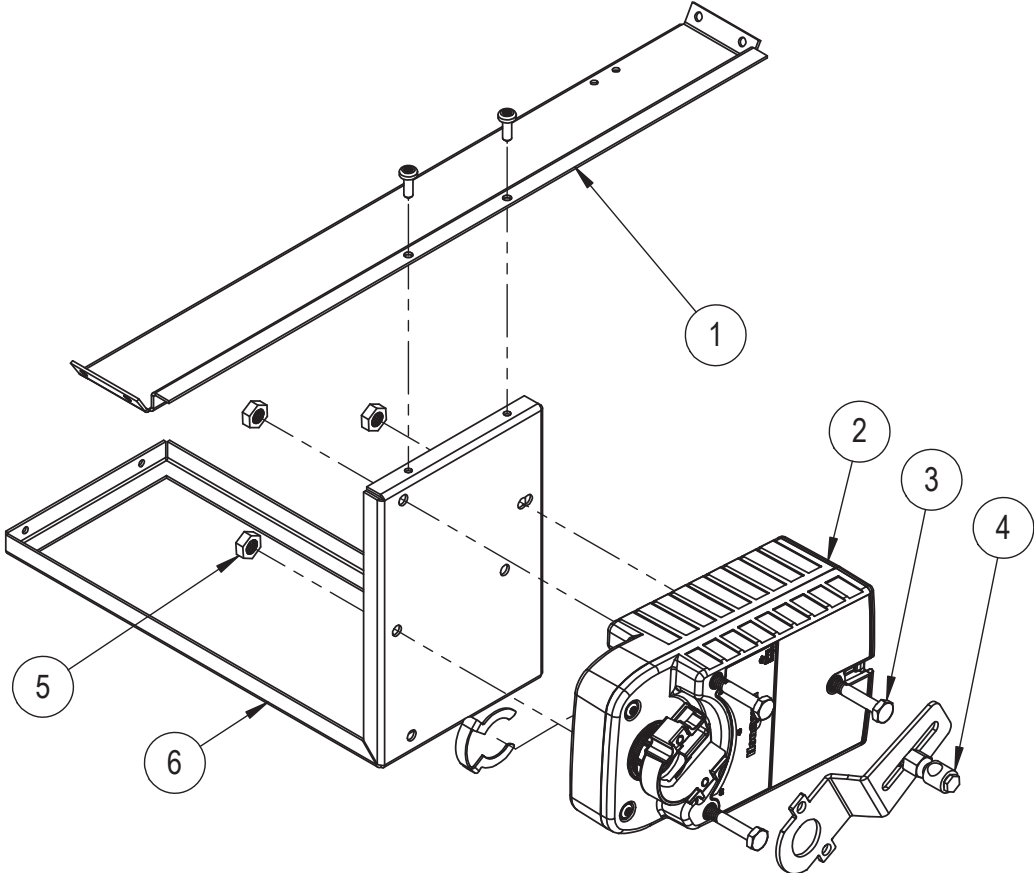


SEXP-953

CONTROL PANEL ASSEMBLY

Drawing No.	Part No.	Description	ECON-S2	ECON-S3
1	8602-056-0003A	Programmed Economizer Module	X	X
2	113-801	Right/Left Jade Module Plate	X	X
3	3000-1523	Wire Assembly	X	X
4	3000-1647	Wire Assembly	X	X
5	8201-130	Relay, SPDT Pilot Duty	X	X
6	5816-017	Vinyl Cap	X	X

ACTUATOR ASSEMBLY



SEXP-919

ACTUATOR ASSEMBLY

Drawing No.	Part No.	Description	ECON-S2	ECON-S3
1	141-464	Actuator Support	X	X
2	8602-079	Actuator Motor with Crank Arm	X	X
3	1012-174	1/4"-20X3 -1/4 Hex Screw	3	3
4	8602-008	Ball Joint	X	X
5	1012-201	1/4-20 Hex Nut	3	3
6	141-465	Actuator Mount	X	
6	141-466	Actuator Mount		X
NS	1012-128	10-16X5/8" Torx PANHD Platinum	2	2

NS – Not Shown