
REPLACEMENT PARTS MANUAL

Fresh Air Damper with Barometric Exhaust (FAD-BE5) and without Barometric Exhaust (FAD-NE5)

General Notes

- Revised and/or additional pages may be issued from time to time.
- A complete and current manual consists of pages shown in the following contents section.

Important

- Contact the installing and/or local Bard distributor for all parts requirements. Make sure to have the complete model and serial number available from the unit rating plates.

Contents

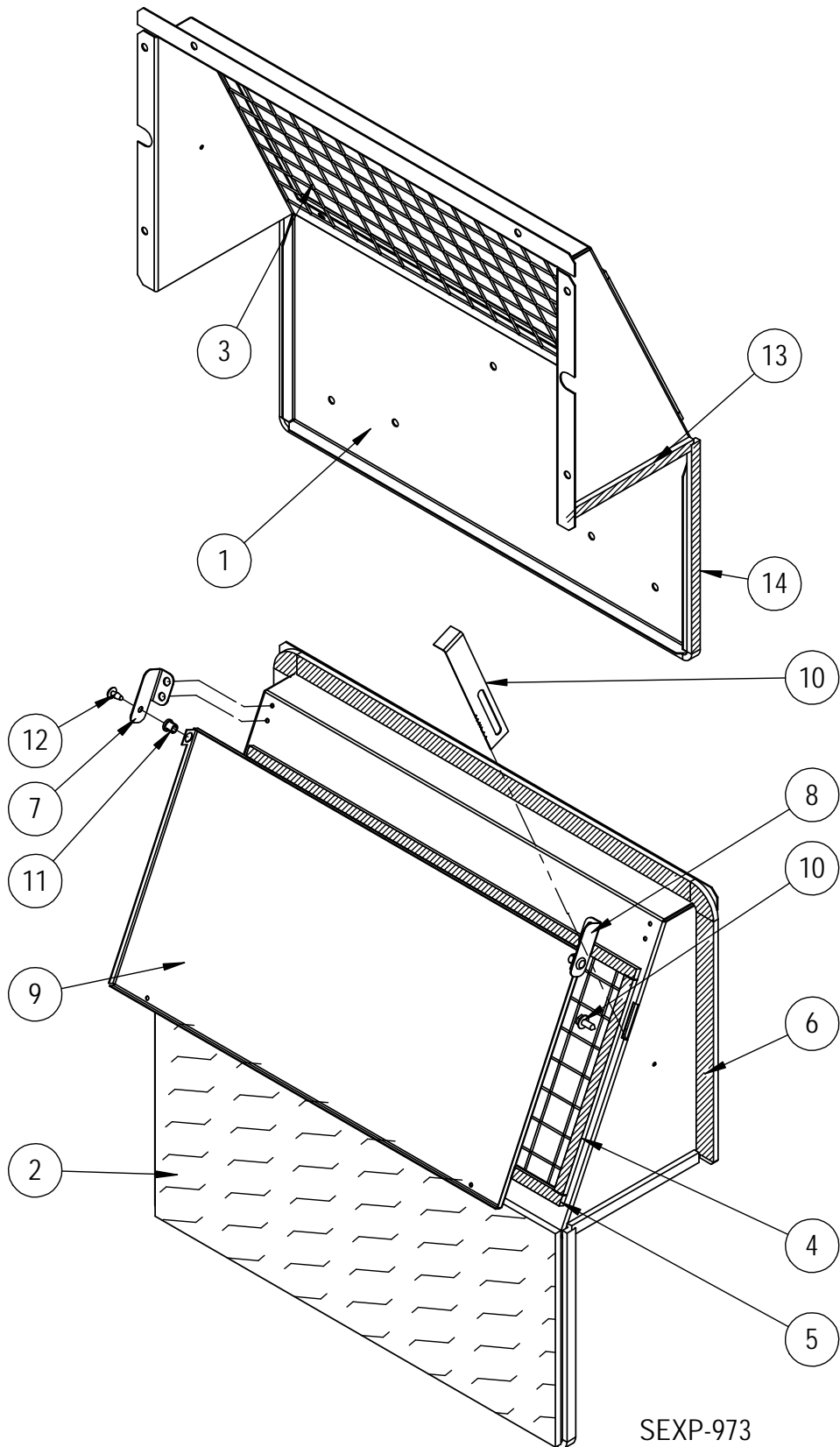
Description	Page
Fresh Air Damper Assembly	
♦ Exploded View	2
♦ Usage List	3
Barometric Exhaust	
♦ Exploded View	4
♦ Usage List	5



Bard Manufacturing Company, Inc.
Bryan, Ohio 43506
www.bardhvac.com

Manual: 2110-1127A
Supersedes: 2110-1127
Date: 7-24-19

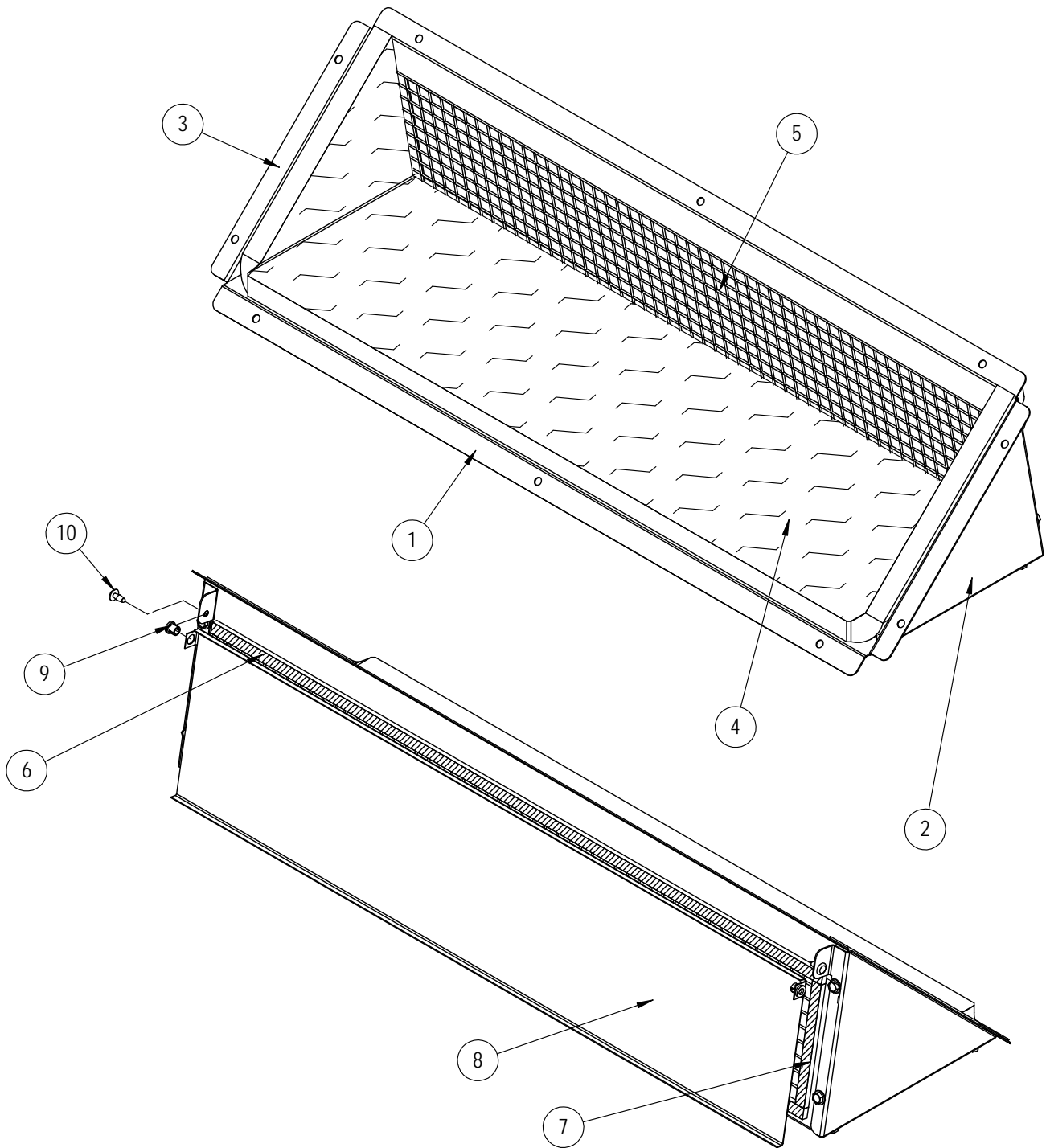
FRESH AIR DAMPER ASSEMBLY



FRESH AIR DAMPER ASSEMBLY

Drawing No.	Part No.	Description	FAD-BE5	FAD-NE5
1	139-406	INTAKE FAD PLATE	1	1
2	5021-2537A	INSULATION	1	1
3	7002-027-1700	17" SCREEN MEDIA	1	1
4	1913-079-1612	16-3/4" SFO W/PSA .197 X .375	2	2
5	1913-079-0704	7-1/4" SFO W/PSA .197 X .375	2	2
6	1913-131-3500	35" SFO PSA .197 X .75	1	1
7	139X409	DAMPER MOUNTING BRACKET - RH	1	1
8	139Y409	DAMPER MOUNTING BRACKET - LH	1	1
9	139-407	DAMPER BLADE	1	1
10	139-408	FAD ADJUSTMENT BRACKET	1	1
11	8611-057	BUSHING 3/16 312-3	2	2
12	8611-059	CANOE CLIP	2	2
13	1913-079-0508	5-1/2" SFO W/PSA .197 X .375	2	2
14	1913-079-3108	31-1/2" SFO W/PSA .197 X .375	1	1

BAROMETRIC EXHAUST



SEXP-974

BAROMETRIC EXHAUST

Drawing No.	Part No.	Description	FAD-BE5
1	139-410	EXHAUST WRAPPER	1
2	139Y412	EXHAUST ENDPLATE - LH	1
3	139X412	EXHAUST ENDPLATE - RH	1
4	5021-2538	INSULATION	1
5	7002-028-2700	27" SCREEN MEDIA 6-1/2W 1/6 SQ	1
6	1913-079-2600	26" SFO W/PSA .197 X .375	2
7	1913-079-0404	4-1/4" SFO W/PSA .197 X .375	2
8	139-411	EXHAUST DAMPER BLADE	1
9	8611-057	BUSHING 3/16 312-3	2
10	8611-059	CANOE CLIP	2