

---

# REPLACEMENT PARTS MANUAL

---

## COMMERCIAL ROOM VENTILATOR W/PLUG-IN CONNECTION, SPRING RETURN AND EXHAUST

Models:

WCRVPS2    WCRVPS3    WCRVPS5

---

### General Notes

- Revised and/or additional pages may be issued from time to time.
- A complete and current manual consists of pages shown in the following contents section.

### Important

- Contact the installing and/or local distributor for all parts requirements. Make sure to have the complete model and serial number available from the unit rating plates.

### Contents

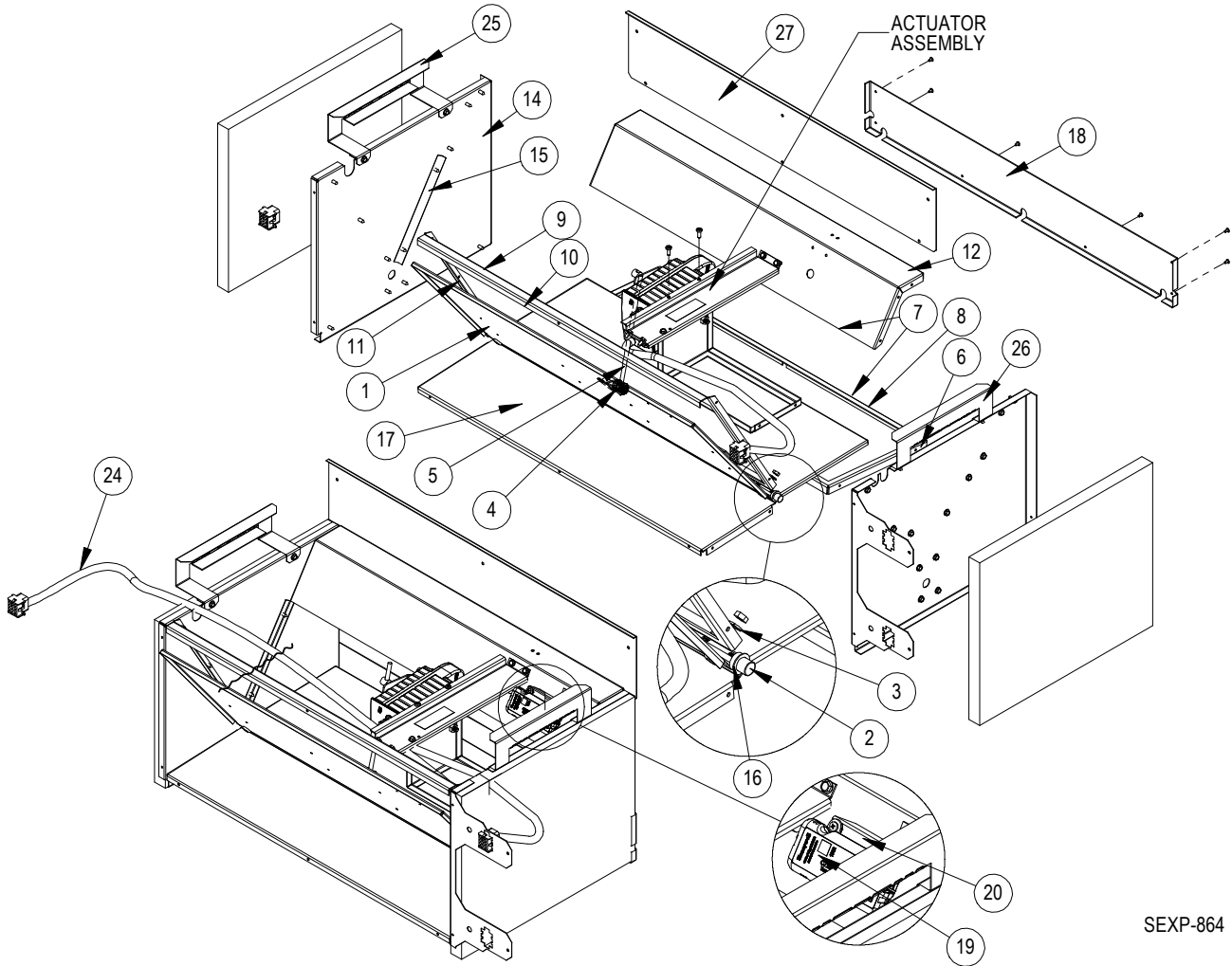
Description	Page
WCRVPS2, WCRVPS3 Commercial Room Ventilator	
♦ Exploded View .....	2
♦ Usage List .....	3
WCRVPS5 Commercial Room Ventilator	
♦ Exploded View .....	4
♦ Usage List .....	5
Control Panel Assembly	
♦ Exploded View .....	6
♦ Usage List .....	7
Actuator Assembly	
♦ Exploded View .....	8
♦ Usage List .....	9
Air Hood	
♦ Exploded View .....	10
♦ Usage List .....	11
♦ Usage List .....	12

---

BMC, Inc.  
Bryan, Ohio 43506

Manual:     2110-1125B  
Supersedes: 2110-1125A  
Date:       11-15-16

# WCRVPS2, WCRVPS3 COMMERCIAL ROOM VENTILATOR



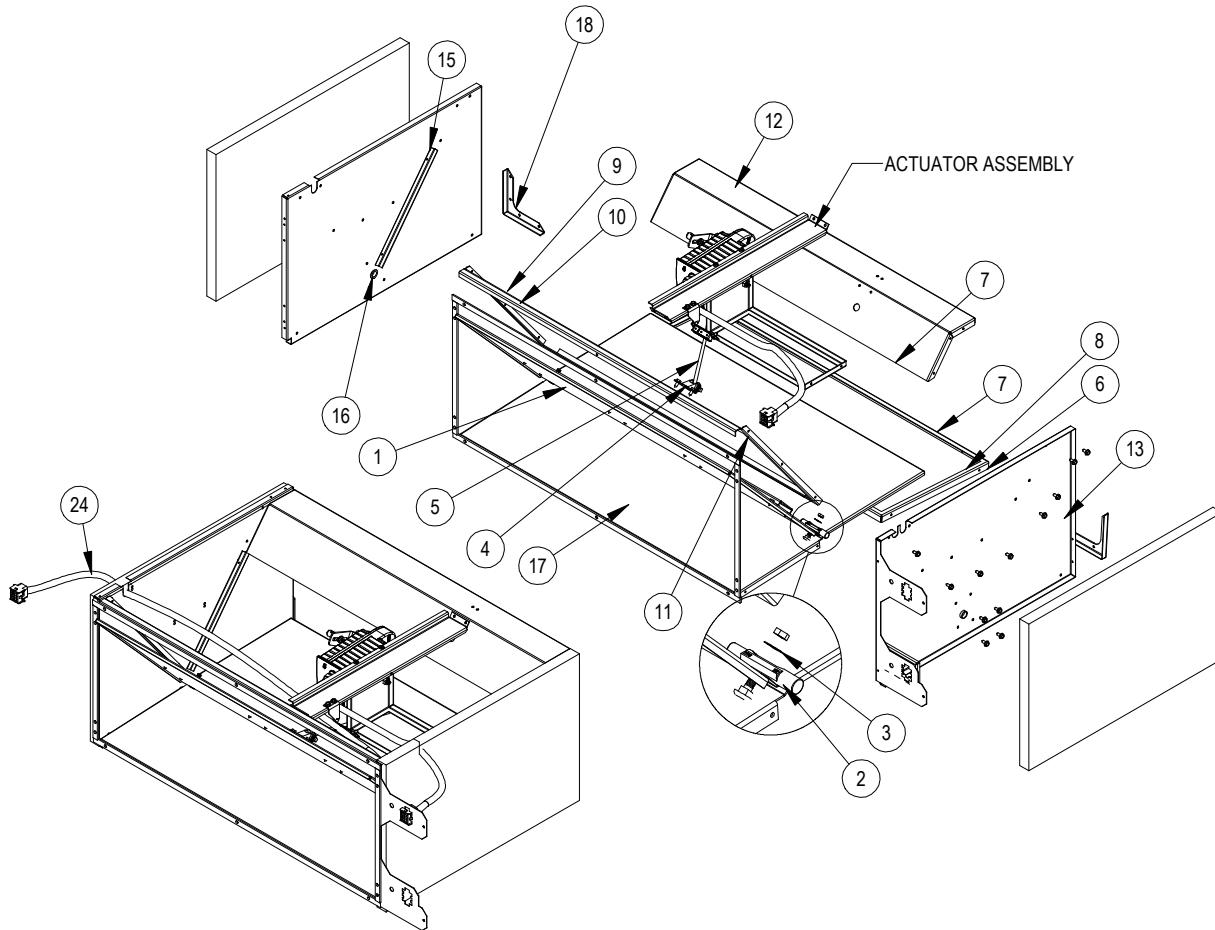
SEXP-864

## WCRVPS2, WCRVPS3 COMMERCIAL ROOM VENTILATOR

Drawing No.	Part No.	Description	WCRVPS2	WCRVPS3
1	S139-325	Blade Assembly	X	
1	S139-324	Blade Assembly		X
2	8602-038	DBP-1 Damper Pin with Bolt, Washer and Nut	2	2
3	1012-126	1/4" Type "A" Washer	2	2
4	8602-040	BKP-24 Bracket with Rod Connector and Set Screw	X	X
5	8602-044	1/4" x 7-1/2" Rod	X	X
6	137-744	Lower Rear Partition	X	
6	137-740	Lower Rear Partition		X
7	S1921-067-2010	Damper Blade Seal	3	
7	S1921-067-2510	Damper Blade Seal		3
8	S1921-067-0802	Damper Blade Seal	2	2
9	137-866	Upper Front Partition	X	
9	137-867	Upper Front Partition		X
10	S1921-067-2006	Damper Blade Seal	2	
10	S1921-067-2506	Damper Blade Seal		2
11	S1921-067-1004	Damper Blade Seal	2	2
12	137-864	Upper Rear Partition	X	
12	137-865	Upper Rear Partition		X
13	S101-990	Right Side Assembly, Insulated with Plug Brackets	X	X
14	S101-978	Left Side Assembly, Insulated	X	X
15	S1921-067-0800	Damper Blade Seal	2	2
16	8602-052	1/2" I.D. Bronze Bushing	2	2
17	137-742	Lower Front Partition	X	
17	137-738	Lower Front Partition		X
18	137-747	Lower Rear Fill	2	
18	137-745	Lower Rear Fill		2
23	3000-1525	Wire Assembly, Connection to Unit Low Voltage	X	X
24	3000-1526	Wire Assembly, "L" Model Left Hand Units Only	X	X
25	113-542	Long Filter Bracket	X	X
26	113-543	Short Filter Bracket	X	X
27	137-748	Upper Rear Fill	X	
27	137-746	Upper Rear Fill		X
NS	S136-664	Condenser Cover Plate	X	
NS	S136-751	Condenser Cover Plate		X
NS	4056-236	Wiring Diagram	X	X

NS = Not Shown

# WCRVPS5 COMMERCIAL ROOM VENTILATOR



SEXP-865

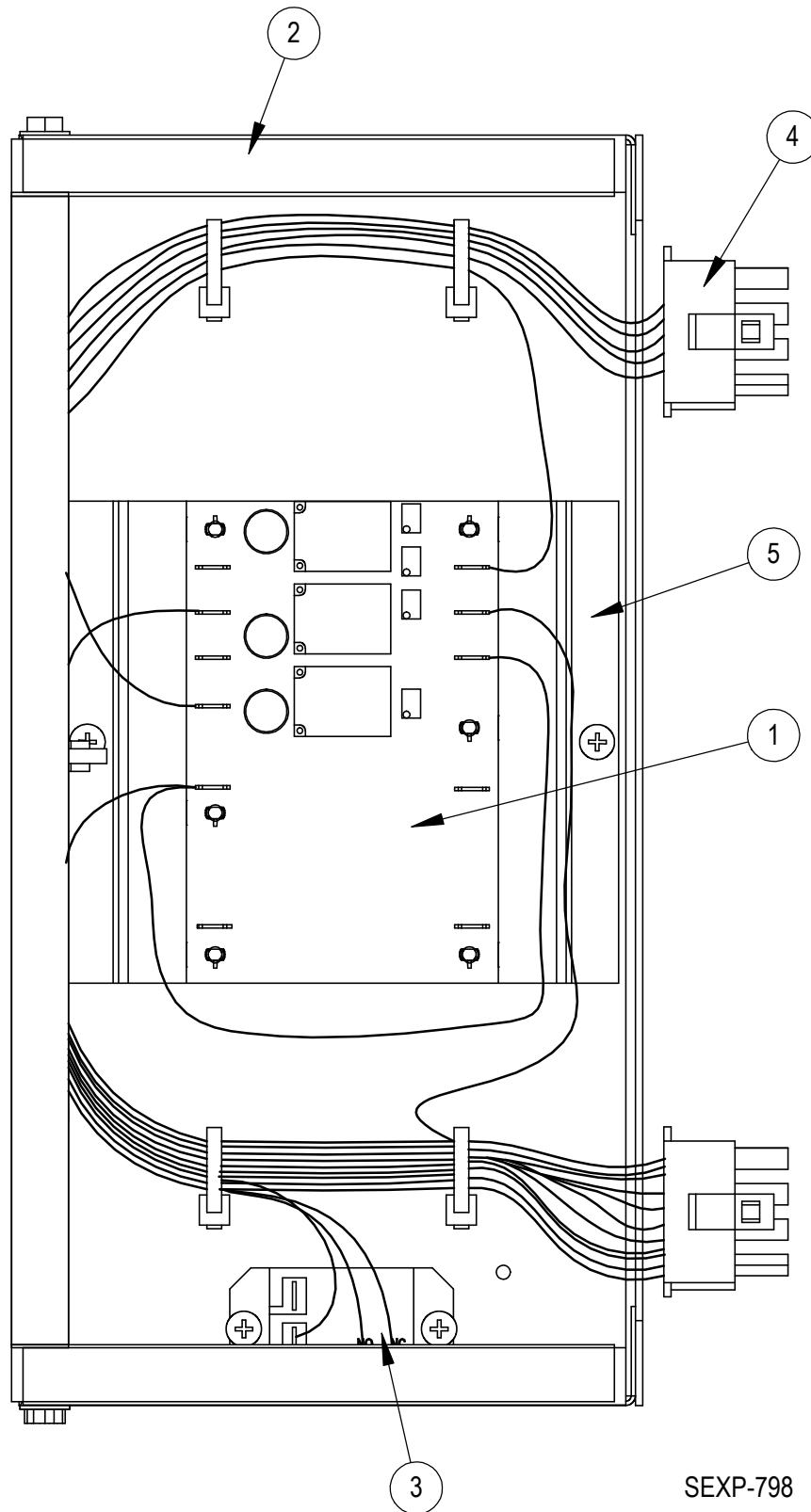
# WCRVPS5 COMMERCIAL ROOM VENTILATOR

Drawing No.	Part No.	Description	WCRVPS5
1	S139-323	Blade Assembly	X
2	8602-038	DBP-1 Damper Pin with Bolt, Washer and Nut	2
3	1012-126	1/4" Type "A" Washer	2
4	8602-040	BKP-24 Bracket	X
5	8602-077	1/4" x 9" Rod	X
6	137-736	Lower Rear Partition	X
7	S1921-067-2906	Damper Blade Seal	3
8	S1921-067-1011	Damper Blade Seal	2
9	137-870	Upper Front Partition	X
10	S1921-067-2909	Damper Blade Seal	2
11	S1921-067-1300	Damper Blade Seal	2
12	137-871	Upper Rear Partition	X
13	S101-980	Right Side Assembly, Insulated with Plug Brackets	X
14	S101Y981	Left Side Assembly, Insulated	X
15	S1921-067-1007	Damper Blade Seal	2
16	8602-052	1/2" I.D. Bronze Bushing	2
17	137-734	Lower Front Partition	X
18	113-526	Corner Bracket	2
23	3000-1525	Wire Assembly, Connection to Unit Low Voltage	X
24	3000-1526	Wire Assembly, "L" Model Left Hand Units Only	X
NS	S537-731	Condenser Cover Plate	X
NS	4056-236	Wiring Diagram	X

NS = Not Shown

# CONTROL PANEL ASSEMBLY

---



SEXP-798

# CONTROL PANEL ASSEMBLY

---

<b>Drawing No.</b>	<b>Part No.</b>	<b>Description</b>	<b>WCRVPS2</b>	<b>WCRVPS3</b>	<b>WCRVPS5</b>
1	8201-141	CRV Control Board	X	X	X
2	117-354	Control Panel	X	X	X
3	8201-130	Relay, SPDT Pilot Duty	X	X	X
4	3000-1528	Wire Assembly	X	X	X
5	113-609	Control Mounting Plate	X	X	X



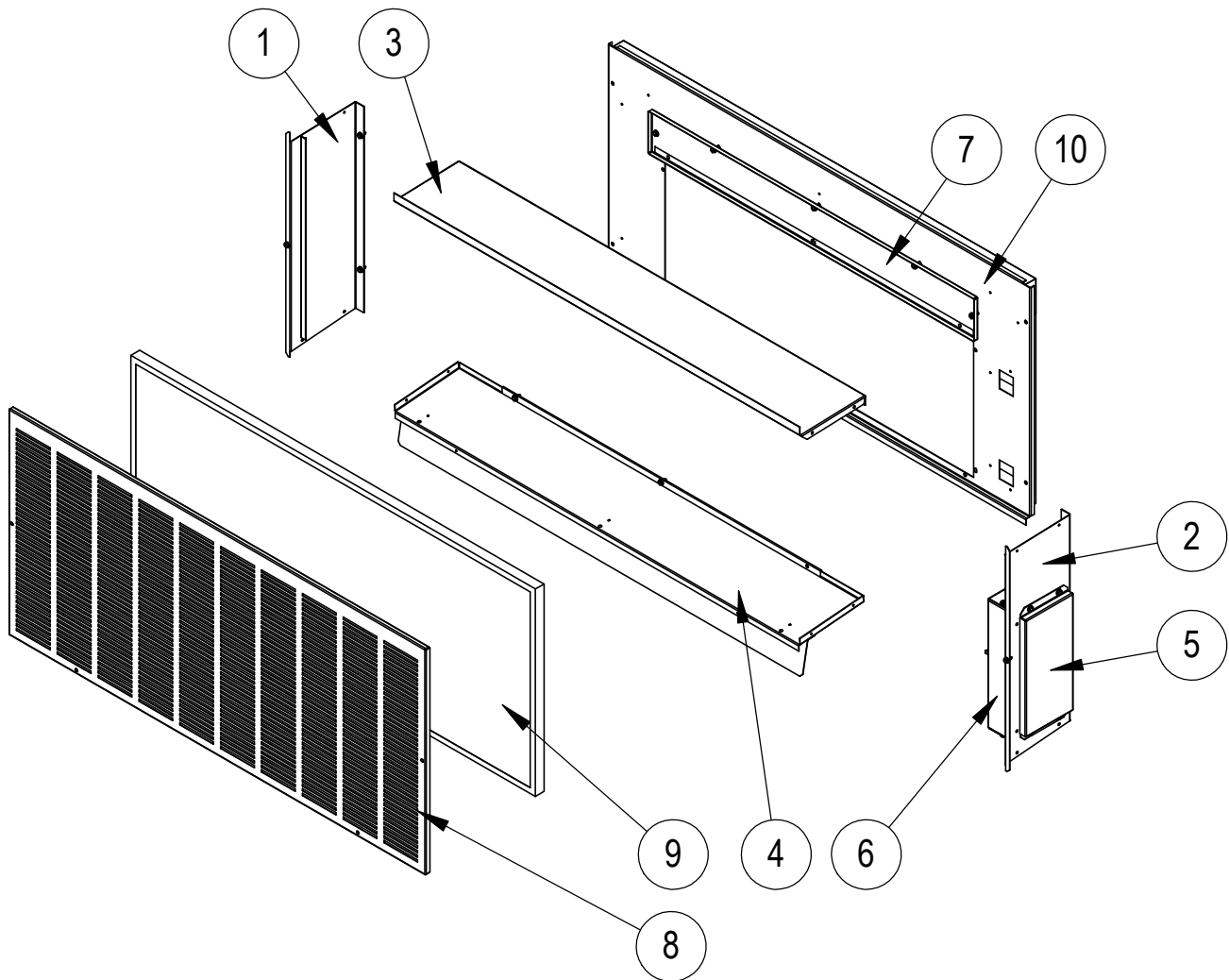


# ACTUATOR ASSEMBLY

Drawing No.	Part No.	Description	WCRVPS2	WCRVPS3	WCRVPS5
1	8602-069	Direct Coupled Actuator - Sylk	X	X	X
2	8602-068	Crank Arm	X	X	X
3	8602-008	Ball Joint	X	X	X
4	1012-174	1/4" - 20, 3-1/4" Long Hex Cap Screw	3	3	3
5	1012-201	1/4" - 20, Steep Keps Hex Nut	3	3	3
6	141-465	Actuator Support Plate	X		
6	141-466	Actuator Support Plate		X	
6	141-467	Actuator Support Plate			X
10	113-655	Blade Switch Bracket	X	X	X
11	1012-128	10 - 16 x 5/8" Torx Head Screw	8	8	8
12	8611-130	LTF 7 Fitting 3/4" O.D.	X	X	X
13	8611-125-1800	18" of 1/2" Split Tubing	X	X	X
14	3000-1527	Wire Assembly	X	X	X
15	141-464	Actuator Support Bar	X	X	
15	141-468	Actuator Support Bar			X

# AIR HOOD

---



SEXP-758

This exploded view is referenced in tables on pages 11 and 12

# AIR HOOD

Drawing No.	Part No.	Description	WCRVPS2	WCRVPS3	WCRVPS5
1	S101-872-* ①	Right Side	X	X	
1	S101-883 ②		X	X	
1	S101-881 ③		X	X	
1	S101-859-* ①				X
1	S101-876 ②				X
1	S101-878 ③				X
2	101-873-* ①	Left Side	X	X	
2	S101-884 ②		X	X	
2	S101-882 ③		X	X	
2	S101-860-* ①				X
2	S101-877 ②				X
2	S101-879 ③				X
3	S107-345-* ①	Hood Top	X		
3	S107-355 ②		X		
3	S107-356 ③		X		
3	S107-346-* ①			X	
3	S107-354 ②			X	
3	S107-353 ③			X	
3	S107-344-* ①				X
3	S107-350 ②				X
3	S107-351 ③				X
4	S127-494-* ①	Hood Bottom	X		
4	S127-502 ②		X		
4	S127-503 ③		X		
4	S127-495-* ①			X	
4	S127-501 ②			X	
4	S127-500 ③			X	
4	S127-489-* ①				X
4	S127-498 ②				X
4	S127-499 ③				X
5	S133-262-* ①	Control Panel Cover	X	X	X
5	S133-269 ②		X	X	X
5	S133-270 ③		X	X	X
6	See Page 6	Control Panel Assembly (JADE)	X	X	X
7	S553-613	Filter Door	X		
7	S553-634 ②		X		
7	S553-631 ③		X		
7	S553-611			X	
7	S553-632 ②			X	
7	S553-636 ③			X	
7	S553-641				X
7	S553-643 ②				X
7	S553-627 ③				X

*Continued on page 12*

- ① Exterior cabinet parts are manufactured with various paint color options. To ensure the proper paint color is received, include the complete model and serial number of the unit for which cabinet parts are being ordered.
- ② Exterior cabinet parts are manufactured from stainless steel Code "S"
- ③ Exterior cabinet parts are manufactured from aluminum Code "A"

# AIR HOOD

Drawing No.	Part No.	Description	WCRVPS2	WCRVPS3	WCRVPS5
<i>Continued from page 11</i>					
8	115-285-* ①	Hood Front	X		
8	115-292 ②		X		
8	115-293 ③		X		
8	115-284-* ①			X	
8	115-291 ②			X	
8	115-290 ③			X	
8	115-283-* ①				X
8	115-287 ②				X
8	115-288 ③				X
9	7003-080	Mist Filter (31" X 16" X 1")	X		
9	7003-079	Mist Filter (36" X 16" X 1")		X	
9	7003-062	Mist Filter (40" X 18" X 1")			X
10	S553-612-* ①	Hood Mounting Door	X		
10	S553-635 ②		X		
10	S553-630 ③		X		
10	S553-610-* ①			X	
10	S553-633 ②			X	
10	S553-637 ③			X	
10	S553-595-* ①				X
10	S553-626 ②				X
10	S553-627 ③				X

- ① Exterior cabinet parts are manufactured with various paint color options. To ensure the proper paint color is received, include the complete model and serial number of the unit for which cabinet parts are being ordered.
- ② Exterior cabinet parts are manufactured from stainless steel Code "S"
- ③ Exterior cabinet parts are manufactured from aluminum Code "A"