

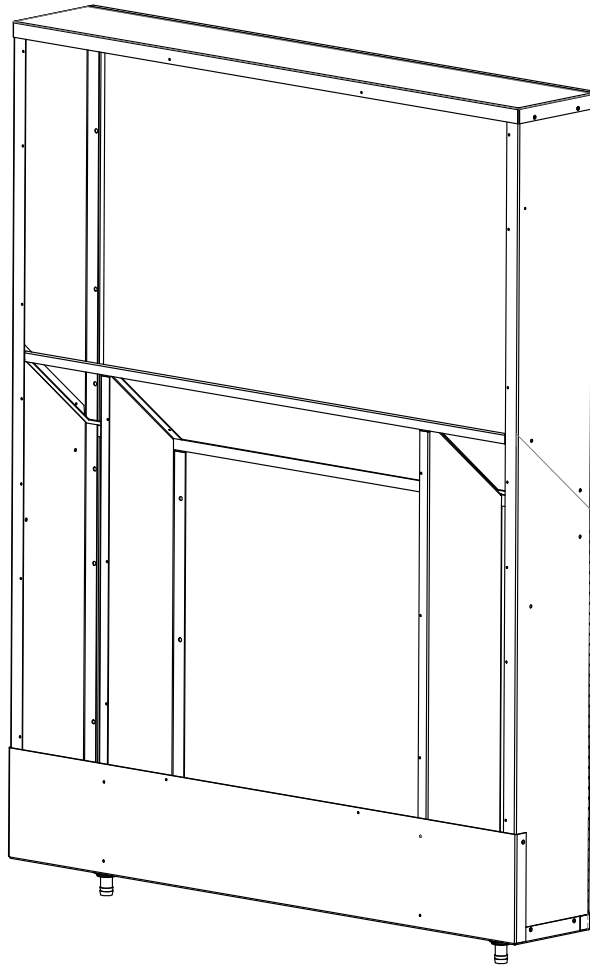
---

# INSTALLATION INSTRUCTIONS

---

## I-TEC WALL CURB

Model: ICURB740



MIS-3644



*Climate Control Solutions*

Bard Manufacturing Company, Inc.  
Bryan, Ohio 43506  
[www.bardhvac.com](http://www.bardhvac.com)

Manual No.: 2100-625  
Supersedes: **NEW**  
Date: 10-09-14

# CONTENTS

---

<b>Getting Other Information and Publications</b>	3
<b>I-TEC Curb General Information</b>	
Shipping Damage.....	4
General .....	4
Unpacking .....	4
<b>Installation Instructions</b>	
Installation .....	6
Unit Installation with Curb Installed .....	7
Wall Sleeve Installation .....	7

<b>Figures</b>	
Figure 1 I-TEC Wall Curb Dimensions.....	5
Figure 2 Wall Curb Installation.....	6
Figure 3 Typical Installation .....	7
Figure 4 Wood Framed Installation.....	8
Figure 5 Masonry Construction Installation .....	8

---

# Getting Other Information and Publications

These publications can help you install the air conditioner or heat pump. You can usually find these at your local library or purchase them directly from the publisher. Be sure to consult current edition of each standard.

Standard for the Installation..... ANSI/NFPA 90A  
of Air Conditioning and Ventilating Systems

Standard for Warm Air Heating ..... ANSI/NFPA 90B  
and Air Conditioning Systems

I-TEC Installation Instruction Manual... Bard/2100-549  
(latest revision)

## FOR MORE INFORMATION, CONTACT THESE PUBLISHERS:

**ACCA**     **Air Conditioning Contractors of America**  
1712 New Hampshire Avenue, NW  
Washington, DC 20009  
Telephone: (202) 483-9370  
Fax: (202) 234-4721

**ANSI**     **American National Standards Institute**  
11 West Street, 13th Floor  
New York, NY 10036  
Telephone: (212) 642-4900  
Fax: (212) 302-1286

**ASHRAE**   **American Society of Heating,  
Refrigerating, and Air Conditioning  
Engineers, Inc.**  
1791 Tullie Circle, N.E.  
Atlanta, GA 30329-2305  
Telephone: (404) 636-8400  
Fax: (404) 321-5478

**BARD**     **Bard Manufacturing Company, Inc.**  
1914 Randolph Drive  
Bryan, OH 43506  
Telephone: (419) 636-1194  
Fax: (419) 636-2640

## SHIPPING DAMAGE

Upon receipt of equipment, the carton should be checked for external signs of shipping damage. If damage is found, the receiving party must contact the last carrier immediately, preferably in writing, requesting inspection by the carrier's agent.

## GENERAL

The I-TEC ICURB wall curb is designed for use with the I-TEC Series units. The wall curb assembly consists of a large intake curb and integrated exhaust sleeve. By using the ICURB assembly, the I-TEC unit can be installed in a room with a window sill height higher than 34" without the use of a riser platform.

WALL CURB MODEL NO.	SLEEVE DEPTH	WINDOW SILL
ICURB740	7"	40"

The equipment covered in this manual is to be installed by trained service and installation technicians.

These instructions explain the recommended method to install the wall curb.

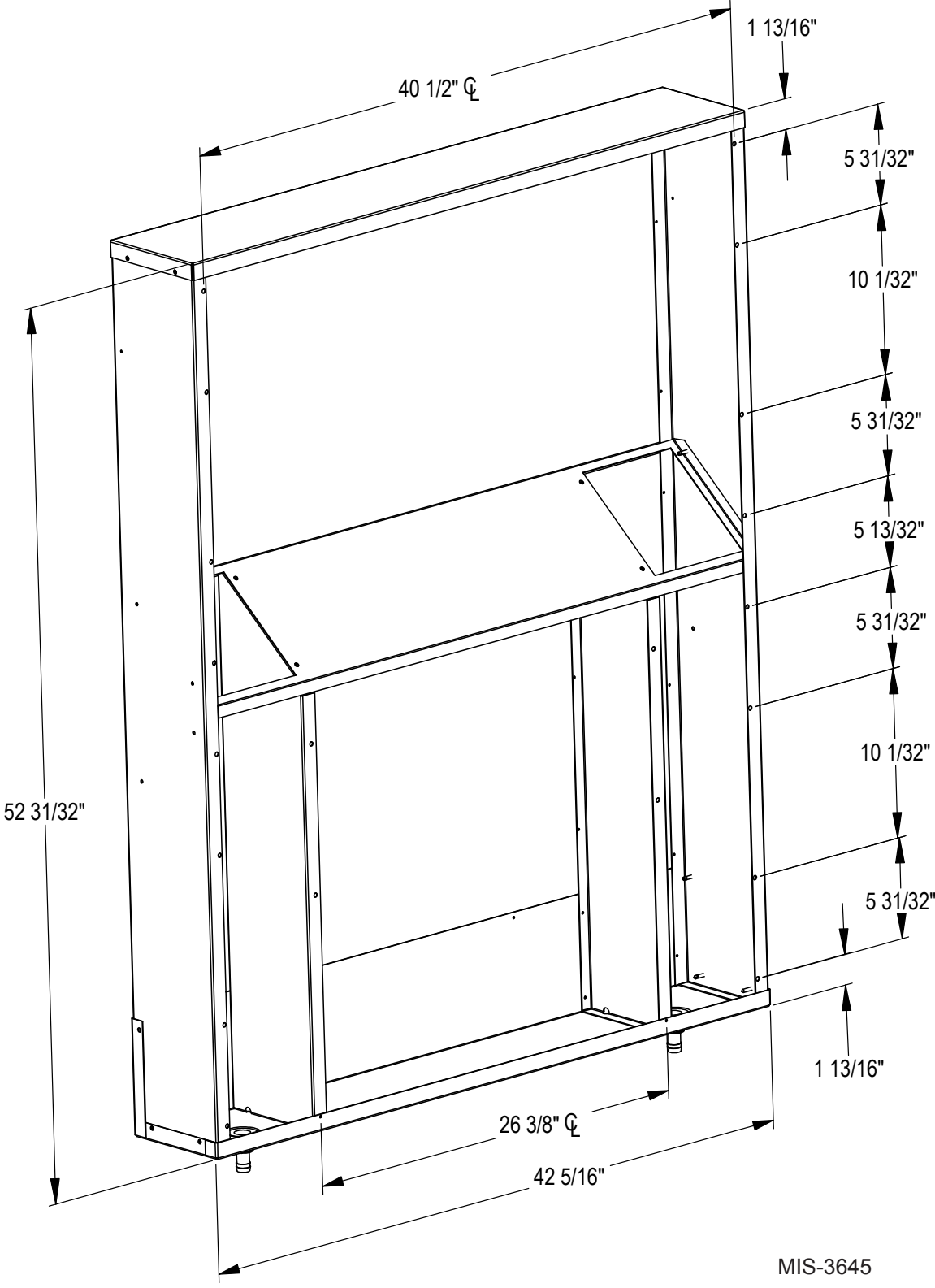
These instructions and any instructions packaged with any separate equipment required to make the entire air conditioning system should be carefully read before beginning the installation.

While these instructions are intended as a general recommended guide, they do not supersede any national &/ or local codes in any way. Authorities having jurisdiction should be consulted before the installation is made.

## UNPACKING

Remove ICURB assembly from packaging. Be sure to save accessories needed for drain assembly.

FIGURE 1  
I-TEC WALL CURB DIMENSIONS



MIS-3645

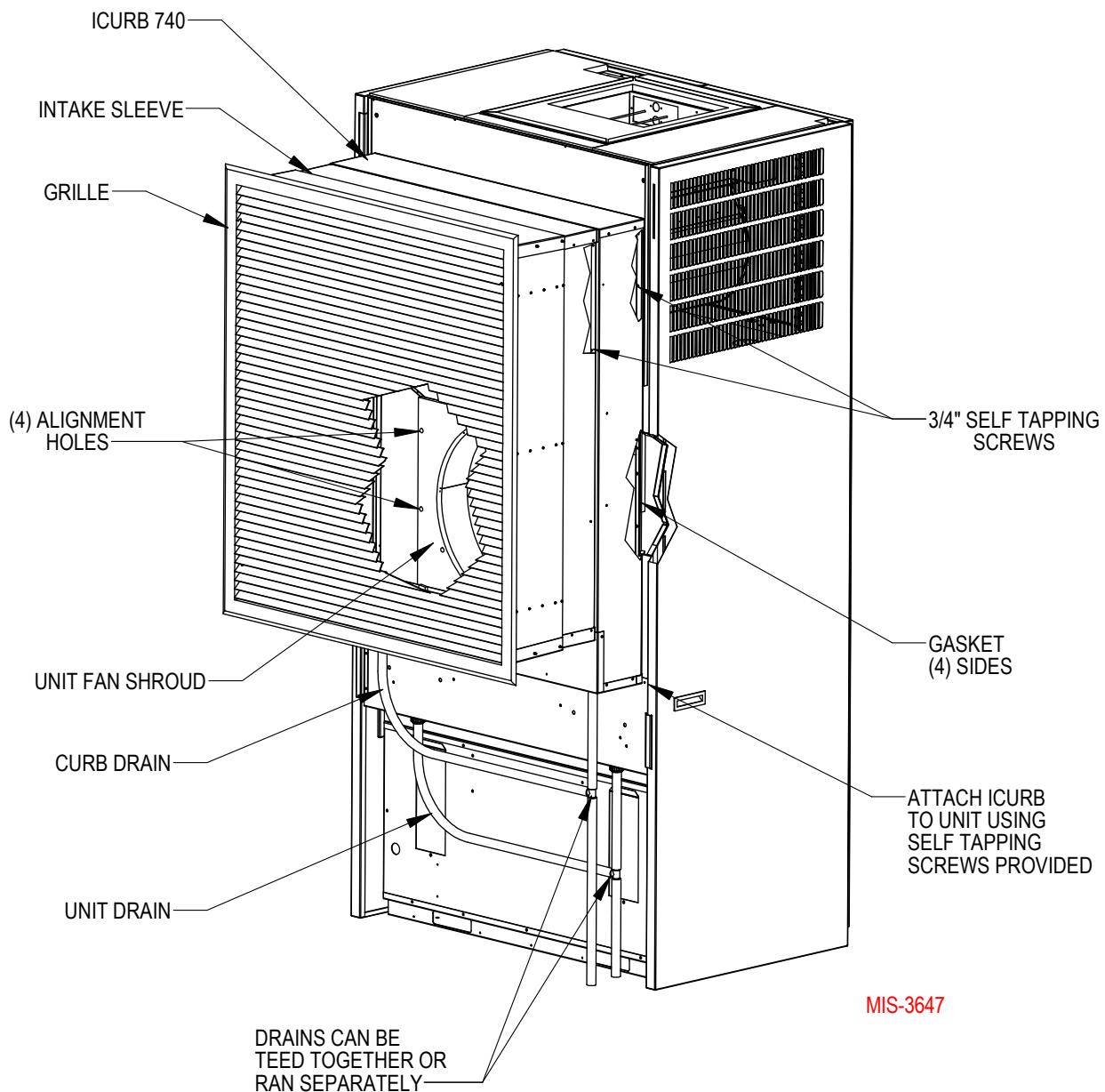
# INSTALLATION INSTRUCTIONS

## INSTALLATION

The ICURB wall curb is designed to be installed between the I-TEC heat pump unit and an appropriately sized wall sleeve as shown in Figure 2.

1. Position curb assembly with the foam gasket facing the I-TEC unit. Align four (4) holes in the inner curb frame with the corresponding holes in the unit fan shroud and attach using four (4) 1/2" standard sheet metal screws. Continue to support the curb assembly.
2. Insert twelve (12) 3/4" self-tapping sheet metal screws around the perimeter of the curb as shown in Figure 2.
3. Assemble curb drain hose assembly as shown in Figure 2 using the three (3) tubes and tees that are provided. The curb drain can be teed into the unit drain or ran separately.

**FIGURE 2  
WALL CURB INSTALLATION**



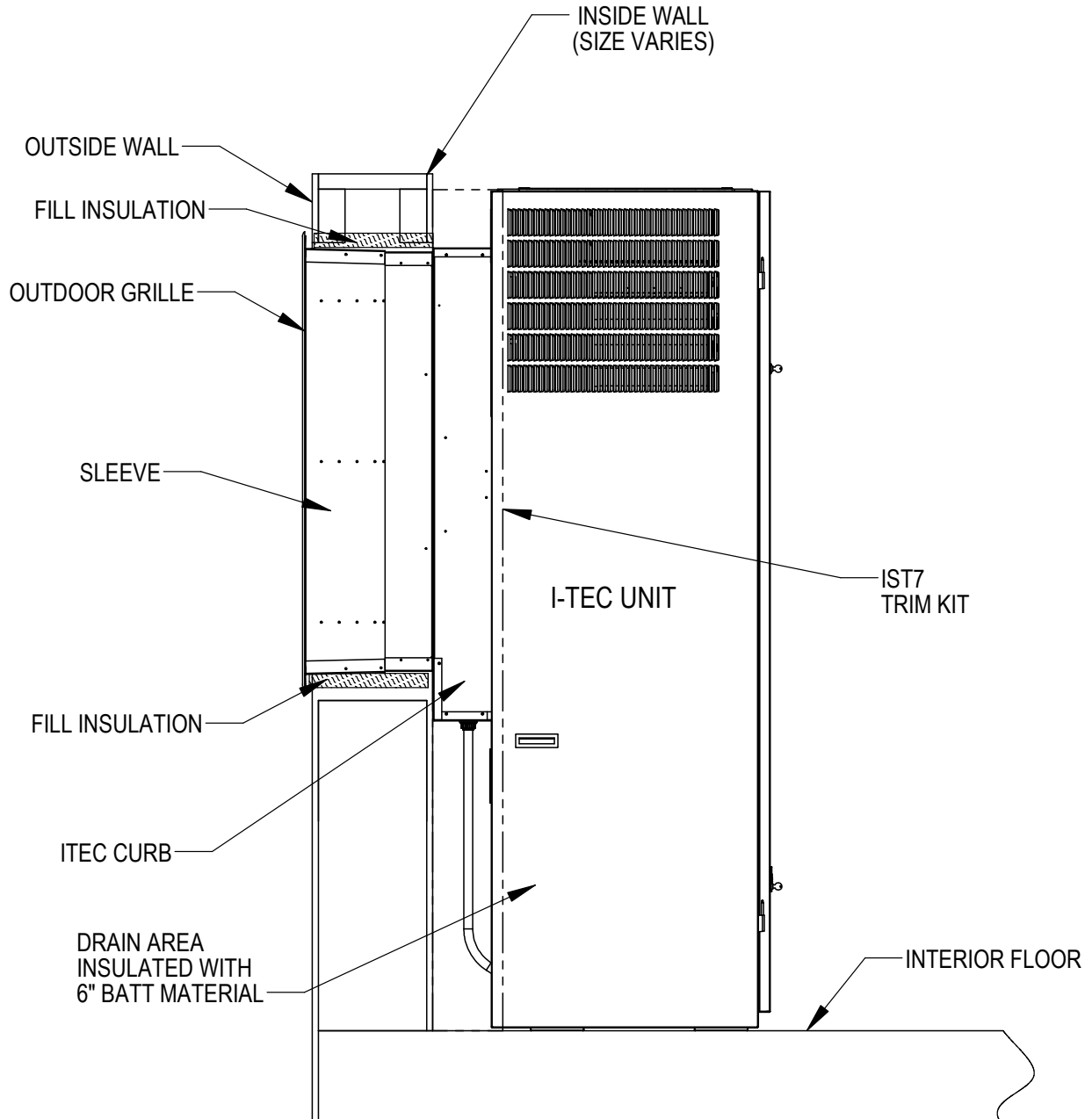
## UNIT INSTALLATION WITH CURB INSTALLED

Once curb installation is complete, the unit can be moved into position against the inner wall. Due to the curb depth, a 7" gap between the unit and the wall will be present (see Figure 3). The gap can be trimmed with IST7-\* trim kit.

## WALL SLEEVE INSTALLATION

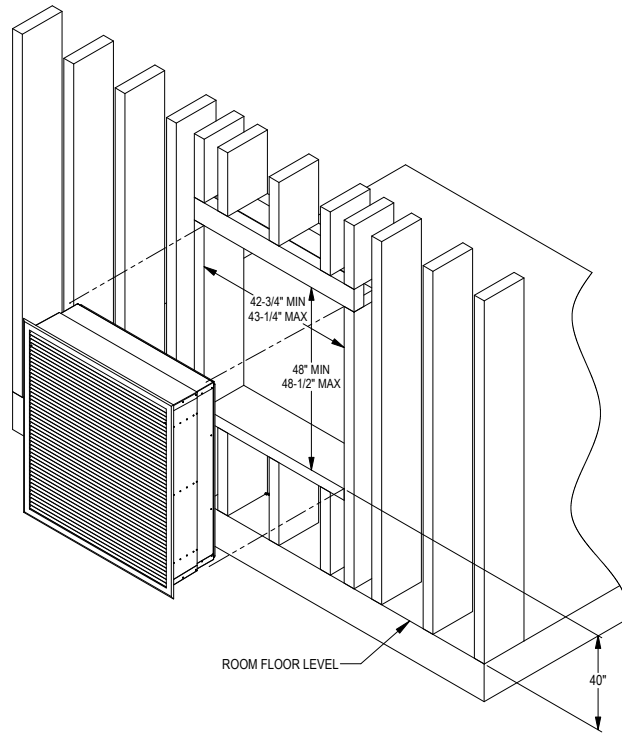
Refer to Figures 4 and 5 on page 8 for new sill height and wall opening dimensions. Follow instructions supplied with the wall sleeve for installation.

**FIGURE 3  
TYPICAL INSTALLATION**



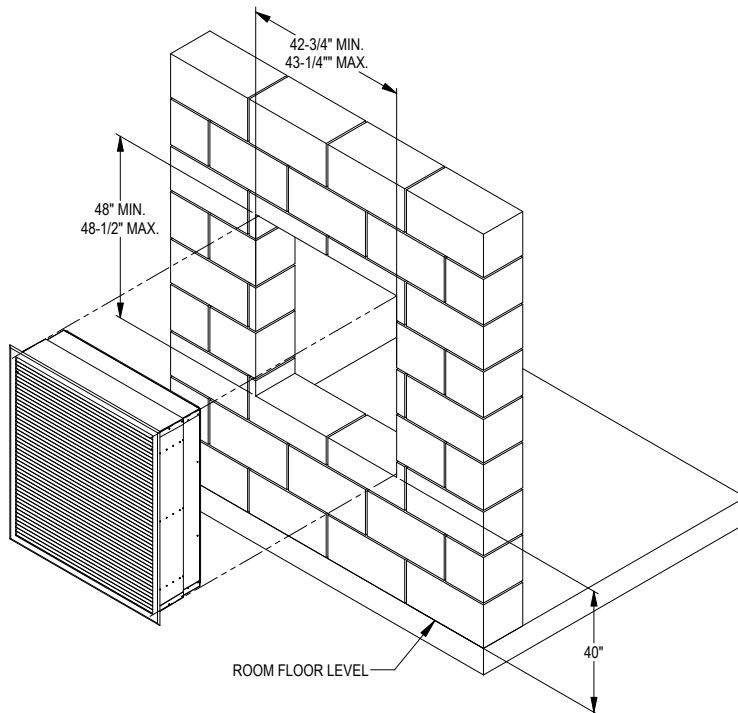
MIS-3646

**FIGURE 4  
WOOD FRAMED INSTALLATION**



MIS-3648

**FIGURE 5  
MASONRY CONSTRUCTION INSTALLATION**



MIS-3649