
INSTALLATION INSTRUCTIONS

Commercial Room Ventilator with Exhaust

Model: CHCRV-5

For Use with Bard C**H Series 3, 4 & 5 Ton
2-Stage Wall Mount Heat Pumps

and

W38H, W43H, W49H & W61H
T36H, T42H, T48H & T60H
T36S, T42S, T48S & T60S
C36H, C42H, C48H & C60H
Single Stage Wall Mount Heat Pumps



Climate Control Solutions

Bard Manufacturing Company, Inc.
Bryan, Ohio 43506
www.bardhvac.com

Manual: 2100-450M
Supersedes: 2100-450L
Date: 3-1-21

CONTENTS

General

General Information	3
Unpacking	3
Description	3
Models	3

Installation

Basic Installation	4 - 6
CO ₂ Control	6
Blade Adjustment for Desired Ventilation Air	8
Commercial Room Ventilator – C**H Series	11 & 12
Commercial Room Ventilator – W**H Series	13 & 14

Figures

Figure 1	Removal of Exterior Panels, Air Filter and Exhaust Cover Plate	4
Figure 2	Install Ventilator	5
Figure 3	CO ₂ Sensor Default Settings (8403-096) ..	7
Figure 4	CO ₂ Sensor Final Settings (8403-096)	7
Figure 5	(C**H) Call for Vent. w/ or w/o Compressor Operation	11
Figure 6	Call for Comp. or Fan Only w/Vent Off ...	12
Figure 7	(W**H) Call for Vent. w/ or w/o Compressor Operation	13
Figure 8	(W**H) Call for Compressor or Fan Only w/ Vent. Off	14

Graphs

Graph 1	C36H, C42H & W38H Vent Airflow	8
Graph 2	C48H, W49H & W61H1 Vent Airflow	9
Graph 3	C60H Vent Airflow	9
Graph 4	W43H with CHCRV-5	10

BARD MANUFACTURING COMPANY, INC.
BRYAN, OHIO USA 43506

GENERAL INFORMATION

The ventilator should only be installed by a trained heating and air conditioning technician. These instructions serve as a guide to the technician installing the ventilator package. They are not intended as a step by step procedure with which the mechanically inclined owner can install the package.

The ventilator housing is shipped in one carton which contains the electrical harness, miscellaneous hardware and installation instructions.

UNPACKING

Upon receipt of the equipment be sure to compare the model number found on the shipping label with the accessory identification information on the ordering and shipping document to verify that the correct accessory has been shipped.

Inspect the carton housing of each ventilator as it is received, and before signing the freight bill, verify that all items have been received and that there is no visible damage. Note any shortages or damage on all copies of the freight bill. The receiving party must contact the last carrier immediately, preferably in writing, requesting inspection by the carrier's agent. Concealed damage not discovered until after loading must be reported to the carrier within 15 days of its receipt.

DESCRIPTION

The CHCRV-5 ventilator is designed to be used with Bard CH Series; Bard W38H, W43H, W49H and W61H Series; Bard T36H, T42H, T48H and T60H Series; Bard T36S, T42S, T48S and T60S Series; Bard C36H, C42H, C48H and C60H Series 3 through 5 ton wall mount series heat pumps. They are electromechanical vent systems designed to provide fresh air to meet indoor air quality standards.

MODELS:

When installed in the above-listed models, the CRV provides built in exhaust provisions. When the damper blade opens to bring fresh air in, the damper also opens an exhaust relief. The exhaust air will flow into the condenser section of the unit. The condenser fan will help draw exhaust air out when it is operating with compressor in cooling or heat pump mode.


INSTALLATION

BASIC INSTALLATION

1. Unpack the ventilator assembly which includes the integral ventilator with attached electrical harness and miscellaneous hardware.
2. Remove and save the existing exterior blower access, filter access and service access panels on the Bard wall mount unit. (See Figure 1.)
3. Remove and save existing unit air filter and screws from front center grille. (See Figure 1.)

MODEL	FOR USE WITH FOLLOWING UNITS		
CHCRV-5	W38H	W43H	W49H/W61H
	T36H	T42H	T48H/T60H
	T36S	T42S	T48S/T60S
	C36H	C42H	C48H/C60H

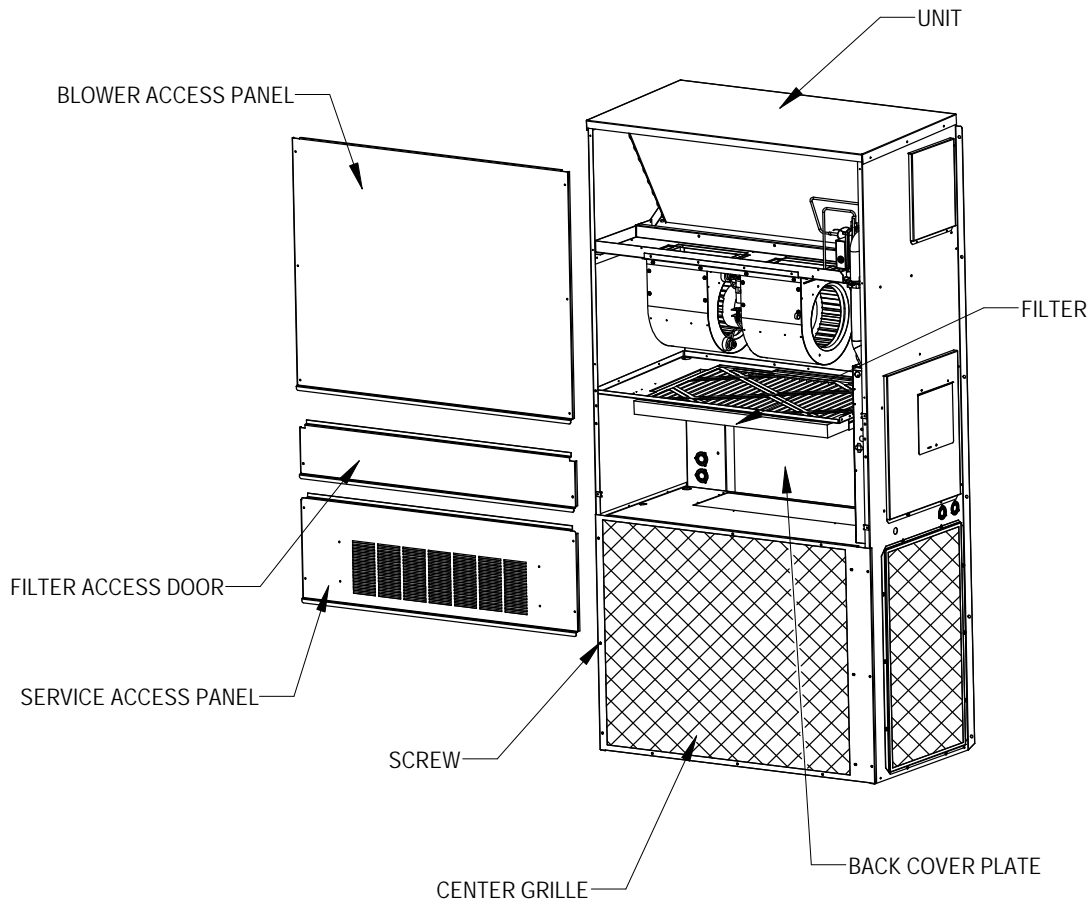
4. Remove and discard back CRV exhaust cover plate for W38-61H, T36-60H & T36-T60S models. Remove front CRV exhaust cover plate on C36-60H models.
5. Install ventilator by inserting the ventilator into the unit to the far left side clearing the right filter bracket. Once the ventilator is fully inserted, slide the ventilator to the right until it is tight against the back of the control panel. (See Figure 2.)



WARNING

Open and lock unit disconnect switch before installing this accessory to prevent injury or death due to electrical shock or contact with moving parts. Turn thermostat to off.

**FIGURE 1
REMOVAL OF EXTERIOR PANELS, AIR FILTER AND EXHAUST COVER PLATE**



MIS-3307

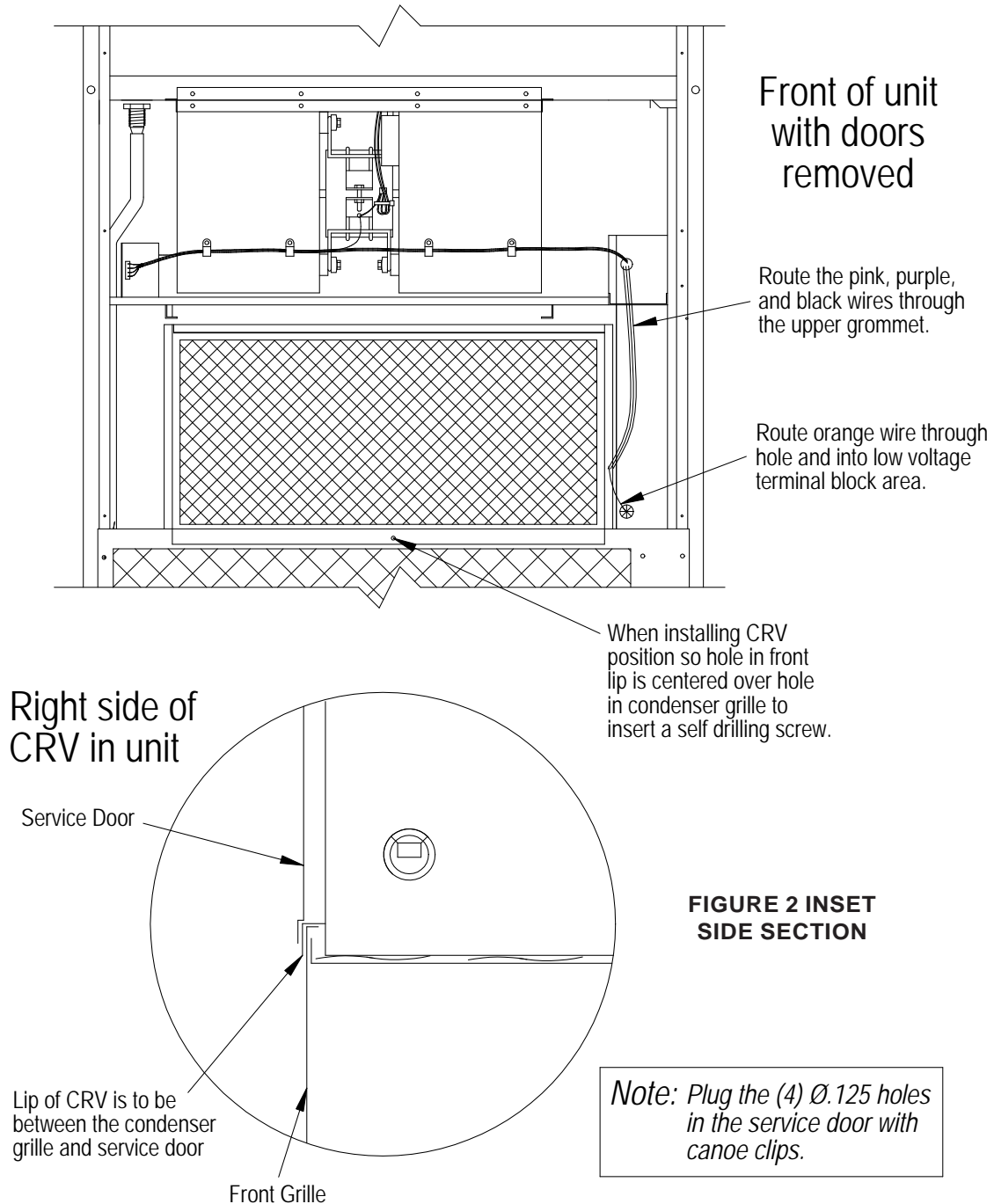
IMPORTANT: Position front lip of ventilator on top of front grille and condenser partition. (See Figure 2 inset.) This is important to ensure proper drainage of any water entering damper assembly.

6. Open control panel to gain access to unit low voltage terminal block.

7. Route electrical harness leads through the 7/8" bushings in control panel (See Figure 2) into low voltage box.

8. Install the vent control board in the upper left corner of the control panel. Route the pink, purple and black wires through the upper grommet.

**FIGURE 2
INSTALL VENTILATOR**



9. Connect purple wire from CHCRV to P terminal on vent control. Connect pink wire from CHCRV to P1 on vent control. Connect black wire from CHCRV to C on vent control. Connect orange wire from CHCRV to 01 terminal on unit low voltage terminal block. Connect black wire from vent control to C terminal on low voltage terminal strip. Connect purple wire from vent control to Y1 terminal on low voltage terminal strip. Connect yellow wire from vent control to Y terminal on low voltage terminal strip. Connect red wire from vent control to R on low voltage terminal strip.
10. Close control panel cover
11. Replace left filter support, filter and four (4) screws in condenser grille.
12. Reinstall the blower access panel at top of unit and secure with sheet metal screws.
13. Ventilator Checkout
 - A. Resupply power to unit.
 - B. Energize the evaporator blower by switching thermostat to the manual fan position with heat/cool in OFF position.
 - C. Ventilator should open to the position set by #1 Potentiometer on vent control. Cycle position adjustment thumbwheel to full open through full close. Observe damper blade operation throughout travel to assure free, unobstructed movement.
 - D. De-energize evaporator blower. Damper blade should close.
 - E. This completes ventilator checkout.
14. Replace mist eliminator. Be sure it is installed with the drain holes to the bottom.
15. Remove blank off plate or barometric fresh air damper installed on service access door. Plug four (4) mounting holes with the plastic plugs provided with the ventilator.
16. Replace service access panel.
17. Ventilator is now ready for operation.

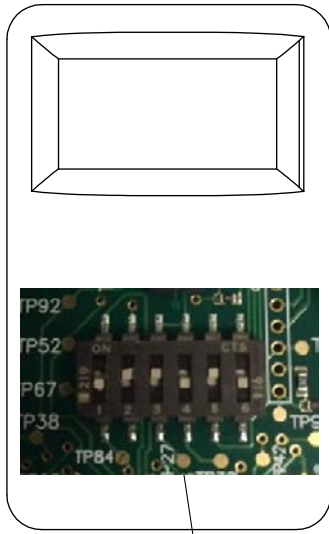
CO₂ CONTROL

For CO₂-based control, add a CO₂ sensor/controller (Bard Part #8403-096) to the wall and run additional optional wires as shown in Wiring Diagrams.

4056-207 for W38H, W43H, W49H, W61H and T**H Series. 4056-187 for the T**S or C**H Series.

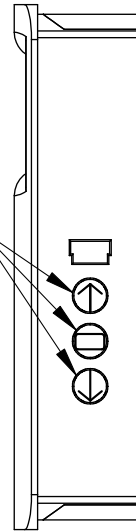
The CO₂ controller also must be re-configured from the standard default settings as it comes out of the box. See next two pages for complete details.

FIGURES 3 & 4
CO₂ SENSOR DEFAULT & FINAL SETTINGS
8403-096 CO2 CONTROLLER



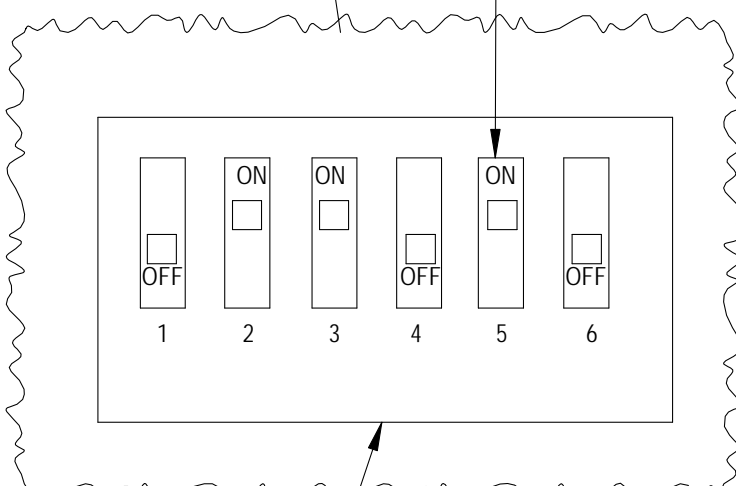
Dip Switch Position 5: Menu Access
 ON: Menu Enabled
 OFF: Menu Disabled

PRESS UP AND DOWN ARROWS TO ENTER CONFIGURATION MODE. USE ARROWS TO SELECT SETTING. PUSH MIDDLE BUTTON TO CHANGE. CONTROLLER WILL SHOW SET.



NOTE: MENU DIP SWITCH MUST BE IN "ON" POSITION #5 TO CHANGE ANY SETTINGS WITH THE SIDE BUTTONS. TO LOCK THE CO2 CONTROLLER MOVE DIP SWITCH TO "OFF" AFTER IT HAS BEEN CONFIGURED.

Settings	Recommended	Default
RON	Not Used	
ROF	Not Used	
DSP	C	CT
UNI	US	US
COL	700	0
COH	1500	2000
TOL	Not Used	
TOH	Not Used	
BAR	See Instruction with Controller For High Altitude Installations	
CAL	Used for Field Calibration	



DIP SWITCHES MUST BE POSITIONED AS SHOWN FOR PROPER OPERATION

MIS-3009 B

(1) Damper should be fully closed at 700 ppm, if not Potentiometer R7 can be adjusted clockwise (CW) to close it. If it is fully closed at 700 ppm or lower no adjustments required.
 (2) Blade as referenced to the Blade Position Label.

4-20mA	AN (ppm)	Damper (1)	Approx. Blade Position (2)
4	700	FULLY CLOSED	0
5	750		1
6	800		2
7	850		3
8	900		4
9	950		5
10	1000		6
11	1050		7
12	1100		8
13	1150		9
14	1200		10
15	1250		11
16	1300		12
17	1350		14
18	1400		15
19	1450		16
20	1500	FULLY OPEN	17

BLADE ADJUSTMENT FOR DESIRED VENTILATOR AIR

The amount of ventilation air supplied by the commercial room ventilator is dependant on four (4) factors.

1. Return air duct static pressure drop.
2. Supply air duct static pressure drop.
3. Indoor blower motor speed.
4. Damper blade open position setting.

Refer to the graph below to determine the blade setting necessary to achieve the ventilation air required for each operating mode.

FACTORY DEFAULT SETTINGS ARE:

	<u>C**H</u>	<u>T**H</u>
	<u>T**S</u>	<u>W**H</u>
Potentiometer R1.	17	17
Potentiometer R2.	14	14
Potentiometer R3.	12	NA

For more accurate adjustment, use a flowhood over the intake opening to measure and adjust the airflow operation.

Potentiometer R1. Adjusts the airflow during blower operation only.

Potentiometer R2. Adjusts the airflow during 1st stage cooling or heating operation.

Potentiometer R3. Adjusts the airflow during 2nd stage cooling or heating operation.

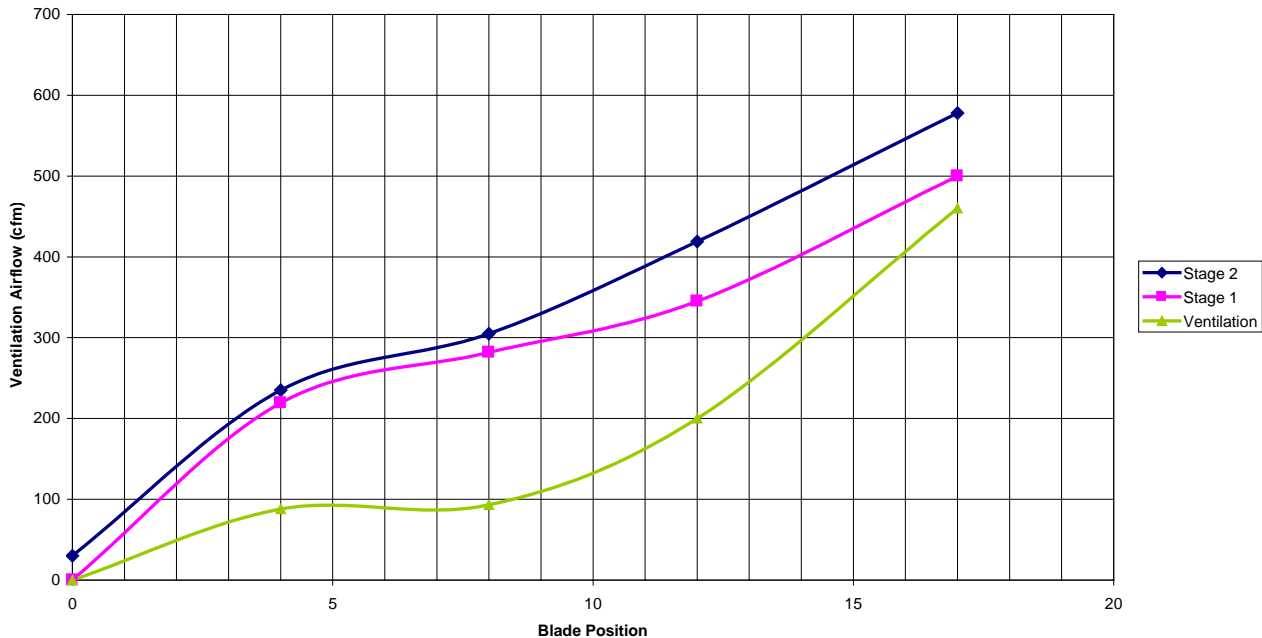
Energize blower only mode and adjust #1 Potentiometer to desired airflow.

Energize 1st stage cooling mode and adjust #2 Potentiometer to desired airflow.

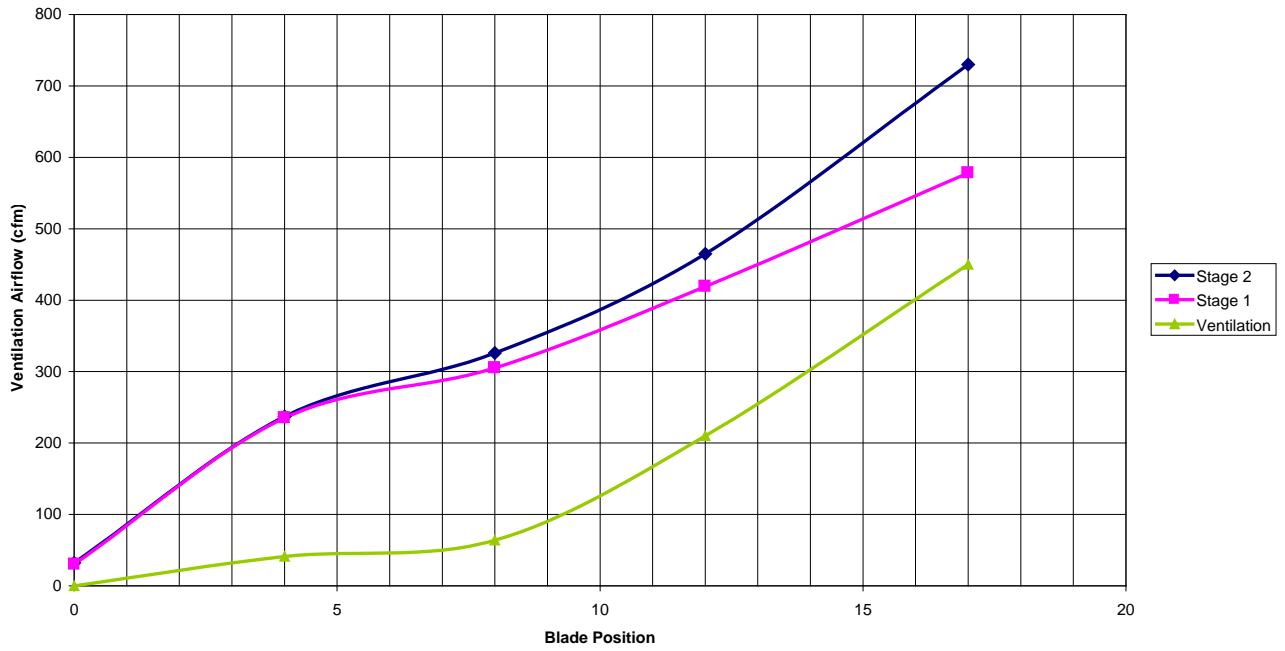
Energize 2nd stage cooling mode and adjust #3 Potentiometer to desired airflow.

Minimum damper position when using CO₂ control damper should be fully closed at 700 ppm or lower, if not Potentiometer R7 can be adjusted clockwise (CW) to close it. If it is fully closed at 700 ppm or lower, no adjustments required.

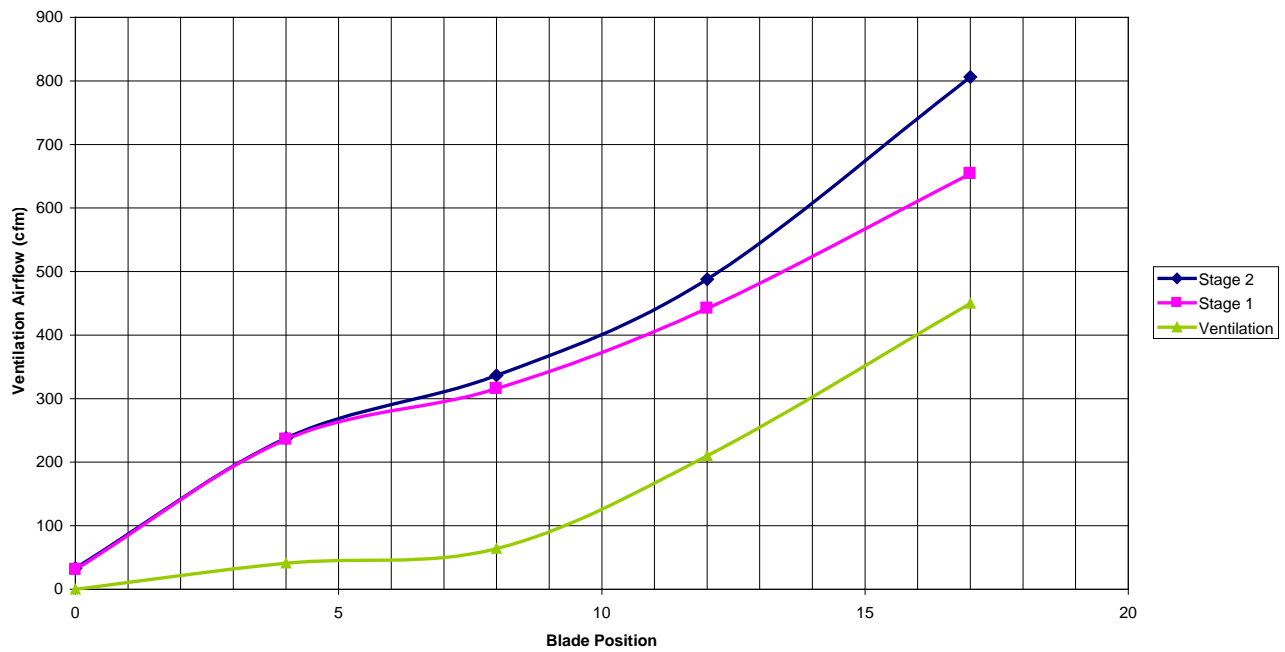
**GRAPH 1
C36H, C42H & W38H1 VENT AIRFLOW**



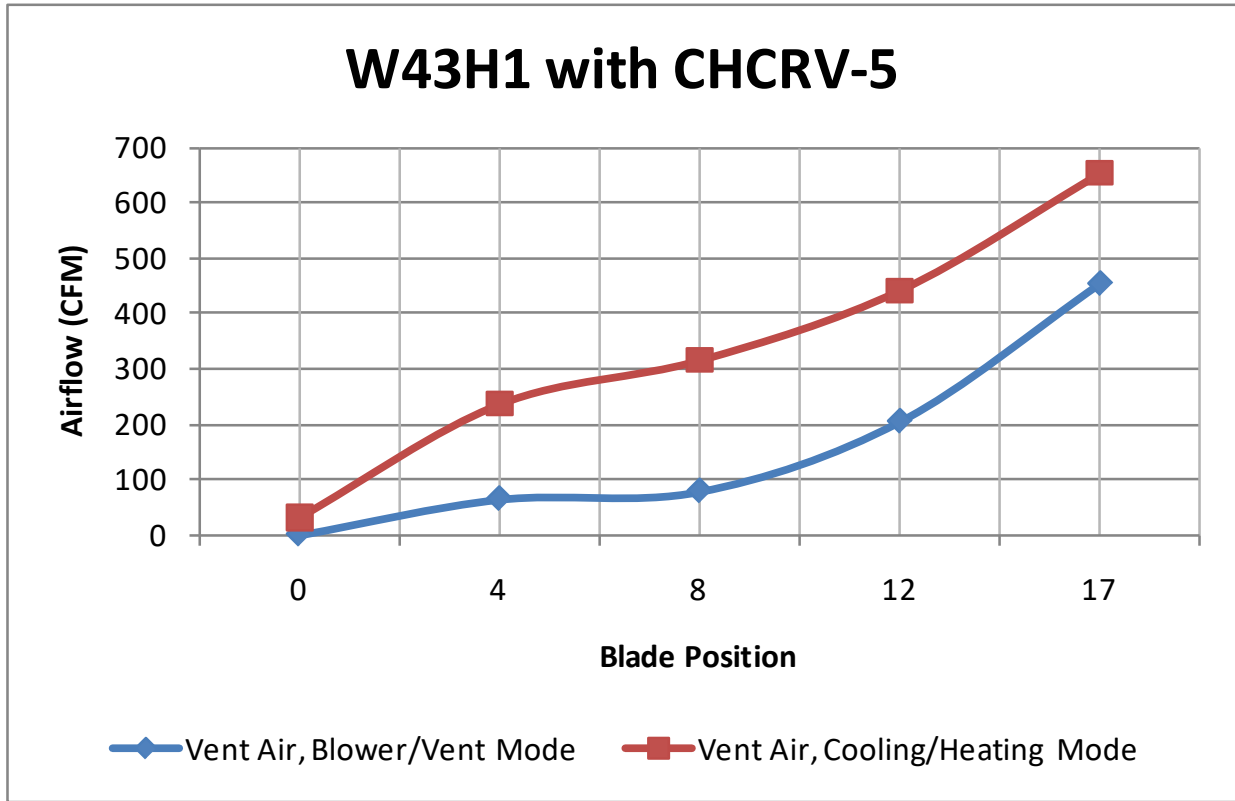
GRAPH 2
C48H, W49H1 & W61H1 VENT AIRFLOW



GRAPH 3
C60H VENT AIRFLOW



GRAPH 4



COMMERCIAL ROOM VENTILATOR – CH SERIES

FEATURES

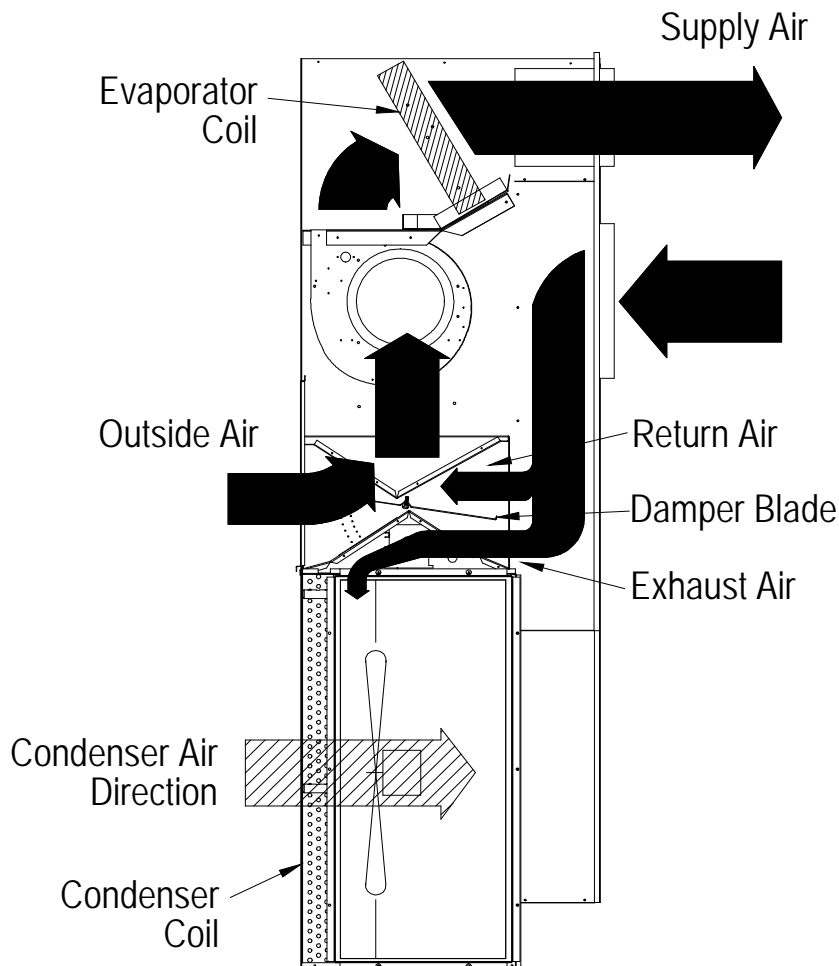
- One piece construction – easy to install with no mechanical linkage adjustment required.
- Exhaust air damper – built in with positive closed position. Provides exhaust air capability to prevent pressurization of tight buildings.
- Actuator motor – 24 volt, power open, spring return with built in torque limiting switch.

COMMERCIAL ROOM VENTILATOR SEQUENCE OF OPERATION

On a call for blower operation, CRV opens to a position as set by #1 Potentiometer. See Figure 5.

NOTE: These sequence descriptions do not apply if CO₂ controller is used. The CRV will control according to observed CO₂ levels in the conditioned space. Refer to information on Page 7.

**FIGURE 5
CALL FOR VENTILATION
WITH OR WITHOUT COMPRESSOR OPERATION**

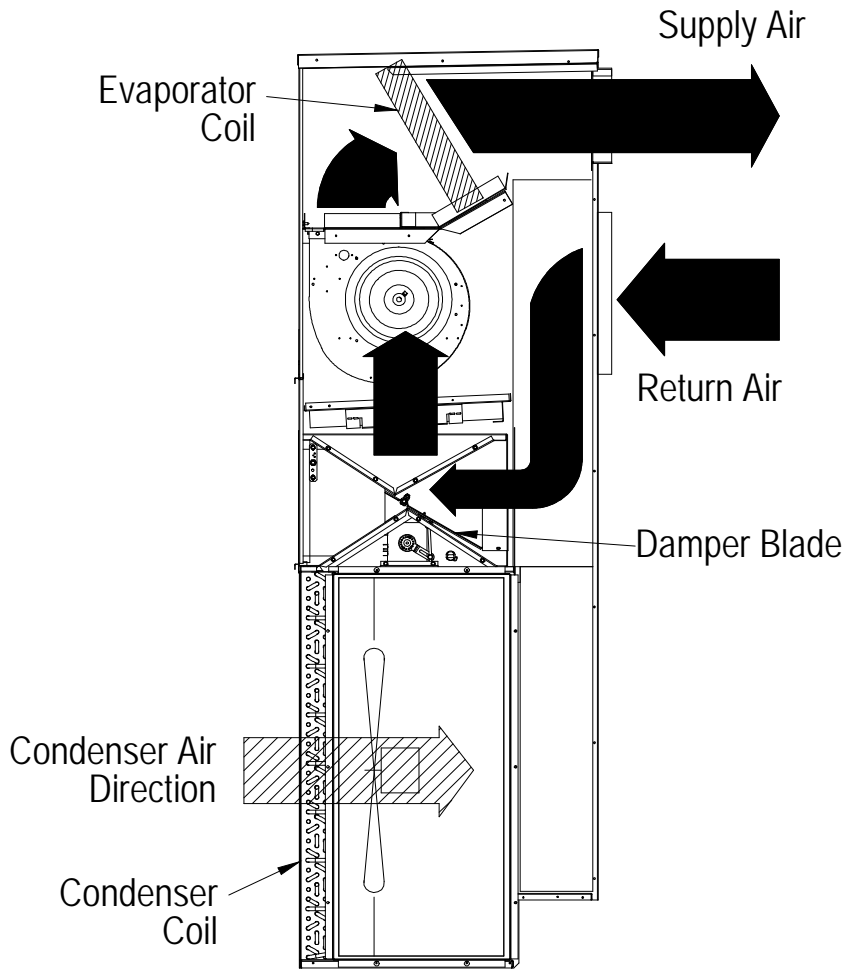


MIS-1944 A

A call for 1st stage cooling or heating cycles the compressor, and the dampers reposition to the Potentiometer #2 setpoint. A call for 2nd stage cooling or heating energizes compressor solenoid

and repositions the damper blade to the Potentiometer #3 position. On loss of blower operation, CRV closes fully. See Figure 6.

**FIGURE 6
CALL FOR COMPRESSOR OR FAN ONLY
WITH VENTILATION OFF**



MIS-2031 A

COMMERCIAL ROOM VENTILATOR – W38, W43 W49 & W61H MODELS

FEATURES

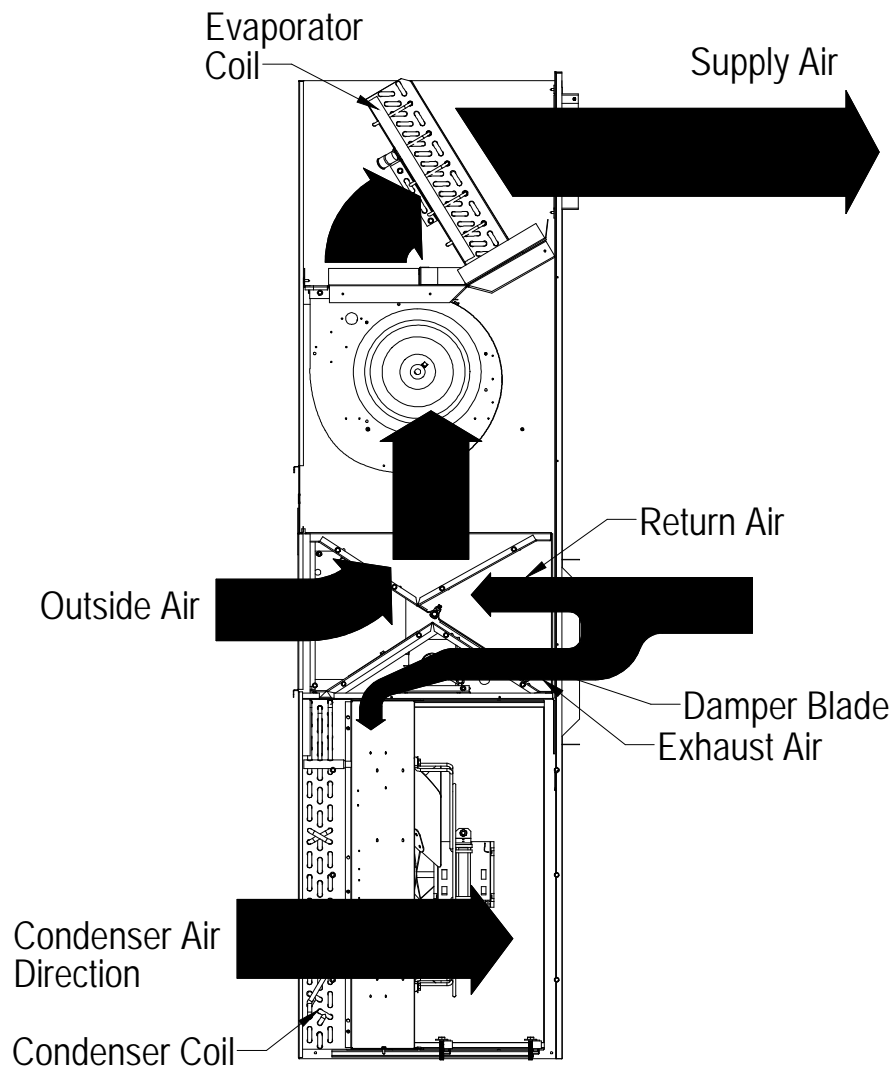
- One piece construction – easy to install with no mechanical linkage adjustment required.
- Exhaust air damper – built in with positive closed position. Provides exhaust air capability to prevent pressurization of tight buildings.
- Actuator motor – 24 volt, power open, spring return with built in torque limiting switch.

COMMERCIAL ROOM VENTILATOR SEQUENCE OF OPERATION

On a call for blower operation, CRV opens to a position as set by #1 Potentiometer. See Figure 7.

NOTE: These sequence descriptions do not apply if CO₂ controller is used. The CRV will control according to observed CO₂ levels in the conditioned space. Refer to information on Pages 7.

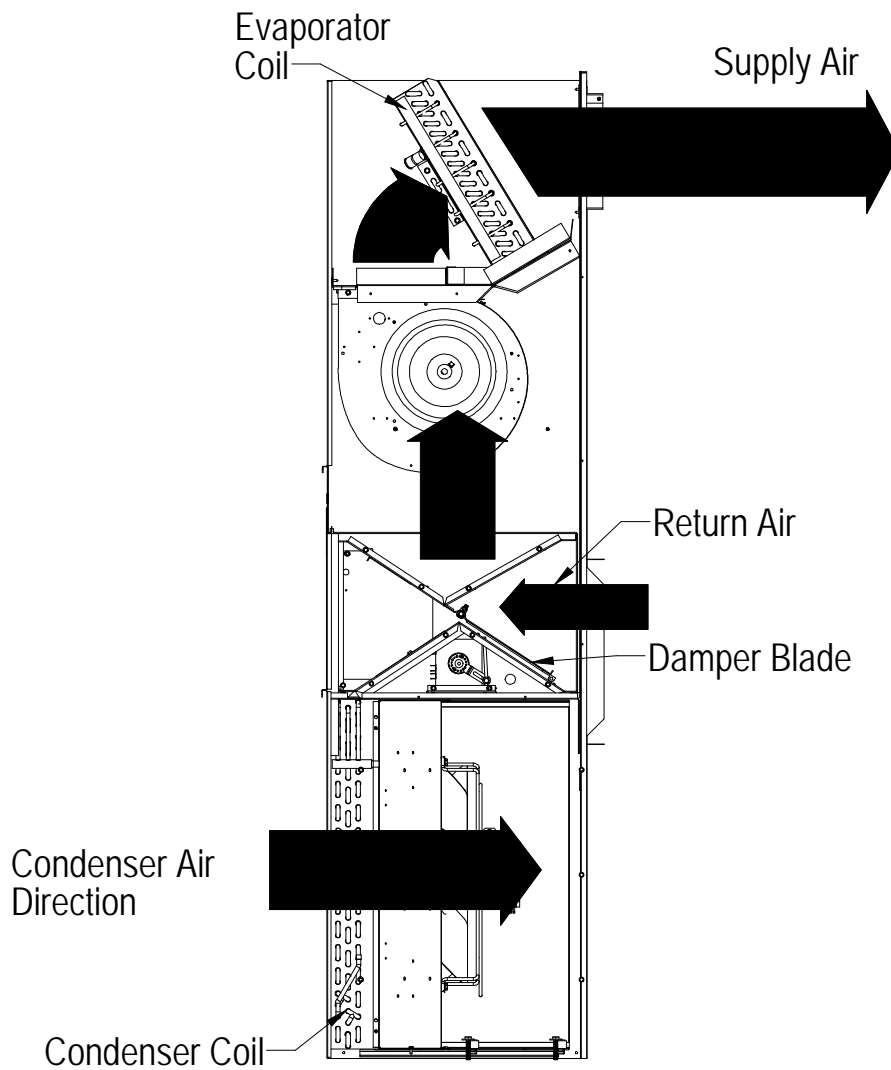
**FIGURE 7
CALL FOR VENTILATION
WITH OR WITHOUT COMPRESSOR OPERATION**



MIS-2829 A

A call for 1st stage cooling or heating cycles the compressor, and the dampers reposition to the Potentiometer #2 setpoint. On loss of blower operation, CRV closes fully. See Figure 8.

**FIGURE 8
CALL FOR COMPRESSOR OR FAN ONLY
WITH VENTILATION OFF**



MIS-2835 A